

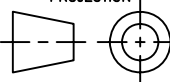

REVISIONS					
REV	ACTION	DRAWN	CHECKED	APPROVED	DATE
AK	D12376	KASTNER	KASTNER	HOLLAND	01/12/05
AL	D20083	ROBERTSON	ROBERTSON	BUSHNELL	06/11/14
AM	D20704	KASTNER	KASTNER	BUSHNELL	07/08/22

PULSER
50 REV, IMAC
2011855-001
2011855-003

PULSER
100 REV, IMAC
2011855-002
2011855-004

FCU
(PULSE INPUT METER)
66XX/64XX/67XX/62XX

FCU
LINEAR METER
XFC6201EX

ASSEMBLY/QUANTITY	ITEM NO.	PART NUMBER	DESCRIPTION	REF/ZONE DESIG MATERIAL	UNIT MEAS												
DO NOT SCALE DRAWING	UNLESS OTHERWISE SPECIFIED DIMENSIONS ARE IN INCHES TOLERANCES ARE: DECIMAL ANGULAR .XX ± - ± - .XXX ± --		PRODUCT LINE TOTALFLOW®	LEVEL 3													
THIRD ANGLE PROJECTION 	BREAK ALL SHARP CORNERS AND EDGES DIMENSIONS APPLY BEFORE FINISH		DESIGN G. HOLLAND	DATE 90/08	 TOTALFLOW Products WIRING & INTERCONNECT PULSER IMAC/MAG-PICKUP AMP WI												
			DRAWN S. SMITH	90/08													
			CHECKED HOLTSCRAW	90/09													
			APPROVED G. HOLLAND	90/09/07	<table border="1"> <tr> <td>SCALE</td> <td>SIZE</td> <td>DOC TYPE</td> <td>DRAWING NO.</td> <td>REV</td> <td>SHEET</td> </tr> <tr> <td>NONE</td> <td>B</td> <td>WI</td> <td>2102670</td> <td>AM</td> <td>1 OF 3</td> </tr> </table>	SCALE	SIZE	DOC TYPE	DRAWING NO.	REV	SHEET	NONE	B	WI	2102670	AM	1 OF 3
SCALE	SIZE	DOC TYPE	DRAWING NO.	REV	SHEET												
NONE	B	WI	2102670	AM	1 OF 3												

PULSER (IMAC)
 PULSIMATIC
 PULSES PER REV:
 1/2, 1, 2, 5,
 10, 20, 50

MODEL

ELEK PCBA

TERM PCBA

6413/6414

2015333-XXX
 (6400DB)
 2100204-XXX
 (CB195)
 2102838-XXX
 (XFC G4)

6713/6714

2015382-XXX

66XX

2010232-XXX

6490/6890

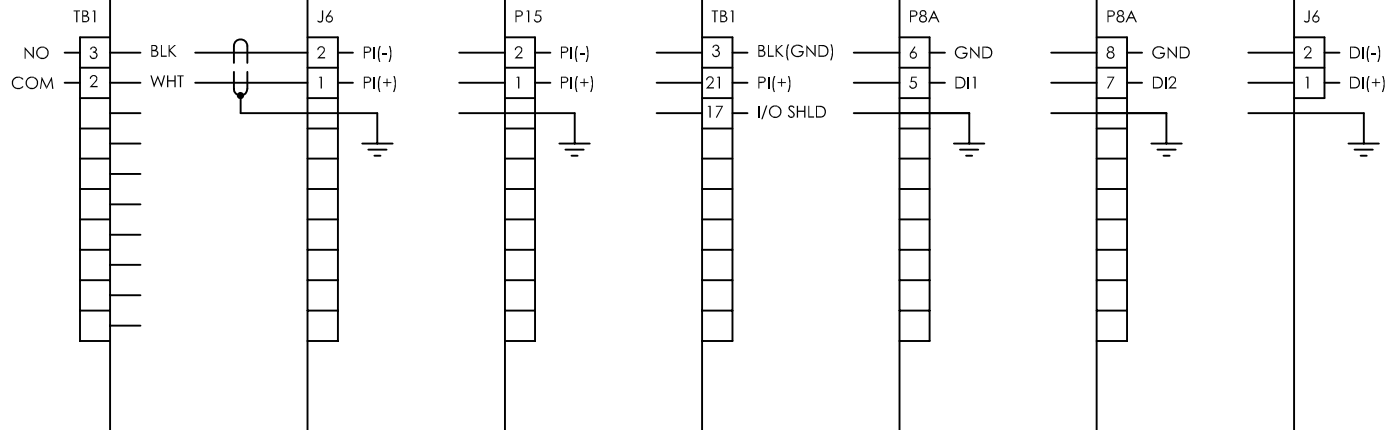
2100355-XXX
 (RTU195)
 2103022-XXX
 (XRC G4)

6490/6890

2100355-XXX
 (RTU195)
 2103022-XXX
 (XRC G4)

XFC6201EX

2101873-XXX



PULSER (IMAC)
 PULSMATIC
 PULSES PER REV:
 100

MODEL
 ELEK PCBA
 TERM PCBA
 COMM
 I/O OPTION
 PCBA

6413/6414
 2015333-XXX
 (6400DB)
 2100204-XXX
 (CB195)
 2102838-XXX
 (XFC G4)

6713/6714
 2015382-XXX

66XX
 2010232-XXX

6490/6890
 2100355-XXX
 (RTU195)
 2103022-XXX
 (XRC G4)

6490/6890
 2100355-XXX
 (RTU195)
 2103022-XXX
 (XRC G4)

XFC6201EX
 2101873-XXX

