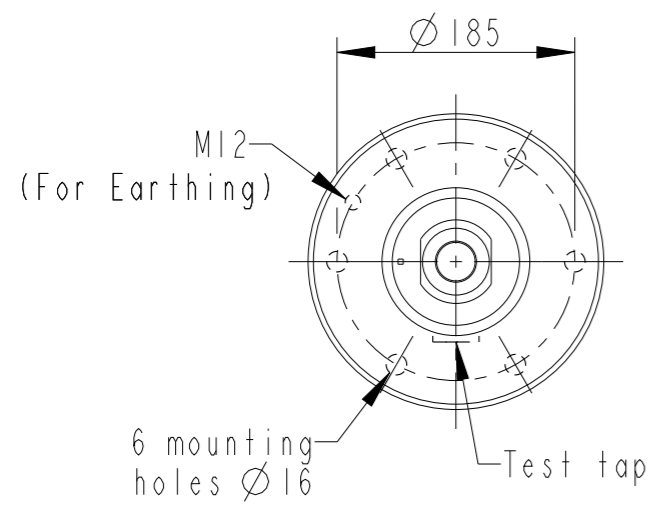
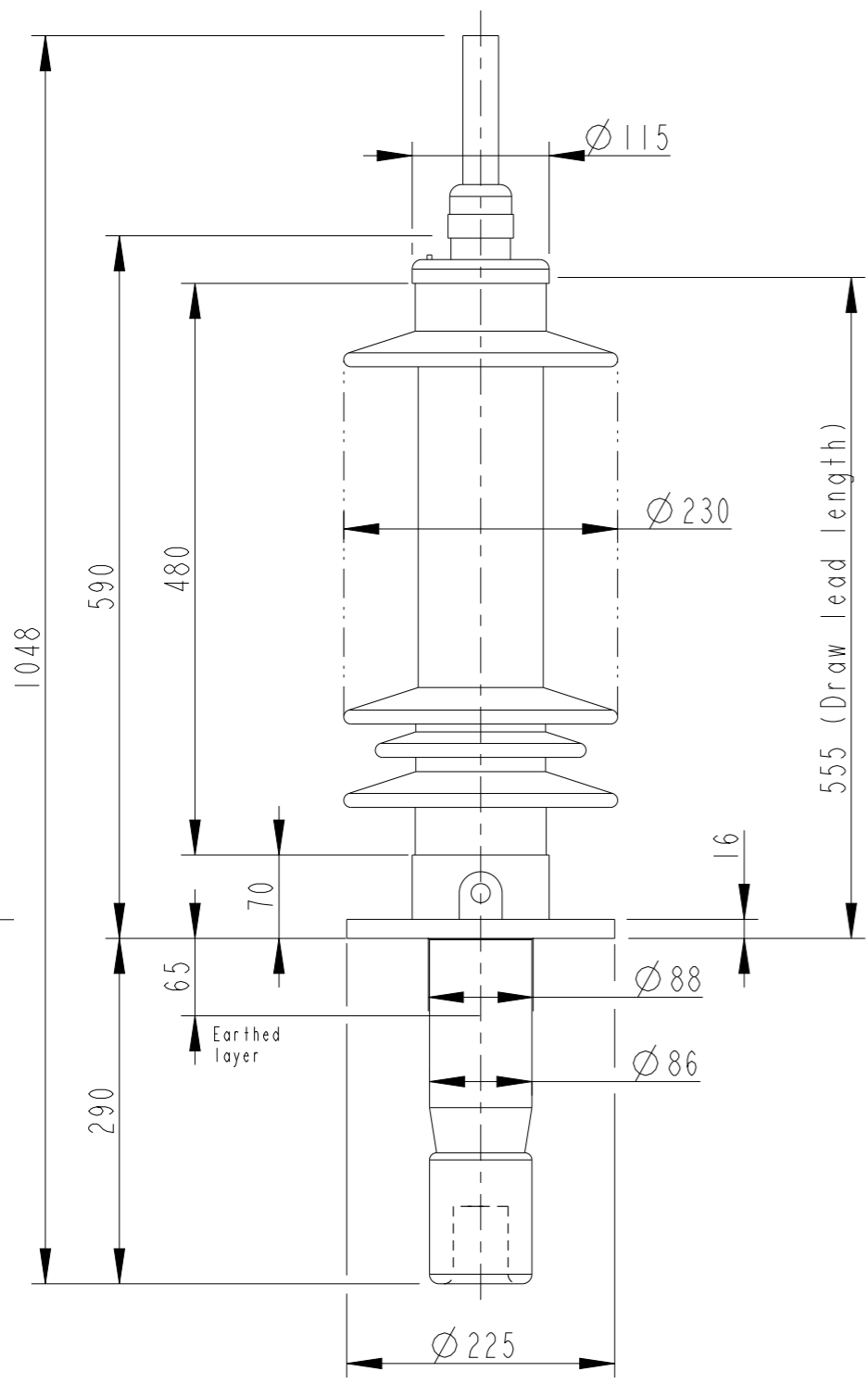


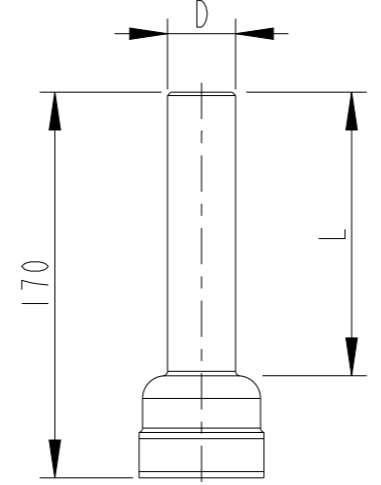
This document is issued by means of a computerized system. The digitally stored original is electronically approved. The approved document has a date entered in the "Approved"-field. A manual signature is not required.

We reserve all rights in this document and in the information contained therein. Reproduction, use or disclosure to third parties without express authority is strictly forbidden.

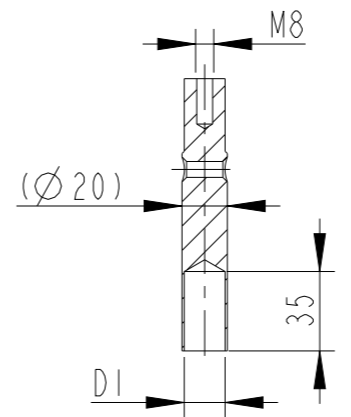
Revision	Revision text
C	Removed Alt.2, Changed the Phase to ground voltage from 52 to 30kV



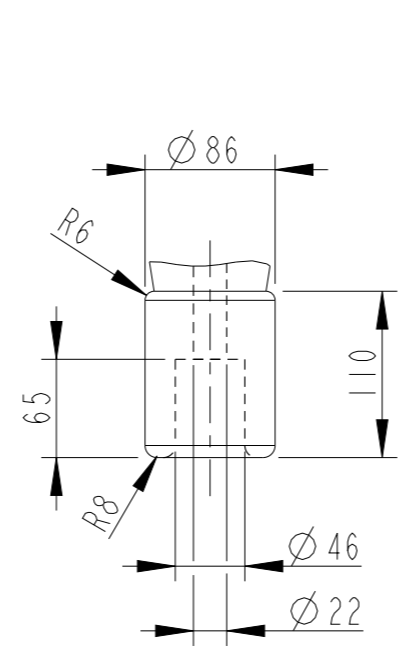
### OUTER TERMINAL



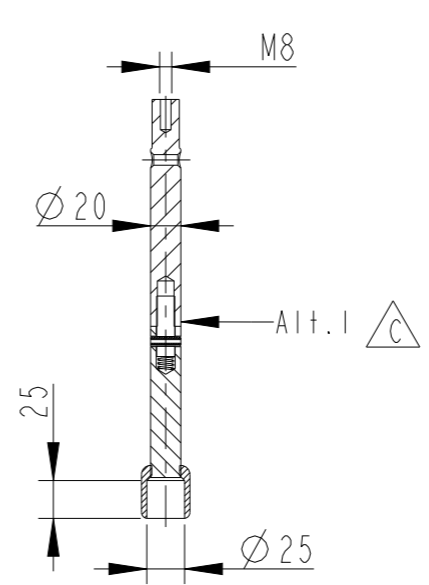
### INNER TERMINAL FOR STRANDED CABLE



### END SHIELD



### SOLID ROD CONNECTOR



The solid rod can be divided either:  
Alt.1: 20mm below the bushing flange

### Bushing Data:

Rated Voltage	52	kV
Phase to Ground Voltage	$\triangle C$ 30	kV
Dry Lightning Impulse 1,2/50 $\mu$ s	250	kV
Wet power frequency AC	105	kV
Routine test Imin dry 50Hz	120	kV
Rated Current	800	A
Creepage Distance	1690 $\pm$ 50	mm
Creepage Distance Protected	650	mm
Mass	23	kg

### Ordering Data:

<b>BUSHING</b>	COLOUR AIR INSULATOR
LF123013-M	BROWN
-N	LIGHT GREY
<b>OUTER TERMINAL</b>	Material D L
LF 170 002-A	Cu alloy $\varnothing 30$ 125
LF 170 001-A	Al $\varnothing 30$ 125
OTHER TYPES ON REQUEST	

### INNER TERMINAL FOR STRANDED CABLE

<b>For brazing</b>	Conductor area	D1
LF 170 011-S	up to 150mm <sup>2</sup>	$\varnothing 18$
LF 170 011-U	Undrilled with pilot hole	$\varnothing 5$
<b>For crimping or brazing</b>	Conductor area	D1
LF 170 010-M	50mm <sup>2</sup>	$\varnothing 11$
LF 170 010-N	70mm <sup>2</sup>	$\varnothing 13$
LF 170 010-L	95mm <sup>2</sup>	$\varnothing 15$

### SOLID ROD CONNECTOR

LF 170 019 -A for Alt.1	Material	Cu
Note: Mounting inclination 0-45°. For inclined and horizontal mounting, see Installation and Maintenance Guide.		

ABB		Ludvika, Sweden	
No.	Um	kV Ir	A 50/60 Hz
○	BIL	kV SL	kV AC
	M	kg L	mm ✓
	C1	pF Tan $\delta$	x
	C2	pF Tan $\delta$	x

Created by Balaji.G.R	Reviewed by Joakim Persson	Approved by Natalia Gutman
Approved 2020-01-08	Document Kind Outline Drawing	Based on doc.id Work order id Project id
Company ABB Technology Ltd	Title, Supplementary title GOB 250-800-0 WITHOUT OIL LEVEL GAUGE LONG END SHIELD	
Responsible Department SEABB-9AAE300824	Document id 2751369-110	Status Released
<b>ABB</b>	Revision C	Iteration 1/1
	Sheet 1/1	