



P12RE

Two Part Remote Detector Photocell

Key Features

- Low power consumption
- Robust controller with test facility
- 300 mm standard lead length
- Durable polycarbonate casing
- Suitable for use with LED, halogen or discharge lighting

Applications

- Bulkhead lighting
- Security lighting
- Floodlighting
- Tunnel & underpass lighting
- Car park lighting

The P12RE remote detector photocell is specifically designed for street and amenity lighting applications requiring a high level of accuracy and reliability combined with low power consumption.

The photocell is supplied in two parts, with a compact detector connected to a robust controller housing, to permit installation in lamps where space is limited, whilst the controller can be sited in a convenient, easy to reach location.

With a durable, miniature polycarbonate casing, the P12RE is suited to amenity, road tunnel and underpass applications needing remote switching, control and testing of lighting units.

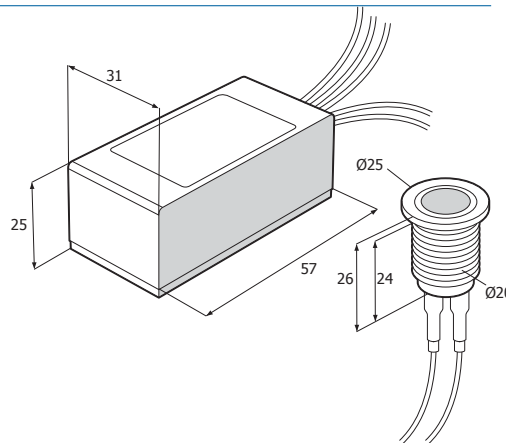


P12RE Two Part Remote Detector Photocell

Technical Specification

Specification	Description
Sensor type	CDS detector
Sensor control	Discrete component
Standard switching level	70 lux 'On', 105 lux 'Off'. Alternative settings can be factory pre-programmed on request
Switching differential	1:1.5, positive only
Operating voltage range	220-270 Vac, 50/60 Hz
Maximum lamp load	2 x 250 W inductive (60 µF), 2000 W resistive
Power consumption	0.6 W
Operating temperature range	-20 °C to +60 °C
Ingress protection	IP65 (lens), IP54 (casing)
Options	Switching levels factory pre-programmable to suit customer requirements 110-120 Vac units 12, 24 & 48 Vdc units
Approvals	RoHS compliant. CE marked and compliant with EMC emission and immunity standards Designed to meet the requirements for UMSUG code 94 0001 0000 100
Dimensions	L x W x D 57 x 31 x 25 mm Dia. x D 25 x 26 mm (photocell)

For product order codes or to discuss project requirements, please contact Thomas & Betts or your local representative.



Royce Thompson is the leading photo-electronic lighting controls brand from Thomas & Betts, supporting the street and amenity lighting industry since 1963.

Continuous focus on the provision of high quality, innovative products to the market ensures Royce Thompson photocells offer the best in low energy consumption, reliability and long life - helping you, the customer, achieve optimum performance whilst keeping your carbon footprint to a minimum.



Product selection

Product	P12RE
Description	Two part remote detector photocell

Individual product order codes subject to final product specification. Codes can be supplied on request from Thomas & Betts. To discuss project requirements, please contact your local representative or Thomas & Betts on (0)113 281 0600.

Warranty of all Royce Thompson products is subject to the standard Thomas & Betts terms & conditions of sale.



FM09470

Thomas & Betts Ltd

Royce Thompson
Bruncliffe Lane
Leeds
West Yorkshire LS27 9LL

Tel: +44 (0)113 281 0600
Fax: +44 (0)113 281 0611
roycethompson@tnb.com
www.roycethompson.com