



Earthing & lightning protection Circular standing seam roof fixing



Furse circular standing seam roof fixing

Innovative and versatile fixing solutions for profiled roofing



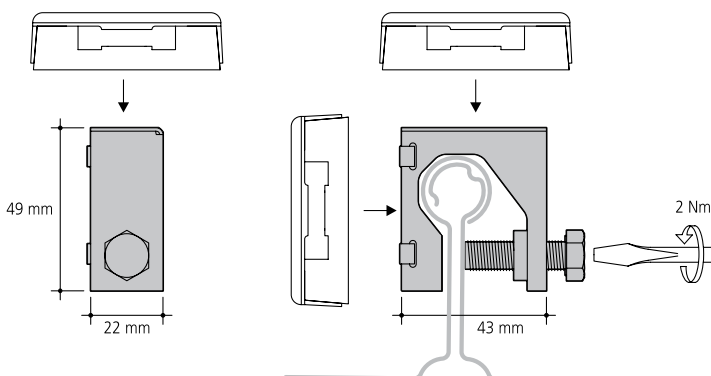
Furse, the world-leading earthing and lightning protection brand of ABB, delivers innovative solutions for protecting structures from lightning, including our circular standing seam fixing for use on profiled roofing systems such as Kalzip.

This highly versatile design offers a durable spring steel holdfast attached to a number of standard Furse conductor fixings and connection components, which enables either bare or PVC covered conductors to be firmly secured to circular standing seam profiled roofing systems such as Kalzip.

Quick and easy to install, this design delivers an effective solution for lightning protection of circular standing seam roofs, without compromising the integrity of the roof.

Features & benefits

- Standard range includes metallic and non-metallic clips, and metallic clamps for 25 x 3 mm tape
- Quick and easy to install
- High mechanical strength
- Maximum seam width 22 mm
- Corrosion resistant coating to 1,000 hours

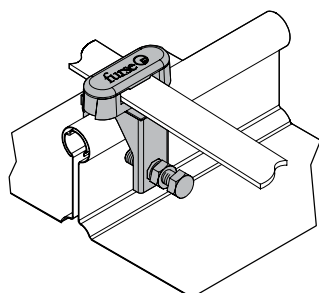




Standing seam roof fixing with DC tape clip

Part no.	Conductor size (mm)	Clip colour	Conductor material	Weight each (kg)
Non-metallic clip for use with bare tape				
SC015	25 x 3	Brown	Copper	0.076
SC020	25 x 3	Grey	Aluminium	0.076
Metallic clip for use with bare tape				
SC210-H	25 x 3	-	Copper	0.08
SC110-H	25 x 3	-	Aluminium	0.07
Non-metallic clip for use with PVC covered tape				
SC025	25 x 3	Brown	Copper/Aluminium	0.076
SC030	25 x 3	Black	Copper/Aluminium	0.076
SC035	25 x 3	Green	Copper/Aluminium	0.076
SC040	25 x 3	Grey	Copper/Aluminium	0.076
SC045	25 x 3	Stone	Copper/Aluminium	0.076
SC050	25 x 3	White	Copper/Aluminium	0.076
Metallic clip for use with PVC covered tape				
SC215-H	25 x 3	-	Copper	0.09

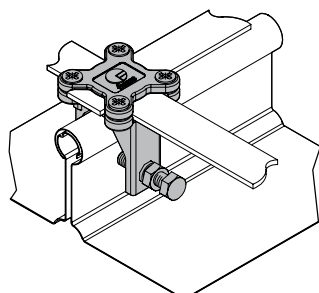
- Highly versatile, innovative standing seam roof fixing including DC tape clip, suitable for use on circular standing seam profiled roofing structures up to 22 mm thickness. Use with bare and PVC covered copper and aluminium conductors.
- Metallic clips not illustrated. Drawing available on request



Standing seam roof fixing with square tape clamp

Part no.	Conductor size (mm)	Conductor material	Weight each (kg)
SC105-H	25 x 3	Copper	0.18
SC005-H	25 x 3	Aluminium	0.12

- Highly versatile, innovative standing seam roof fixing including square tape clamp, suitable for use on circular standing seam profiled roofing structures up to 22 mm thickness. Use with bare and PVC covered copper and aluminium conductors.



Contact us

ABB Ltd

Electrification Products
Tower Court
Courtaulds Way
Foleshill Enterprise Park
Coventry
West Midlands
CV6 5NX
Sales Tel: +44 (0) 333 999 9900
Sales Fax: +44 (0) 333 999 9901
E-Mail: lv.enquiries@gb.abb.com

You can find the address of your local sales unit on the ABB home page:
<http://www.abb.com/contacts>
-> Low Voltage Products & Systems

ABB Furse

Wilford Road
Nottingham
NG2 1EB
Tel: +44 (0) 115 964 3700
Fax: +44 (0) 115 986 0071
E-Mail: enquiry@furse.com

www.furse.com

Note: We reserve the right to make technical changes or modify the contents of this document without prior notice. With regard to purchase orders and/or contracts, the agreed particulars shall prevail. ABB does not accept any responsibility whatsoever for potential errors or possible lack of information in this document.

We reserve all rights in this document and in the subject matter and illustrations contained therein. Any reproduction, disclosure to third parties or utilisation of its contents – in whole or in parts – is forbidden without prior written consent of ABB.

Copyright © 2016 ABB
All rights reserved