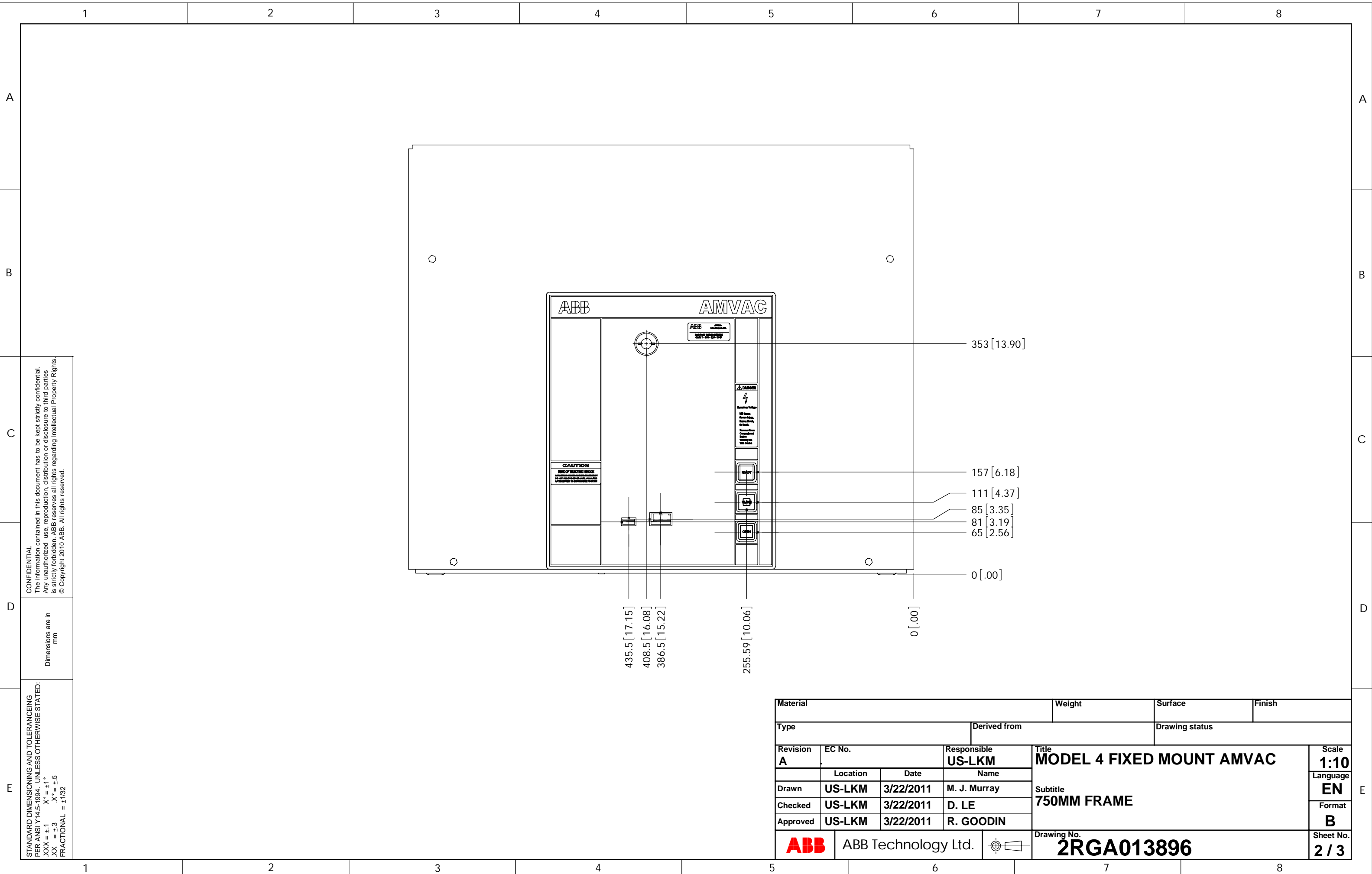


CONFIDENTIAL  
 The information contained in this document has to be kept strictly confidential.  
 Any unauthorized use, reproduction, distribution or disclosure to third parties  
 is strictly forbidden. ABB reserves all rights regarding Intellectual Property Rights.  
 © Copyright 2010 ABB. All rights reserved.

Dimensions are in mm

STANDARD DIMENSIONING AND TOLERANCING  
 PER ANSI Y14.5-1994, UNLESS OTHERWISE STATED:  
 .XXX = ±.1    X° = ±1°  
 .XX = ±.3    .X° = ±.5  
 FRACTIONAL = ±.032

REVISIONS					
Rev.	Description			Date	
A	INITIAL RELEASE			5/5/2011	
Material			Weight	Surface	Finish
Type			Derived from		Drawing status
Revision	EC No.	Responsible		Title	
A		US-LKM		MODEL 4 FIXED MOUNT AMVAC	
Drawn		Location	Date	Name	Scale
US-LKM		3/22/2011	M. J. Murray		1:10
Checked		US-LKM	3/22/2011	D. LE	Language
Approved		US-LKM	3/22/2011	R. GOODIN	EN
				Format	
				B	
Drawing No.			Sheet No.		
ABB ABB Technology Ltd.			2RGA013896		
			1 / 3		



CONFIDENTIAL  
 The information contained in this document has to be kept strictly confidential. Any unauthorized use, reproduction, distribution or disclosure to third parties is strictly forbidden. ABB reserves all rights regarding Intellectual Property Rights. © Copyright 2010 ABB. All rights reserved.

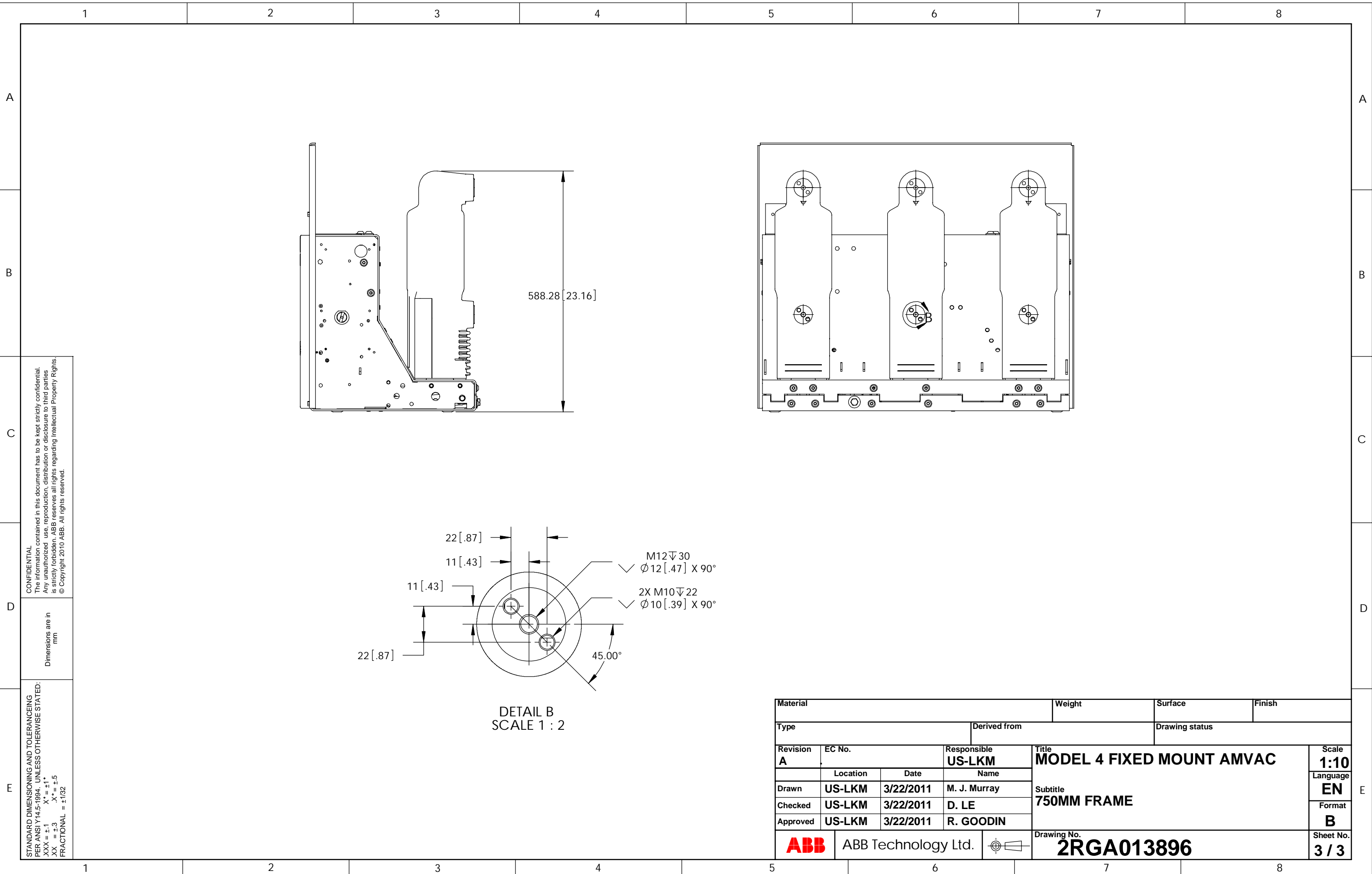
Dimensions are in mm

STANDARD DIMENSIONING AND TOLERANCING PER ANSI Y14.5-1994, UNLESS OTHERWISE STATED:  
 .XXX = ±.1 X\* = ±1°  
 .XX = ±.3 X\* = ±.5  
 FRACTIONAL = ±1/32

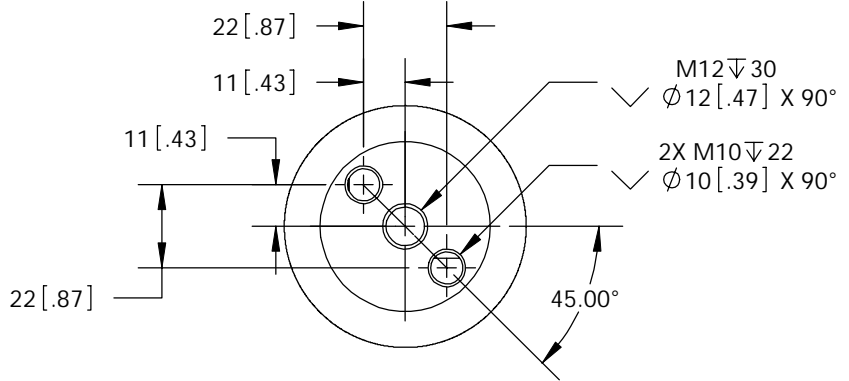
435.5 [17.15]  
 408.5 [16.08]  
 386.5 [15.22]  
 255.59 [10.06]  
 0 [.00]

353 [13.90]  
 157 [6.18]  
 111 [4.37]  
 85 [3.35]  
 81 [3.19]  
 65 [2.56]  
 0 [.00]

Material		Weight		Surface		Finish	
Type				Derived from		Drawing status	
Revision <b>A</b>	EC No.		Responsible <b>US-LKM</b>		Title <b>MODEL 4 FIXED MOUNT AMVAC</b>		Scale <b>1:10</b>
Drawn	Location <b>US-LKM</b>	Date <b>3/22/2011</b>	Name <b>M. J. Murray</b>		Subtitle <b>750MM FRAME</b>		Language <b>EN</b>
Checked	<b>US-LKM</b>	<b>3/22/2011</b>	<b>D. LE</b>				Format <b>B</b>
Approved	<b>US-LKM</b>	<b>3/22/2011</b>	<b>R. GOODIN</b>				
<b>ABB</b>		ABB Technology Ltd.		Drawing No. <b>2RGA013896</b>		Sheet No. <b>2 / 3</b>	



588.28 [23.16]



DETAIL B  
SCALE 1 : 2

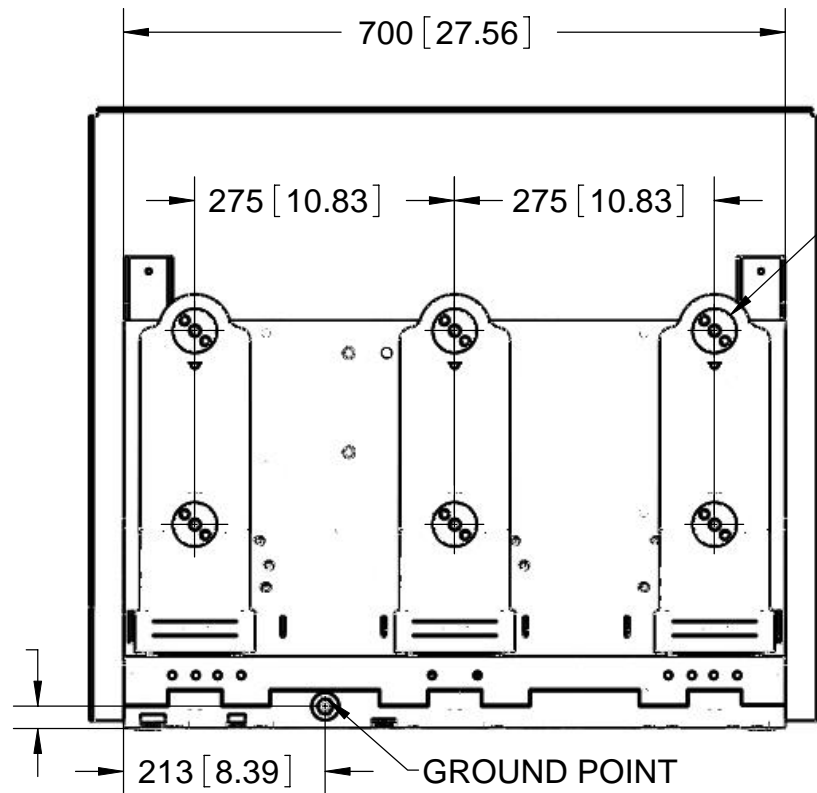
**CONFIDENTIAL**  
The information contained in this document has to be kept strictly confidential. Any unauthorized use, reproduction, distribution or disclosure to third parties is strictly forbidden. ABB reserves all rights regarding Intellectual Property Rights. © Copyright 2010 ABB. All rights reserved.

Dimensions are in mm

**STANDARD DIMENSIONING AND TOLERANCING PER ANSI Y14.5-1994. UNLESS OTHERWISE STATED:**  
XXX = ±.1 X° = ±1°  
XX = ±.3 X° = ±.5  
FRACTIONAL = ±.032

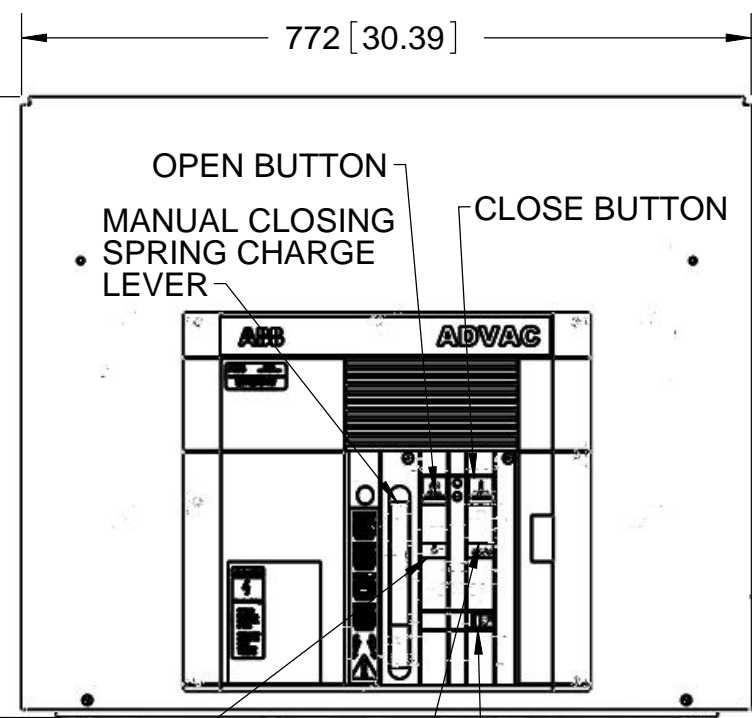
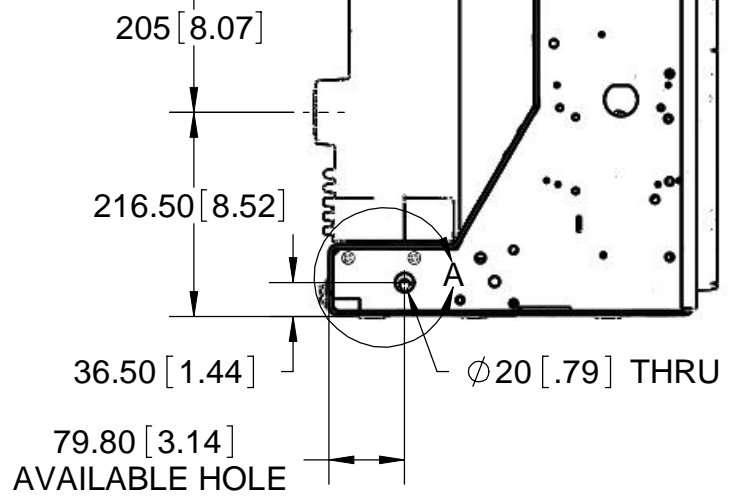
Material			Weight	Surface	Finish
Type			Derived from		Drawing status
Revision <b>A</b>	EC No.	Responsible <b>US-LKM</b>	Title <b>MODEL 4 FIXED MOUNT AMVAC</b>		Scale <b>1:10</b>
Drawn	<b>US-LKM</b>	<b>3/22/2011</b>	Name <b>M. J. Murray</b>		Language <b>EN</b>
Checked	<b>US-LKM</b>	<b>3/22/2011</b>	Name <b>D. LE</b>		Format <b>B</b>
Approved	<b>US-LKM</b>	<b>3/22/2011</b>	Name <b>R. GOODIN</b>		Sheet No. <b>3 / 3</b>
<b>ABB</b> ABB Technology Ltd.			Drawing No. <b>2RGA013896</b>		

NOTES:



6X Ø45 [1.77]

P1 POLE



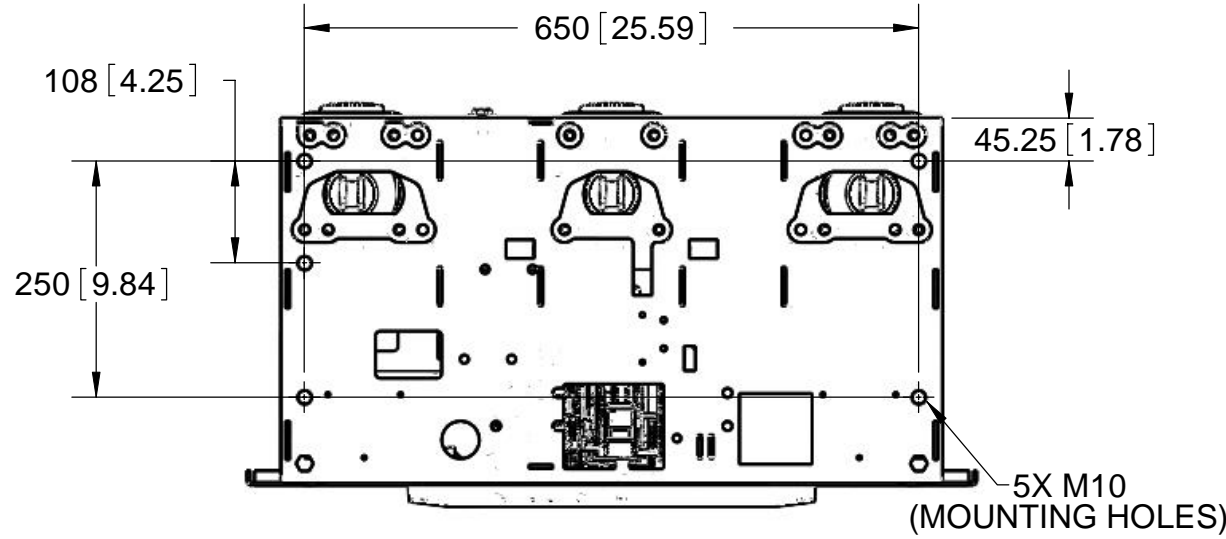
24 [.94]

GROUND POINT

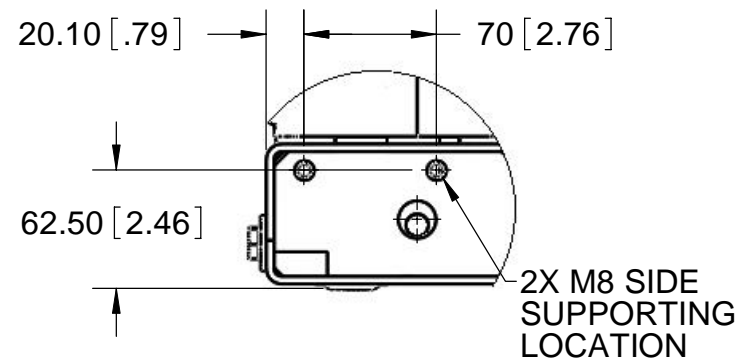
SPRING CHARGE INDICATOR

CLOSE "I" INDICATOR OPEN "O" COUNTER

CONFIDENTIAL  
 The information contained in this document has to be kept strictly confidential. Any unauthorized use, reproduction, distribution or disclosure to third parties is strictly forbidden. ABB reserves all rights regarding Intellectual Property Rights. © Copyright 2011 ABB. All rights reserved.



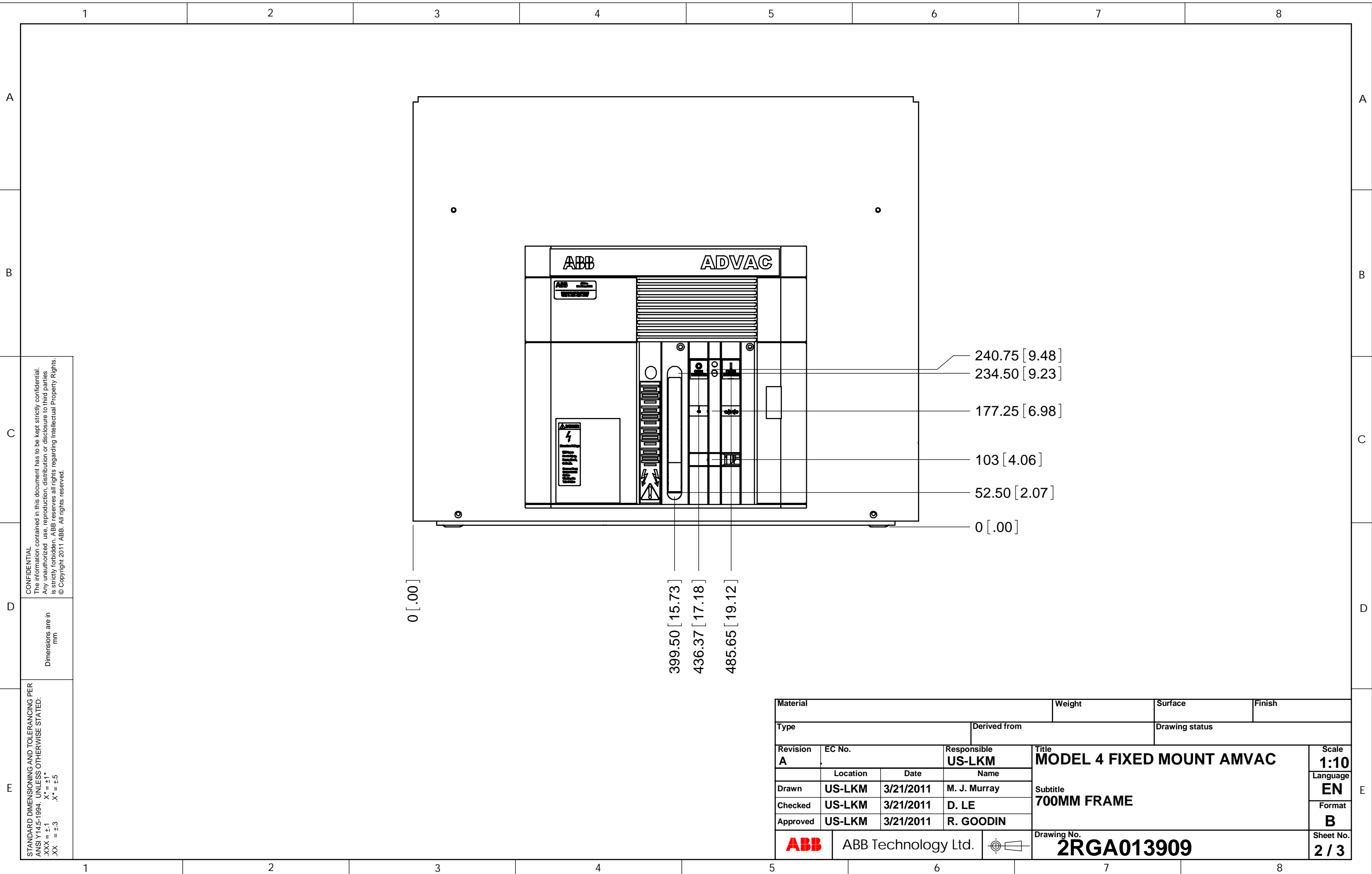
5X M10 (MOUNTING HOLES)



DETAIL A SCALE 1 : 4

Revisions					
Rev.	Description				Date
A	INITIAL RELEASE				03/21/2011
Material		Weight		Surface	Finish
Type			Derived from		Drawing status
Revision	EC No.	Responsible		Title	Scale
A		US-LKM		MODEL 4 FIXED MOUNT AMVAC	1:10
Drawn	Location	Date	Name	Subtitle	Language
	US-LKM	3/21/2011	M. J. Murray	700MM FRAME	EN
Checked	US-LKM	3/21/2011	D. LE		Format
Approved	US-LKM	3/21/2011	R. GOODIN		B
ABB		ABB Technology Ltd.		Drawing No.	Sheet No.
				2RGA013909	1 / 3

STANDARD DIMENSIONING AND TOLERANCING PER  
 ANSI Y14.5-1994, UNLESS OTHERWISE STATED:  
 .XX = ±.40 X = ±1\*  
 .X = ±.8 X\* = ±.5



0 [.00]

399.50 [15.73]

436.37 [17.18]

485.65 [19.12]

240.75 [9.48]

234.50 [9.23]

177.25 [6.98]

103 [4.06]

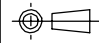
52.50 [2.07]

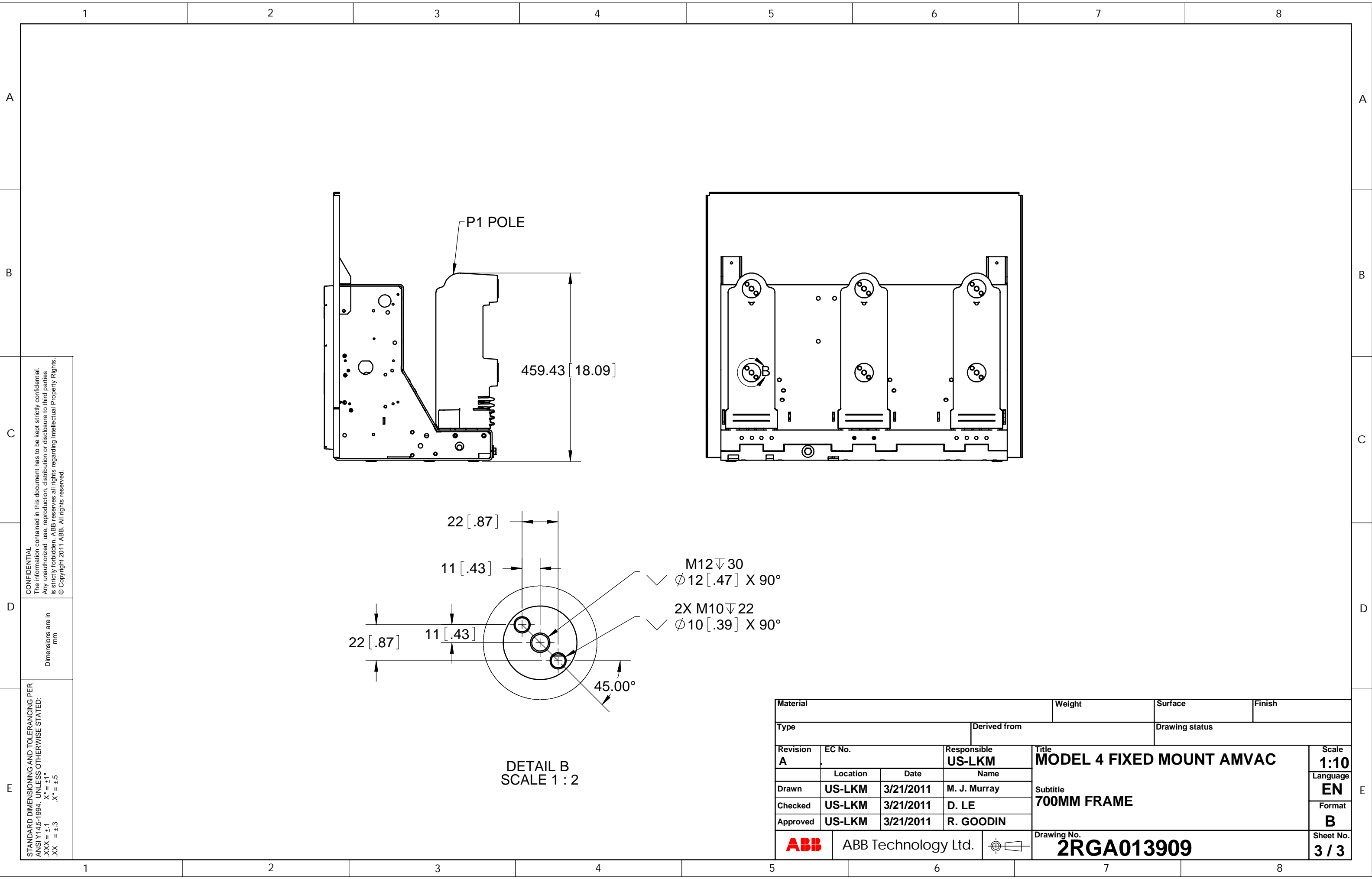
0 [.00]

**CONFIDENTIAL**  
 The information contained in this document has to be kept strictly confidential. Any unauthorized use, reproduction, distribution or disclosure to third parties is strictly forbidden. ABB reserves all rights regarding Intellectual Property Rights. © Copyright 2011 ABB. All rights reserved.

Dimensions are in mm

**STANDARD DIMENSIONING AND TOLERANCING PER ANSI Y14.5-1994. UNLESS OTHERWISE STATED:**  
 .XXX = ±.1  
 .XX = ±.3  
 .X = ±.5  
 X\* = ±1\*  
 .X\* = ±.5

Material		Weight		Surface		Finish	
Type			Derived from			Drawing status	
Revision <b>A</b>	EC No.		Responsible <b>US-LKM</b>		Title <b>MODEL 4 FIXED MOUNT AMVAC</b>		Scale <b>1:10</b>
Drawn	Location <b>US-LKM</b>	Date <b>3/21/2011</b>	Name <b>M. J. Murray</b>		Subtitle <b>700MM FRAME</b>		Language <b>EN</b>
Checked	<b>US-LKM</b>	<b>3/21/2011</b>	<b>D. LE</b>				Format <b>B</b>
Approved	<b>US-LKM</b>	<b>3/21/2011</b>	<b>R. GOODIN</b>				Sheet No. <b>2 / 3</b>
<b>ABB</b>		ABB Technology Ltd.				Drawing No. <b>2RGA013909</b>	



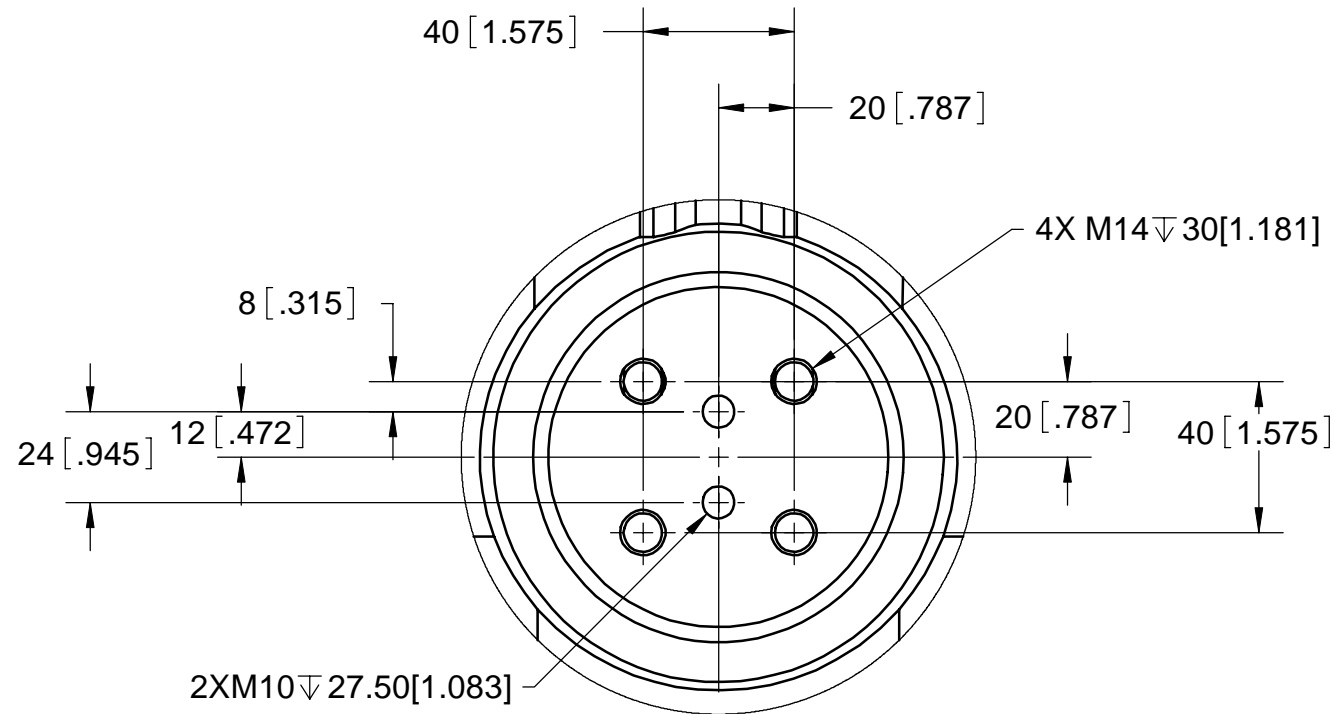
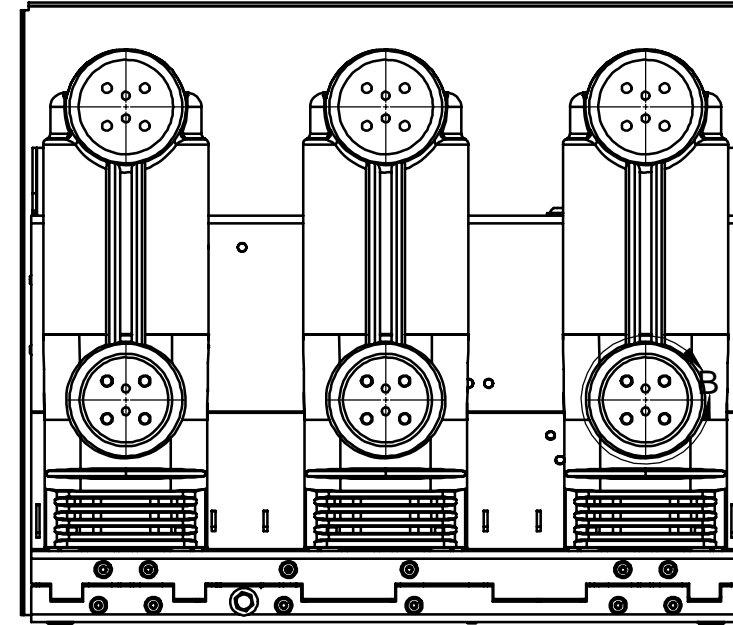
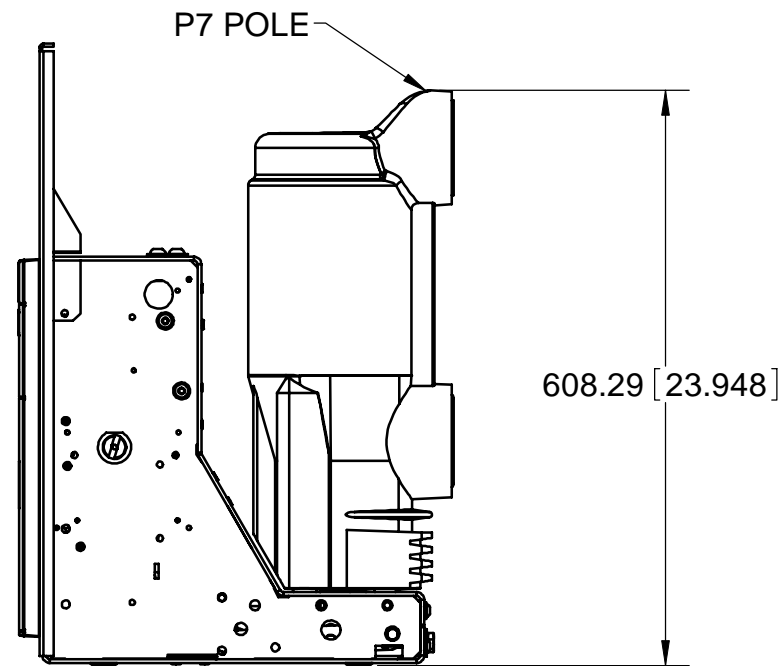
CONFIDENTIAL  
 The information contained in this document has to be kept strictly confidential. Any unauthorized use, reproduction, distribution or disclosure to third parties is strictly forbidden. ABB reserves all rights regarding Intellectual Property Rights. © Copyright 2011 ABB. All rights reserved.

Dimensions are in mm

STANDARD DIMENSIONING AND TOLERANCING PER ANSI Y14.5-1994. UNLESS OTHERWISE STATED:  
 .XXX = ±.1 X\* = ±1\*  
 .XX = ±.3 X\* = ±3

Material		Weight		Surface		Finish	
Type			Derived from			Drawing status	
Revision <b>A</b>	EC No.		Responsible <b>US-LKM</b>		Title <b>MODEL 4 FIXED MOUNT AMVAC</b>		Scale <b>1:10</b>
Drawn	US-LKM	3/21/2011	M. J. Murray		Subtitle <b>700MM FRAME</b>		Language <b>EN</b>
Checked	US-LKM	3/21/2011	D. LE				Format <b>B</b>
Approved	US-LKM	3/21/2011	R. GOODIN				
<b>ABB</b>		ABB Technology Ltd.		Drawing No. <b>2RGA013909</b>		Sheet No. <b>3 / 3</b>	

NOTES:



DETAIL B  
SCALE 1 : 2

REVISIONS					
Rev.	Description				Date
A	INITIAL RELEASE				5/5/2011
Material			Weight	Surface	Finish
Type		Derived from		Drawing status	
Revision	EC No.	Responsible		Title	Scale
A		US-LKM		MODEL 4 FIXED MOUNT	1:10
Drawn	Location	Date	Name	Subtitle	Language
	US-LKM	3/29/2011	M. J. Murray	P7 POLE	EN
Checked	US-LKM	3/29/2011	D. LE		Format
Approved	US-LKM	3/29/2011	R. GOODIN		B
ABB		ABB Technology Ltd.		Drawing No.	Sheet No.
				2RGA013918	1 / 1

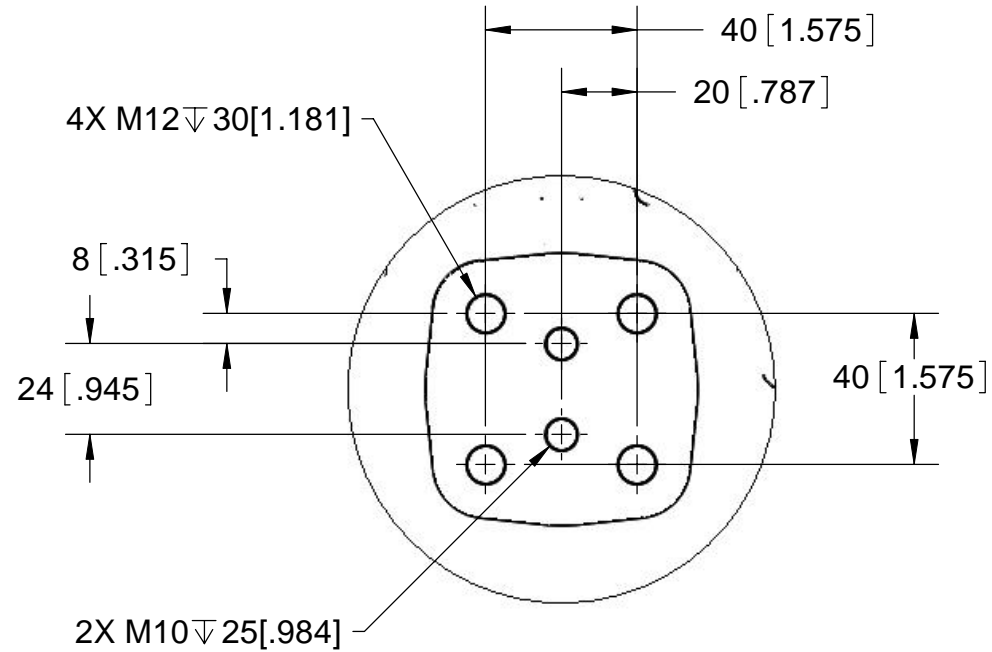
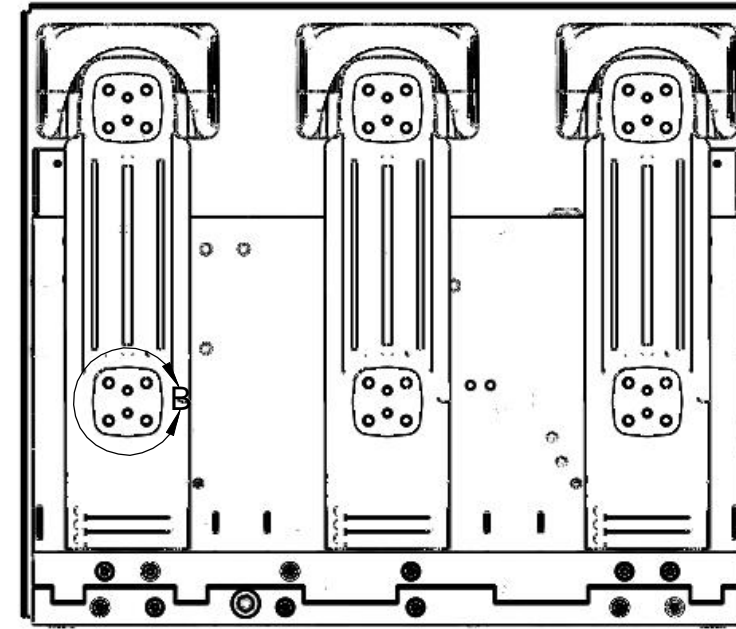
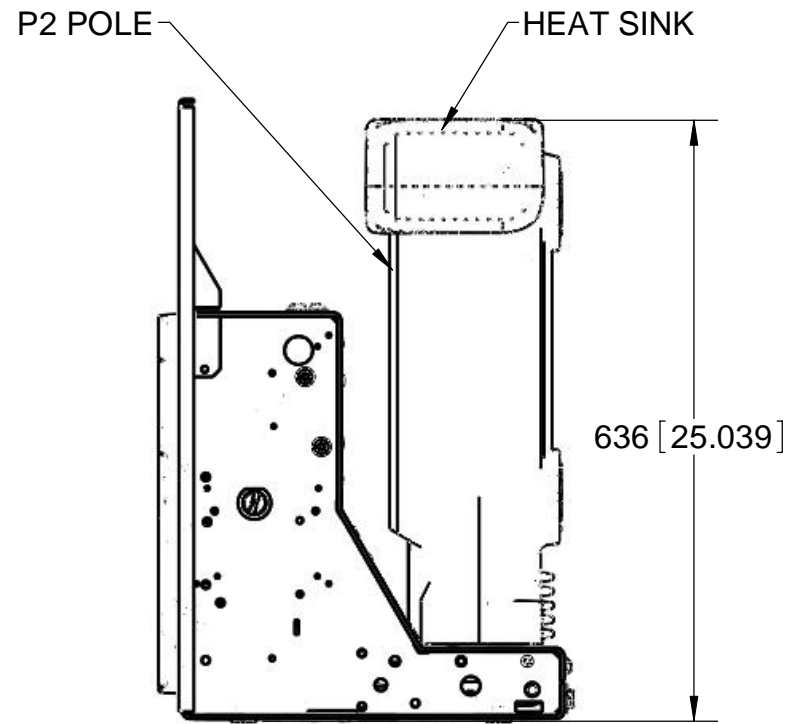
CONFIDENTIAL  
 The information contained in this document has to be kept strictly confidential.  
 Any unauthorized use, reproduction, distribution or disclosure to third parties  
 is strictly forbidden. ABB reserves all rights regarding Intellectual Property Rights.  
 © Copyright 2011 ABB. All rights reserved.

Dimensions are in  
 mm[in.]

STANDARD DIMENSIONING AND TOLERANCING PER  
 ANSI Y14.5-1994, UNLESS OTHERWISE STATED:  
 .XX = ±.40 X = ±1°  
 .X = ±.8 .X\* = ±.5



NOTES:



DETAIL B  
SCALE 1 : 2

CONFIDENTIAL  
 The information contained in this document has to be kept strictly confidential.  
 Any unauthorized use, reproduction, distribution or disclosure to third parties  
 is strictly forbidden. ABB reserves all rights regarding Intellectual Property Rights.  
 © Copyright 2011 ABB. All rights reserved.

Dimensions are in  
 mm[in.]

STANDARD DIMENSIONING AND TOLERANCING PER  
 ANSIS Y14.5-1994, UNLESS OTHERWISE STATED:  
 .XX = ±.40 X = ±1°  
 .X = ±.8 .X\* = ±.5

REVISIONS					
Rev.	Description				Date
A	INITIAL RELEASE				5/5/2011
Material			Weight	Surface	Finish
Type		Derived from		Drawing status	
Revision <b>A</b>	EC No.	Responsible <b>US-LKM</b>		Title <b>MODEL 4 FIXED MOUNT</b>	
Drawn	US-LKM	Date 3/29/2011	Name M. J. Murray	Subtitle <b>P2 POLE WITH HEAT SINK</b>	
Checked	US-LKM	3/29/2011	D. LE		
Approved	US-LKM	3/29/2011	R. GOODIN		
<b>ABB</b>		ABB Technology Ltd.		Drawing No. <b>2RGA013919</b>	Scale <b>1:10</b>
					Language <b>EN</b>
					Format <b>B</b>
					Sheet No. <b>1 / 1</b>