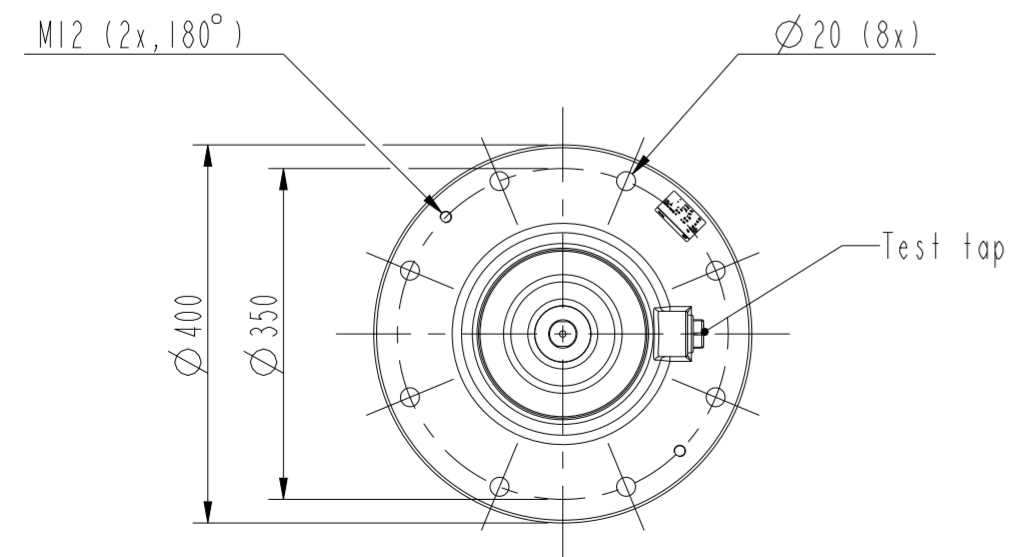
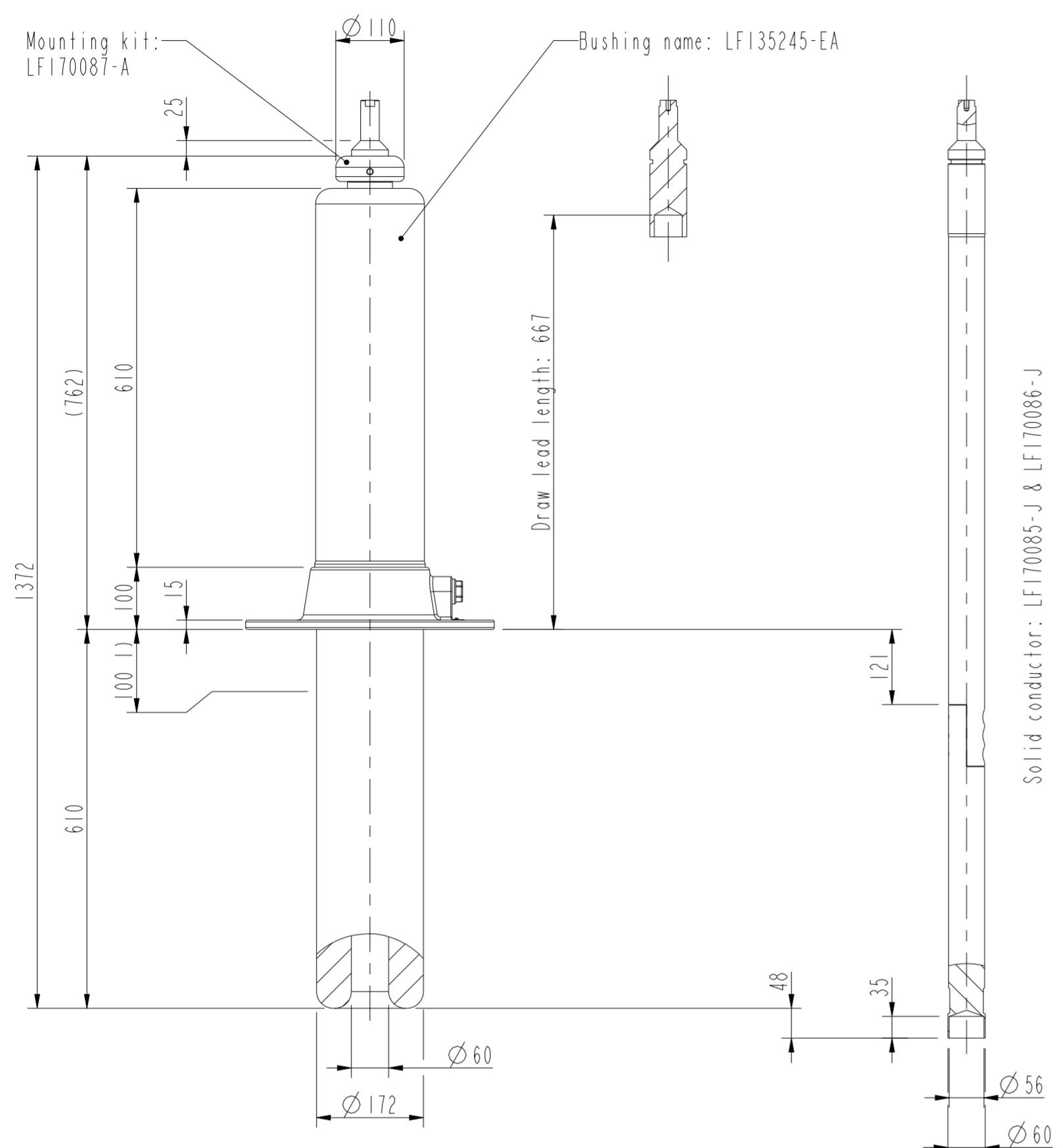


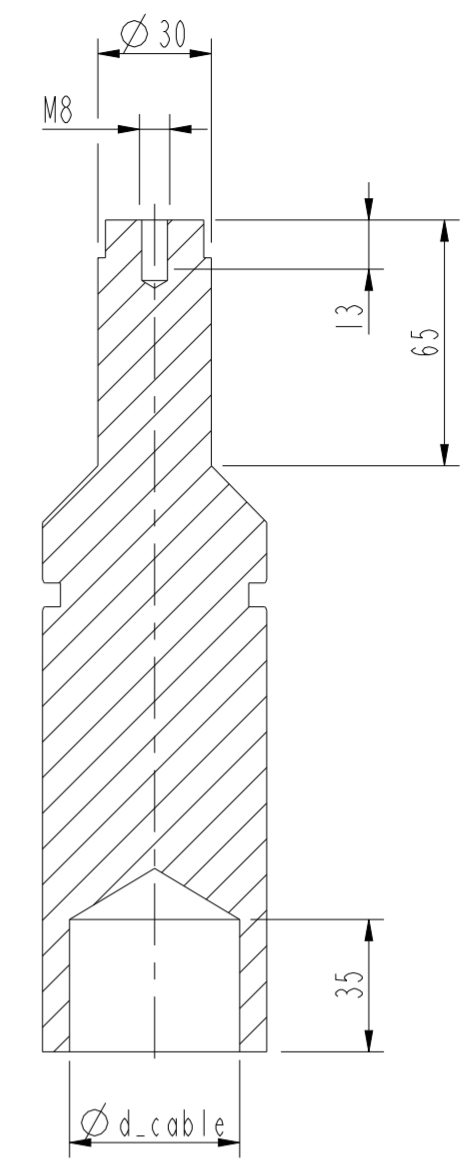
Revision: Revision text  
E Mass updated.



Conductor, upper (Cu)	
Catalog No.	MASS
LF170085-J	23

Conductor, lower (Cu)	
Catalog No.	MASS
LF170086-J	10

Terminal (Cu)	
Catalog No.	d_cable
LF170084-A	5
LF170084-B	11
LF170084-C	13
LF170084-D	15
LF170084-E	18
LF170084-F	30
LF170084-G	42
LF170084-H	45
LF170084-I	50
LF170084-J	54



Solid conductor: LF170085-J & LF170086-J

**ELECTRICAL DATA acc. to IEC 60137**

Ratings	Rated voltage	245	kV
	Max. phase to earth voltage	141	kV
	Max. phase to earth voltage, temporary	196	kV
	Max. current with Cu-conductor	1600	A
	Max. current with stranded cable 1200 mm <sup>2</sup>	1250	A
	Dry lightning impulse	1050	kV
	Switching impulse	850	kV
Routine test	Dry power frequency	505	kV
Capacitance	Nominal capacitance	198	pF

**GENERAL DATA acc. to IEC 60137**

Mass	Mass bushing	37	kg
Cantilever load	Cantilever test load, according to IEC 60137	4000	N
	Max. cantilever operating load, bushing	2000	N
Mounting and service instructions		2750515-138	

**ELECTRICAL DATA acc. to ANSI C57.19.00**

Ratings	Insulation class	230	kV
	Rated max. line to ground voltage	146	kV
	Max. current with Cu-conductor	1600	A
	Max. current with stranded cable 1295 mm <sup>2</sup>	1250	A

Dim. requirements acc. to C57.19.01 not fulfilled

Approved	Document kind	Based on doc. id	Work order id	Project id
2021-06-08	Dimension Drawing			
Company	Title, Supplementary title			
ABB Technology Ltd	Dimension drawing GSA 245-00 1600/0.1			
Responsible Department	Måttskiss GSA 245-00 1600/0.1			
SEABB-9AAE300824				



Document id	Status	Revision	Iteration	Sheet
2751365-EA	Released	E		1/1

**ABB** Ludvika, Sweden

GSA 245-00/1600/0.1 LF135245-EA

No.

Um 245 kV Ir1600 A 50/60 Hz

BIL 1050 kV SIL 850 kV AC 505 kV

M 37 kg L 610 mm √ 0-90°

C1 pF Tan δ x

C2 pF Tan δ x

1) Maximum space for CT.

This document is issued by means of a computerized system. The digitally stored original is electronically approved. The approved document has a date entered in the "Approved"-field. A manual signature is not required.

We reserve all rights in this document and in the information contained therein. Reproduction, use or disclosure to third parties without express authority is strictly forbidden.