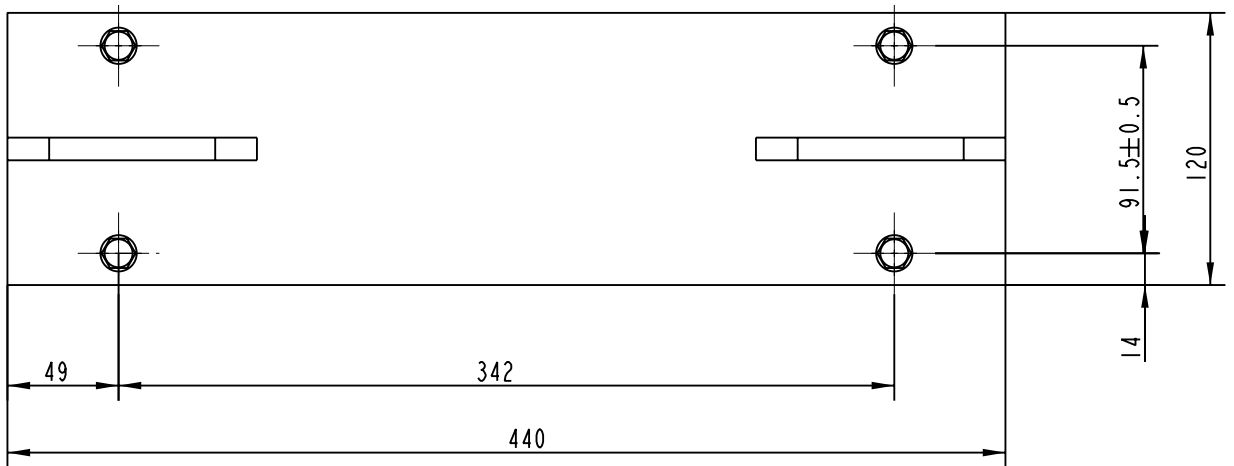
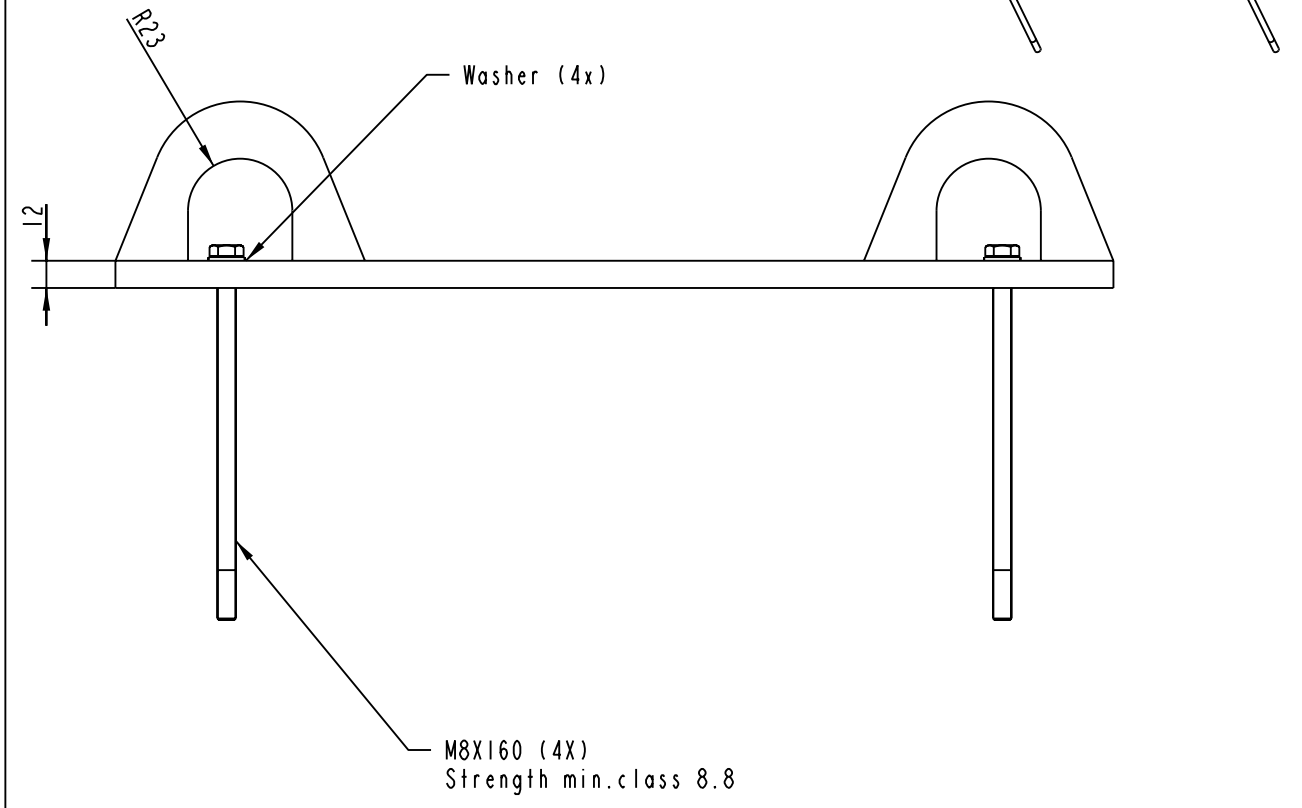


We reserve all rights in this document and in the information contained therein. Reproduction, use or disclosure to third parties without express authority is strictly forbidden.
©ABB

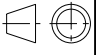

Production engineering review

Inspection engineering review

Design engineering review



Material: Carbon steel
Yield strength minimum 220 N/mm²
Catalogue no: LL117016-K
Max. lifting weight: 140 kg

Based on	Reg. No.	Title LIFTING TOOL FOR ACTIVE PART MOUNTING	 Language en
Prepared B Hultgren 96-08-18	Responsible department COM/TK		
Approved M Eriksson	Take over department	Document No. 54920088-7	Page 1(1)
Revision	Database DIMENSION_DWGS		
 ABB Components			