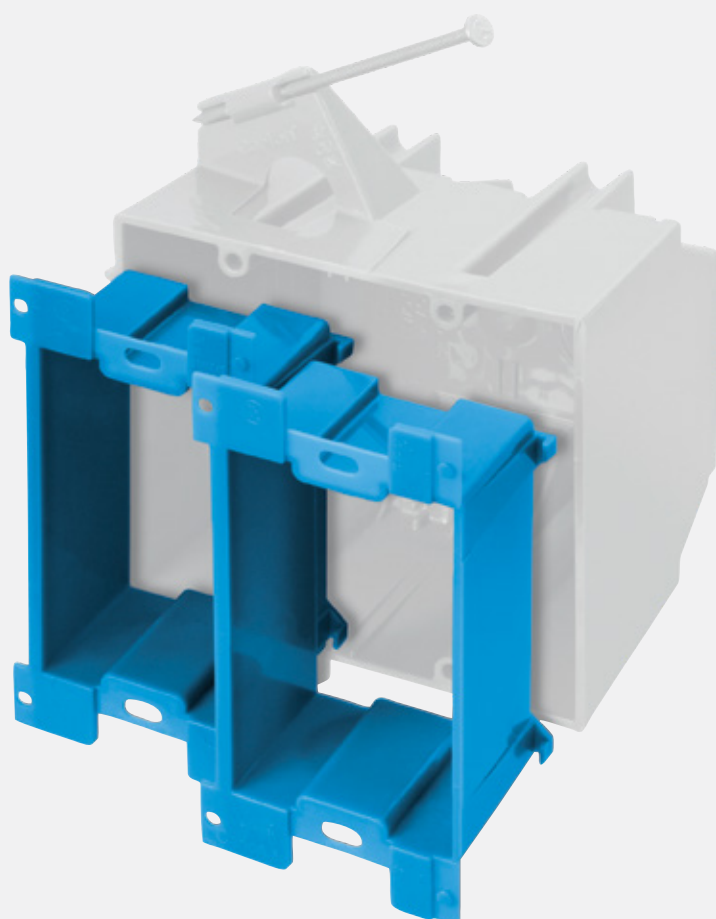


—
PRODUCT SHEET

Carlton® non-metallic single- or multi-gang box extender

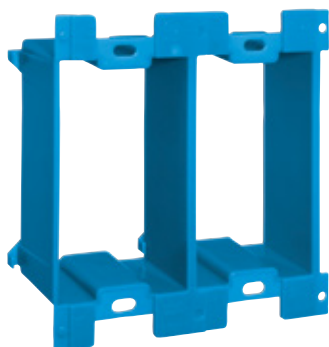


Carlton® non-metallic single- or multi-gang box extender

Use one extender with single-gang boxes — or snap two or more extenders together for multi-gang boxes



Use one extender for a single-gang box.



For multi-gang applications, simply snap multiple extenders together.

The Carlton non-metallic single- or multi-gang box extender is designed to correct a common problem that arises during remodeling — providing a flush finish for electrical boxes that are installed too deep in the wall. What's more, it also addresses multi-gang extension, a problem that previously called for expensive and hard-to-find multi-gang extenders.

The Carlton non-metallic single- or multi-gang box extender provides a one-piece solution that can be used on a single-gang box or combined together for multi-gang applications, so installers in the field will always have the right size extender at hand.

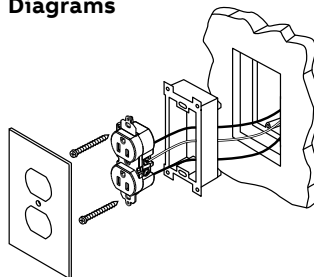
- Extends electrical box set too deep in the wall — ideal for remodeling projects
- Innovative design simplifies installation — no trimming required
- Adjustable mounting depth with maximum extension of 1" provides installation flexibility
- Single solution for single- and multi-gang extension eliminates the need to stock multiple SKUs
- Works with most non-metallic single- and multi-gang wiring boxes and devices
- Ships with two #6–32 x 1¼" screws per extender
- UL Listed; NEC Article 370-20 compliant



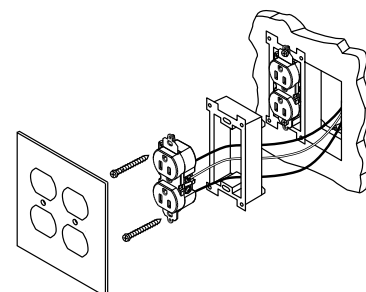
Non-metallic single- or multi-gang box extender

Cat. no.	Description	Std. pkg. qty.	Std. ctn. qty.	UPC no.
B1MGEXT-2	Non-metallic box extender	2	10	034481-01209

Diagrams



Single-gang application



Two-gang application