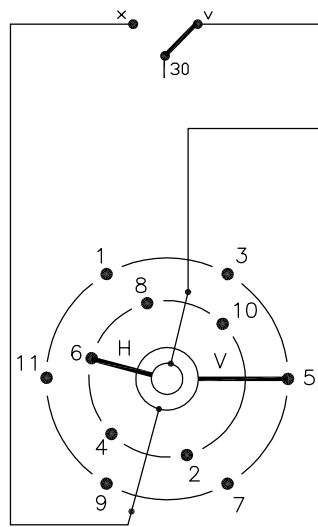
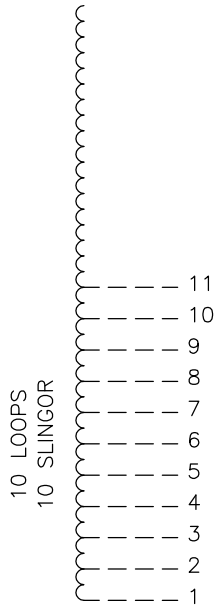


We reserve all rights in this document and in the information contained therein. Reproduction, use or disclosure to third parties without express authority is strictly forbidden.
© ABB '19

On-load tap-changer type UCGL./C, VUCGL./C, 11 tap positions, linear switching.
Max. effective No. of turns in pos. 1.
The tap-changer is delivered set in pos. 6, the preceding pos. was 5.

Lindningskopplare typ UCGL./C, VUCGL./C, 11 lägen, linjär koppling.
Max antal effektiva varv i läge 1.
Lindningskopplaren levereras inställd i läge 6, föregående läge var 5.



Diverter switch
Lastkopplare

Tap selector
Väljare

| Pos. Läge | Tap selector and diverter switch connect | Väljaren och lastkopplaren förbinder |
|--------------|--|--------------------------------------|
| 1 | 1-V-x | 30 |
| 2 | 2-H-v | |
| 3 | 3-V-x | |
| 4 | 4-H-v | |
| 5 | 5-V-x | |
| 6 | 6-H-v | |
| 7 | 7-V-x | |
| 8 | 8-H-v | |
| 9 | 9-V-x | |
| 10 | 10-H-v | |
| 11 | 11-V-x | |

The tap-changer is shown in pos. 6, the preceding pos. was 5.
The tap selector is seen from above.
Contact arm V is located above contact arm H.

Lindningskopplaren visad i läge 6, föregående läge var 5.
Väljaren sedd uppifrån.
Kontaktarm V ligger över kontaktarm H.

Continuous lines show leads included in the tap-changer. Dashed lines show leads belonging to the cleats and leads.

Heldragna linjer visar ledare som ingår i lindningskopplaren. Streckade linjer visar ledare som tillhör anslutningsdonet.

| | | | | |
|---------|-----------------------------|------|------|------|
| 2 | Tap selector pos 12 removed | TOLA | 16 | 03 |
| 1 | VUCG Added. | SUKN | 07 | 47 |
| Rev Ind | Revision | Appd | Year | Week |

| | | | |
|---|---|--|---------------------|
| Accepted by qual control R.Yngvesson | Accepted for prod by | Description (English) CONNECTION DIAGRAM | DATAORIGINAL |
| Design checked by B-O.Stenestam | Drawn by L.Bergman | Description (own language) KOPPLINGSSHEMA | File name 0373-7 |
| Drawing checked by M.Hedlund | Issued by Dept Year Week COM/TKO 97 17 | Lang 1 | Sheet 1 |
| Asea Brown Boveri | | RevInd - | Cont - |

5492 0373-7

| | |
|-------------------|------|
| Sheet | Cont |
| Year | Week |
| Dept | |
| RevInd | |
| Design checked by | |
| Drawn by | |
| Form No. | |