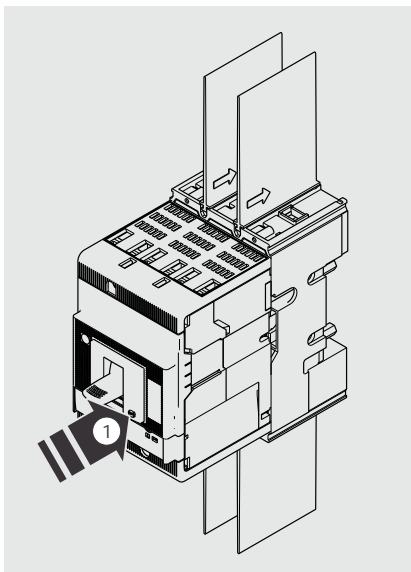


SACE Tmax XT UL

Istruzioni di installazione PF XT4 UL
 Installation instructions PF XT4 UL
 Installationsanleitung PF XT4 UL
 Instructions pour l'installation PF XT4 UL
 Instrucciones de instalación PF XT4 UL

XT4-UL/III-IV

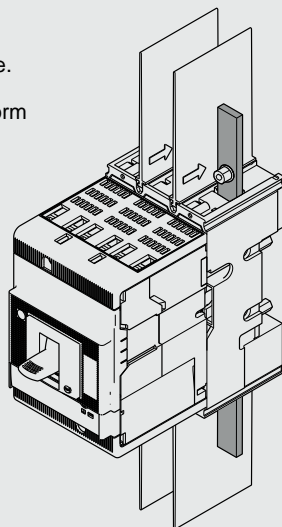


		LENGHT	M	Fixing at 70 mm/2,76"					
		16mm (0.63")	M4	M	M				
				CH 7	CH 7				
				M	M				
				M4	M4				
P	III	x4	x4	x8	x4	x1	-	x4	
	IV	x4	x4	x8	x4	x1	-	x6	
W	III	x4	x4	x8	x4	-	x1	x4	
	IV	x4	x4	x8	x4	-	x1	x6	

A

XT4-UL/III-IV

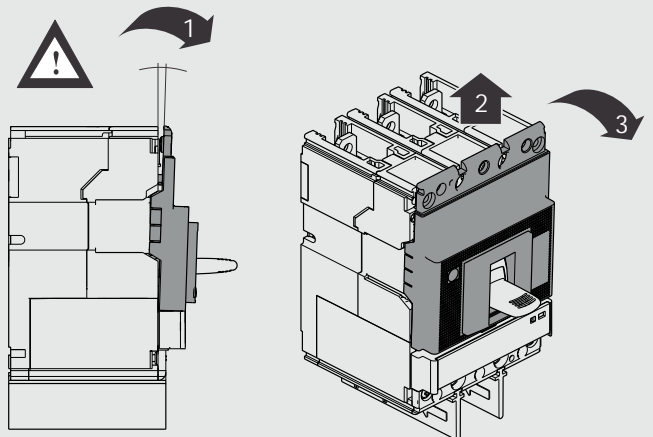
Usare cavi o barre isolate/ o eseguire prove di tipo specifiche sull' installazione.
 Use cable or insulated busbars/ or perform specific type test on the installation.
 Kabel oder isolierte Sammelschienen verwenden / oder die spezifische Typprüfung auf der Installation durchführen.
 Utiliser un câble ou des barres isolées/ ou réaliser un test de type spécifique sur installation.
 Utilizar un cable o barras aisladas / o efectuar una prueba de tipo específico sobre instalación.



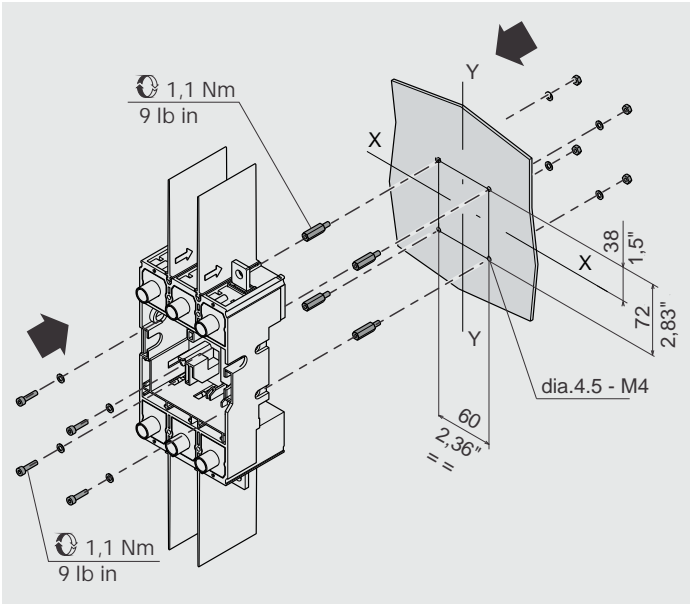
B

XT4-UL/III-IV

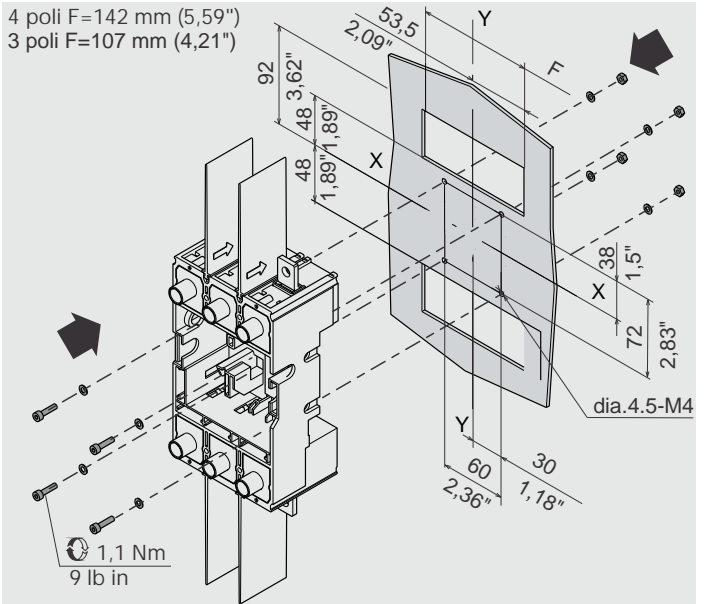
CLICK!
OK!



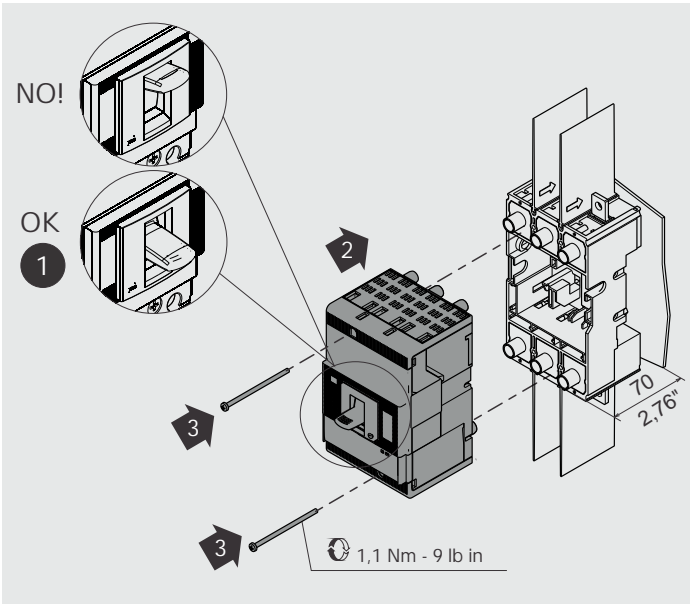
C XT4-UL/III-IV P Fixing at 70mm/2,76"



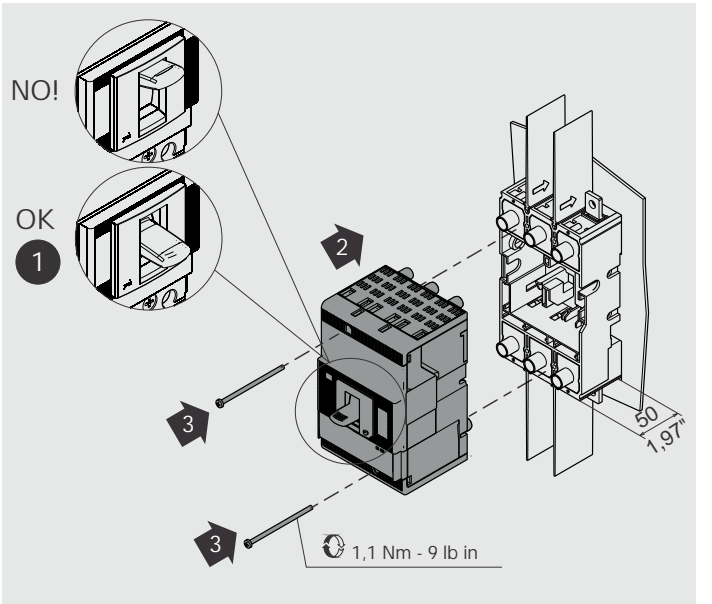
D XT4-UL/III-IV P Fixing at 50mm/1,97"



E XT4-UL/III-IV P Fixing at 70mm/2,76"



F XT4-UL/III-IV P Fixing at 50mm/1,97"



G XT4-UL/III-IV P

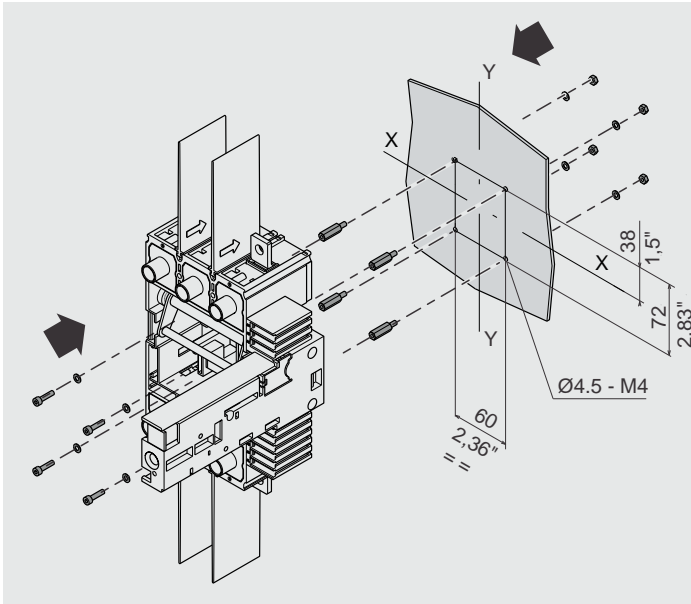
Diagram G provides detailed dimensions and tables for the XT4-UL/III-IV P terminal block. The diagram shows the terminal block with dimensions A, B, C, D, E, X, and Y. The tables below provide the dimensions for different configurations.

XT2 WITHOUT FLANGE SENZA MOSTRINA	A		B	C	D	E
	50/1.97"	70/2.76"				
III-IV	141,5 5,57"	161,5 6,34"	43 1,69"	47 1,85"	17 0,67"	23,5 0,93"
III	133,5 5,26"	153,5 6,03"	89 3,5"	102 4,02"	25 0,98"	51 2,01"
IV	133,5 5,26"	153,5 6,03"	89 3,5"	137 5,40"	25 0,98"	51 2,01"

XT1 WITH FLANGE CON MOSTRINA	A		B	C	D	E
	50/1.97"	70/2.76"				
III	136 5,35"	156 6,14"	97 3,82"	110 4,33"	29 1,14"	55 2,17"
IV	136 5,35"	156 6,14"	97 3,82"	145 5,71"	29 1,14"	55 2,17"

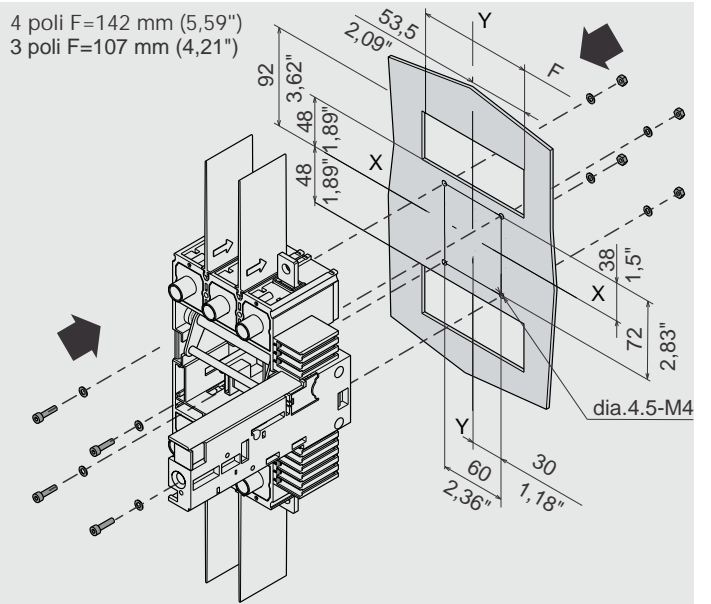
H

XT4-UL/III-IV W Fixing at 70 mm/2,76"



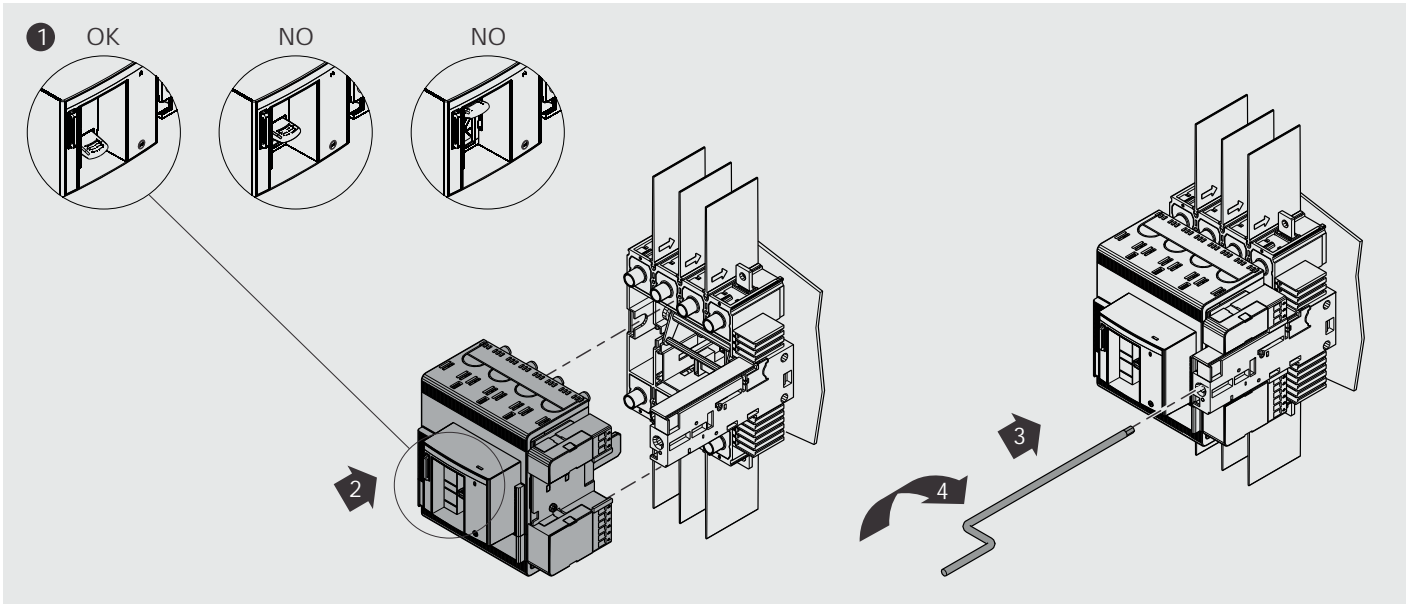
I

XT4-UL/III-IV W Fixing at 50 mm/1,97"



J

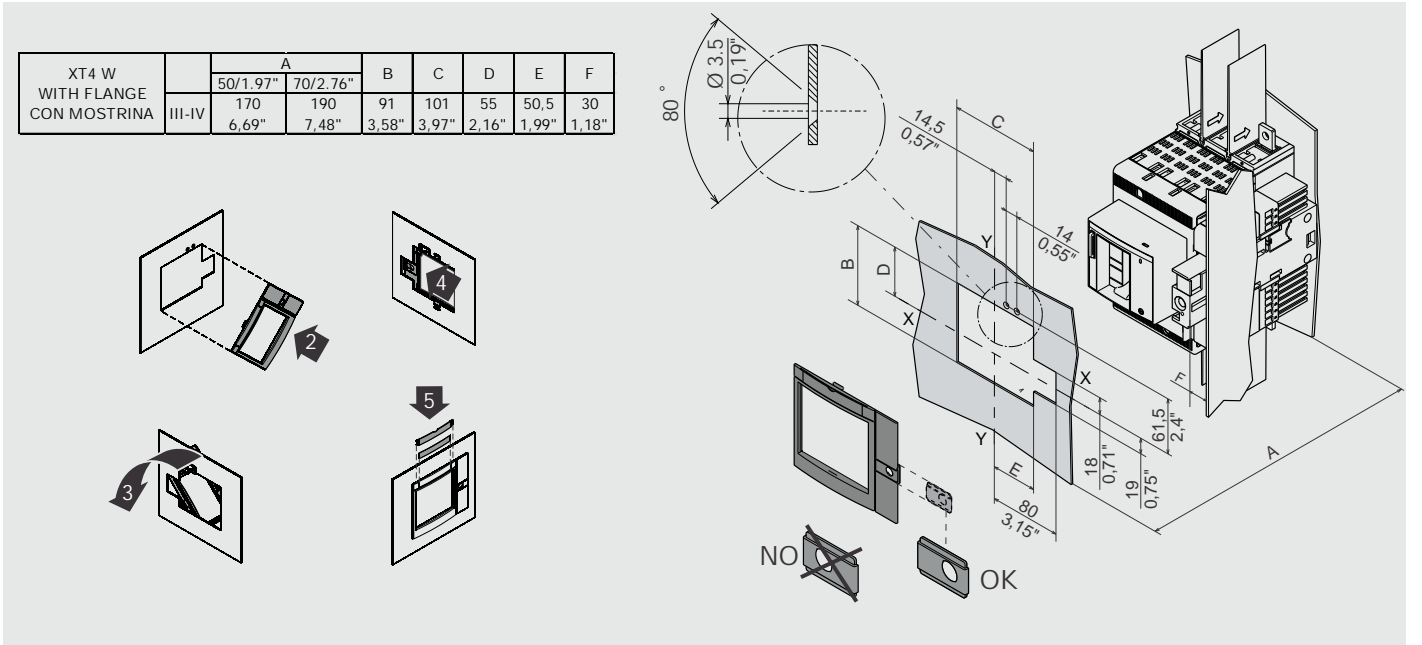
XT4-UL/III-IV W

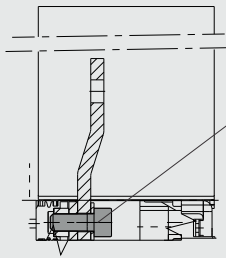


K

XT4-UL/III-IV W

XT4 W WITH FLANGE CON MOSTRINA	A		B	C	D	E	F
	50/1.97"	70/2.76"					
III-IV	170 6.69"	190 7.48"	91 3.58"	101 3.97"	55 2.16"	50,5 1.99"	30 1.18"

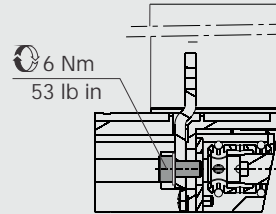




8 Nm
71 lb in

1SDA066901R1	3pcs
1SDA066902R1	4pcs
1SDA066903R1	6pcs
1SDA066904R1	8pcs

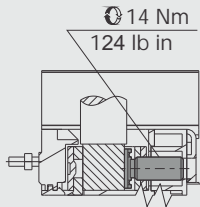
P-W/ES



6 Nm
53 lb in

1SDA066877R1	3pcs
1SDA066878R1	4pcs
1SDA066879R1	6pcs
1SDA066880R1	8pcs

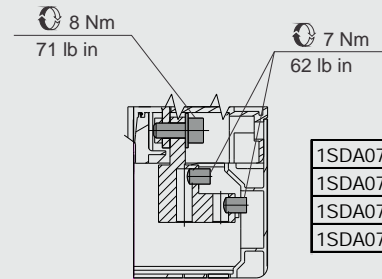
P-W/EF



14 Nm
124 lb in

1SDA075893R1	3pcs
1SDA075894R1	4pcs
1SDA075895R1	6pcs
1SDA075896R1	8pcs

P-W/FC Cu

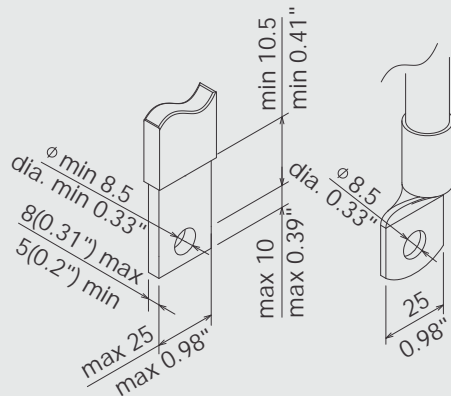


8 Nm
71 lb in

7 Nm
62 lb in

1SDA075909R1	3pcs
1SDA075910R1	4pcs
1SDA075911R1	6pcs
1SDA075912R1	8pcs

P-W/MC Cu



	FC Cu		MC Cu	
	MAX	MIN	MAX	MIN
Stranded	250 kcmil	10 AWG	2 AWG	12 AWG
Flexible	X		X	
	For copper wire only		For copper wire only	

Sul sito web:
On the website:
Zur Website:
Sur le site web:
En el sitio web:

<http://www.abb.com/abblibrary/DownloadCenter>

sono disponibili i seguenti disegni: [1SDH000722R0105](#) - P-ES III-IV
the following drawings are available: [1SDH000722R0107](#) - P-FcCu - Mc III-IV
folgenden Zeichnungen sind lieferbar: [1SDH000722R0108](#) - P-EF III-IV
sont disponibles es dessins suivants: [1SDH000722R0110](#) - W-ES III-IV
los siguientes módulos está disponibles: [1SDH000722R0112](#) - W-FcCu - Mc III-IV
[1SDH000722R0113](#) - W-EF III-IV

For more information please contact:

ABB S.p.A.
ABB SACE Division
Via Pescaria, 5
24123 Bergamo - Italy
Phone: +39 035 395 111