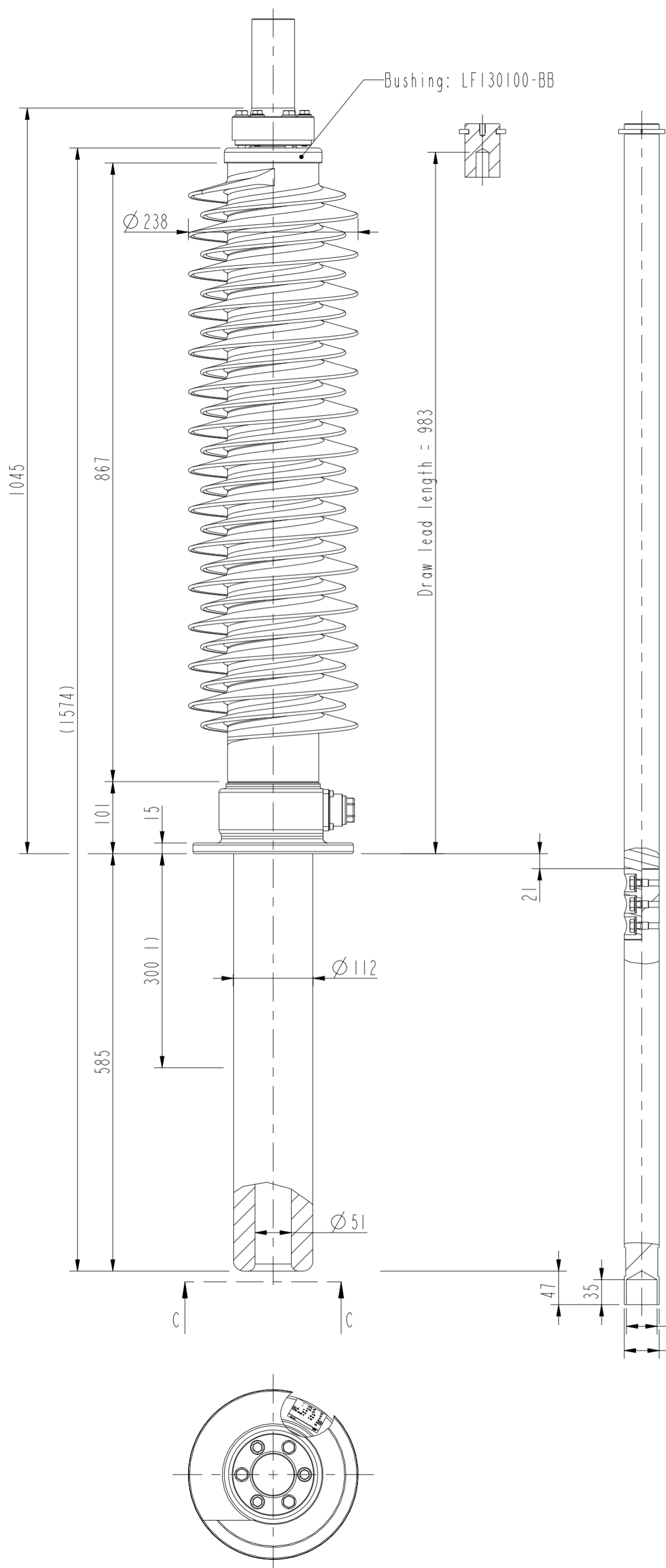


This document is issued by means of a computerized system. The digitally stored original is electronically approved. The approved document has a date entered in the "Approved"-field. A manual signature is not required.

Revision: Revision text
B Solid conductor added

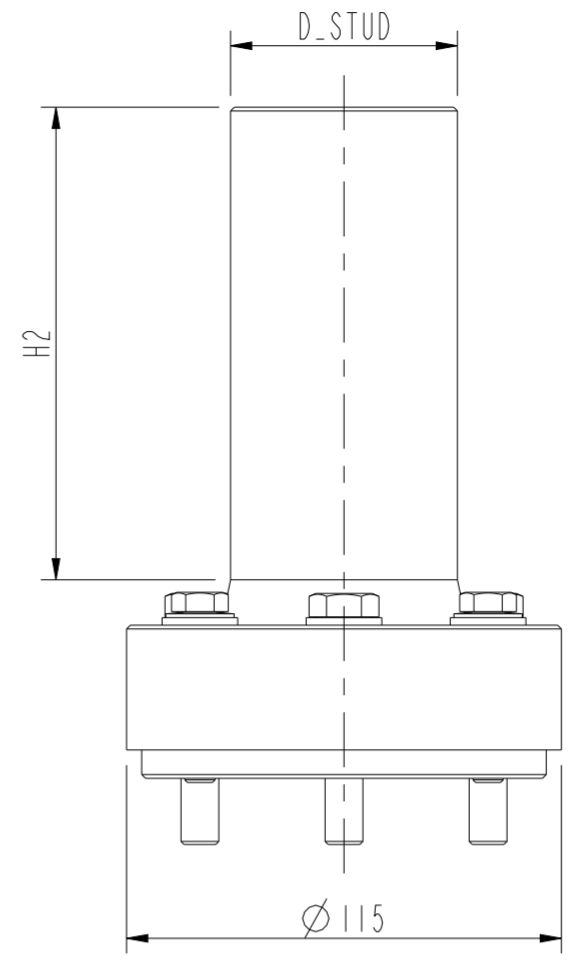
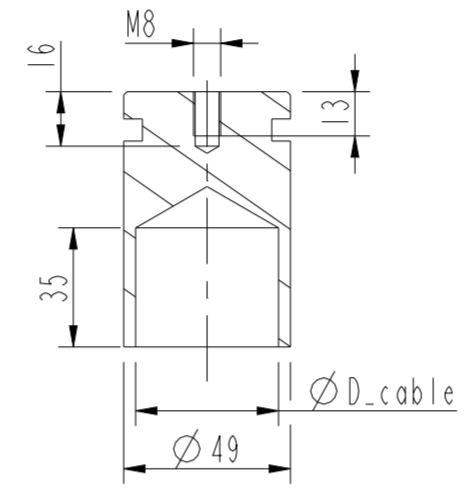


Solid conductor : LF170082-EAB & LF170081-HAA

SOLID CONDUCTOR	
Catalogue No	MASS
LF170081-HAA	18,2

SOLID CONDUCTOR	
Catalogue No	MASS
LF170082-EAB	8,8

INNER TERMINAL	
Catalogue. No.	D_CABLE
LF170080-A	5
LF170080-B	11
LF170080-C	13
LF170080-D	15
LF170080-E	18
LF170080-F	30
LF170080-G	42
LF170080-H	45



OUTER TERMINAL				
Catalogue No	MATERIAL	MASS	H2	D_STUD
LF170079-A	Al	2,3	125	60
LF170079-B	Al	1,5	125	30
LF170079-C	Cu	6,1	125	60
LF170079-D	Cu	3,5	125	30
LF170079-E	Cu/Sn	6,1	125	60
LF170079-F	Cu/Sn	3,5	125	30
LF170079-G	Cu/Ag	6,1	125	60
LF170079-H	Cu/Ag	3,5	125	30
LF170079-K	Cu	4,5	150	40
LF170079-AH	Cu	4,1	125	1 1/2" UNF
LF170079-AK	Cu/Ag	3,9	100	1 1/2" UNF
LF170079-AL	Cu/Ag	4,9	190	40
LF170079-AM	Cu/Ag	3,8	100	38

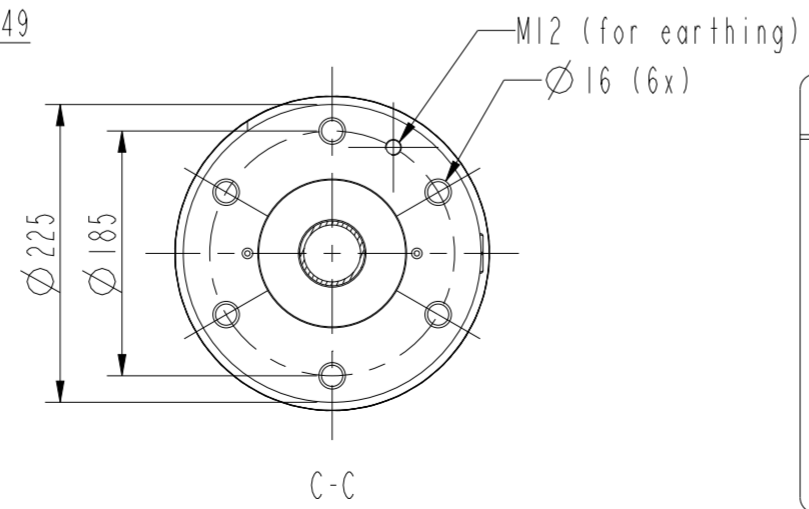
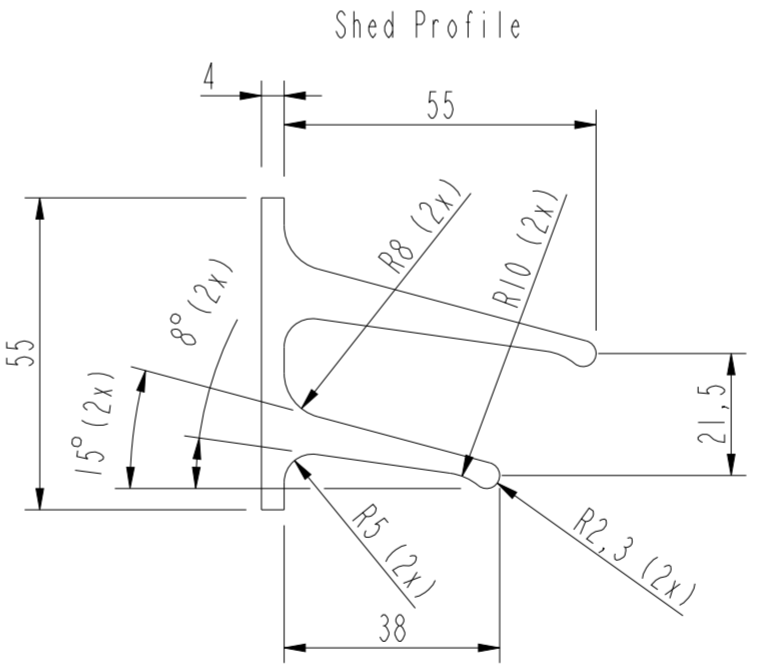


ABB		Ludvika, Sweden	
GSA 100-OA 1600/0.3		LF130100-BB	
No.			
Um 100 kV Ir 1600 A 50/60 Hz			
BL 450 kV SIL - kV AC 205 kV			
M 25 kg L 585 mm ✓ 0-90°			
C1	pF	Tan δ	x
C2	pF	Tan δ	x

ELECTRICAL DATA, acc. to IEC 60137				
Ratings	Rated Voltage	100	kV	
	Rated phase-to-earth voltage	71	kV	
	Max. phase to earth voltage, temporary	100	kV	
	Max. current with Cu-conductor	1600	A	
	Max. current with stranded cable 740 mm ²	1250	A	
	Dry lightning impulse	450	kV	
	Wet power frequency	185	kV	
	Routine test	Dry power frequency	205	kV
	Capacitance	Nominal capacitance	397	pF

GENERAL DATA, acc. to IEC 60137			
Silicone rubber insulator	Creepage distance	3150	mm
	Protected creepage distance	2600	mm
Colour		Light Grey	ANSI 70
Mass	Mass bushing	25	kg
Cantilever	Cantilever test load, heavy load	4000	N
Load	Max. cantilever operating load, bushing	2000	N
Ambient temperature		+40° to -40°	C
Mounting and Service instructions		2750 515-115	

Approved	2019-05-16	Document Kind	Outline Drawing	Based on doc.id	Work order id	Project id					
Company	ABB Technology Ltd	Title, Supplementary title	Dimension drawing GSA 100-OA 1600/0.3								
Responsible Department	SEABB-9AAE300824	Måttskiss GSA 100-OA 1600/0.3									
ABB		Document id	2751362-CBB	Status	Released	Revision	B	Iteration		Sheet	1/1