

GEH5024 INSTALLATION INSTRUCTIONS

# Circuit Breaker Enclosure Accessories

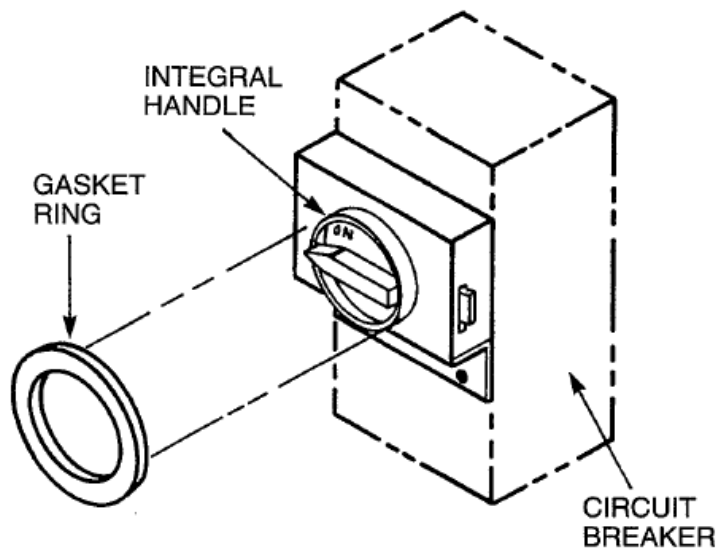
## Integral Handle Gasket For NEMA Type 12 Enclosure

### CONTENTS

The enclosure is furnished with rotary handle mechanism assembly and gasket kit (See chart).

### MOUNTING INSTRUCTIONS FOR GASKET RING

1. After rotary handle is mounted to circuit breaker, remove gasket ring from polybag.
2. Peel white paper back off gasket ring.
3. Place gasket ring over rotary handle escutcheon and adhere to front of rotary handle pan with hand pressure.



NEMA Type 12 Circuit Breaker Enclosure	Model Number	Integral Handles	Replacement Gasket Kit*
TF225D, TF225J	10	TFKR1, TFKR1B 343L602G3	315A7086G1
TB400J TJ400D, TJ400J, TJ600J	10	TJR1, TJR1B 343L602G3	315A7086G3
TJ4V600J TJ9V600J	10	TJVR1 343L769G1	315A7086G3
TB800J TK1200J	10	TKMR1B TKMR1	315A7086G4
TK4V1200J TK9V1200J	10	TKVR1	315A7086G4
TB100J TE100D, TE100J	8	TEFR1B 343L602G1	315A7086G1

\*Check rating label for replacement gasket kit.

These instructions do not purport to cover all details or variations in equipment nor to provide for every possible contingency to be met in connection with installation operation or maintenance. Should further information be desired or should particular problems arise which are not covered sufficiently for the purchaser's purposes, the matter should be referred to the ABB Company.