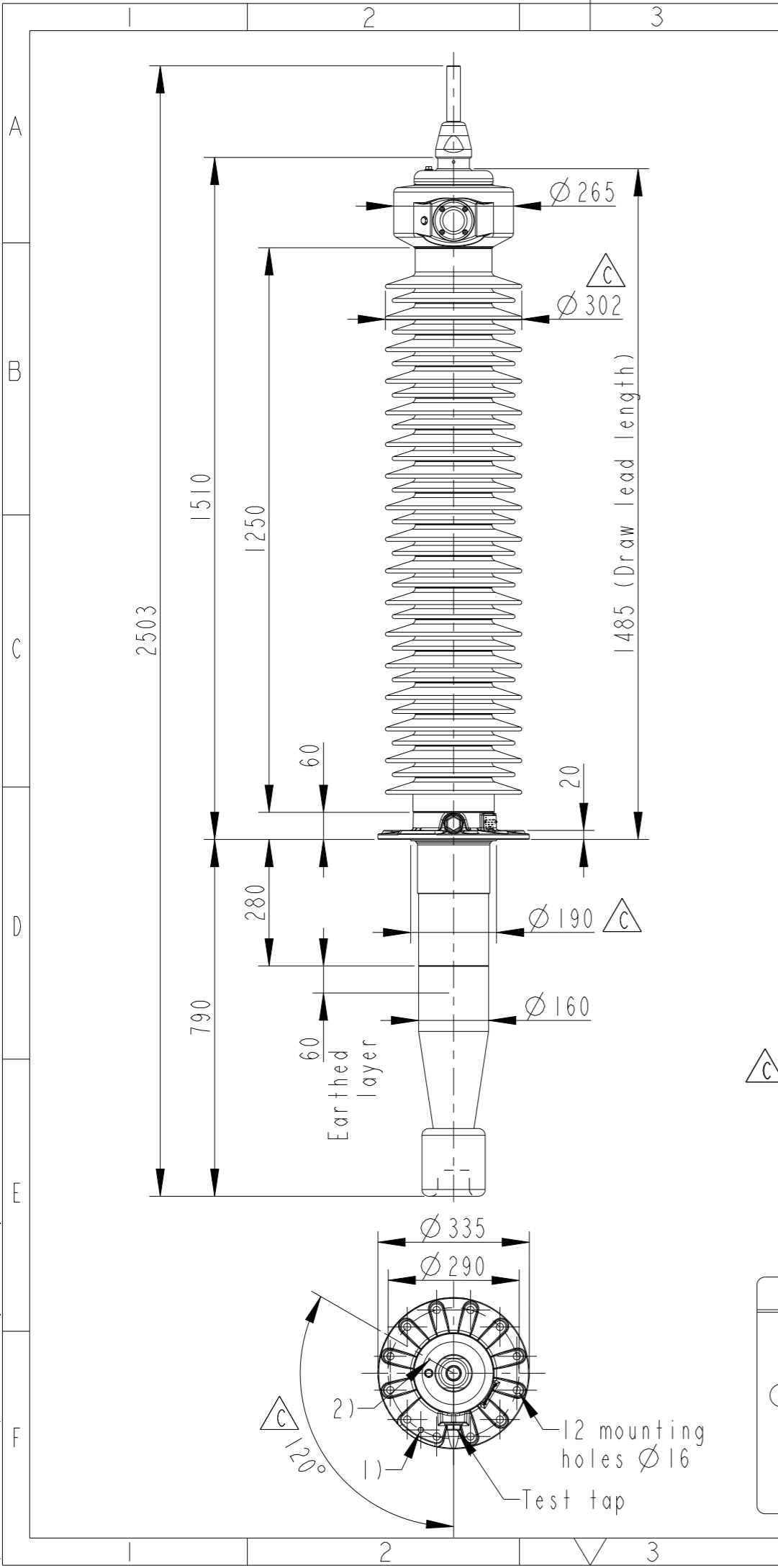
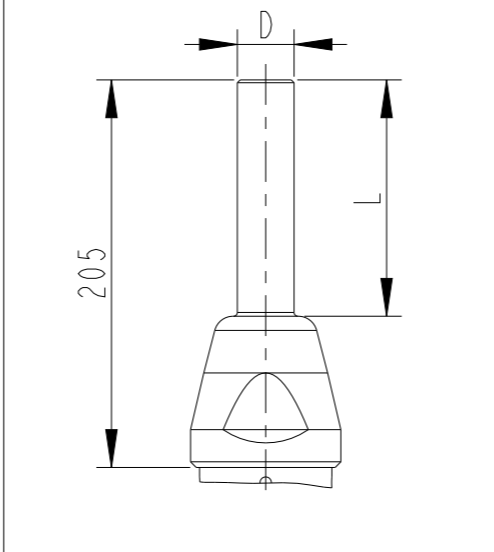


This document is issued by means of a computerized system. The digitally stored original is electronically approved. The approved document has a date entered in the "Approved"-field. A manual signature is not required.

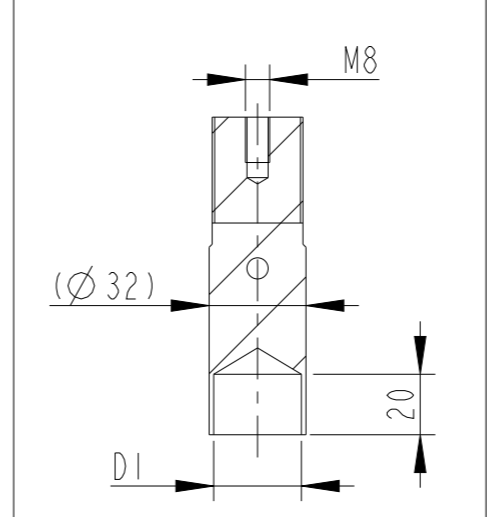
We reserve all rights in this document and in the information contained therein. Reproduction, use or disclosure to third parties without express authority is strictly forbidden.



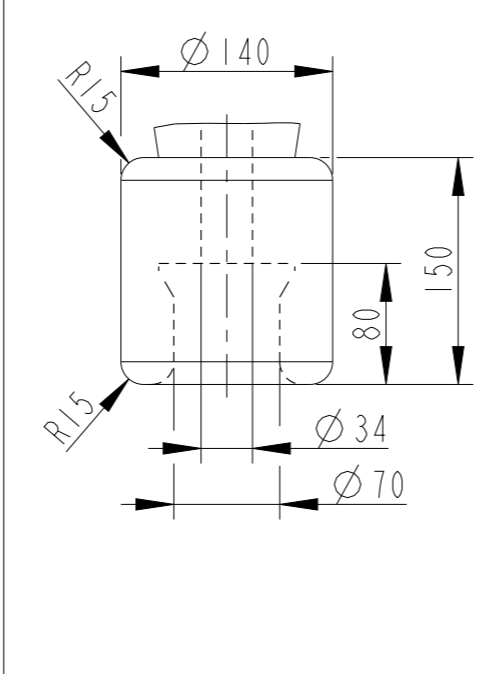
OUTER TERMINAL



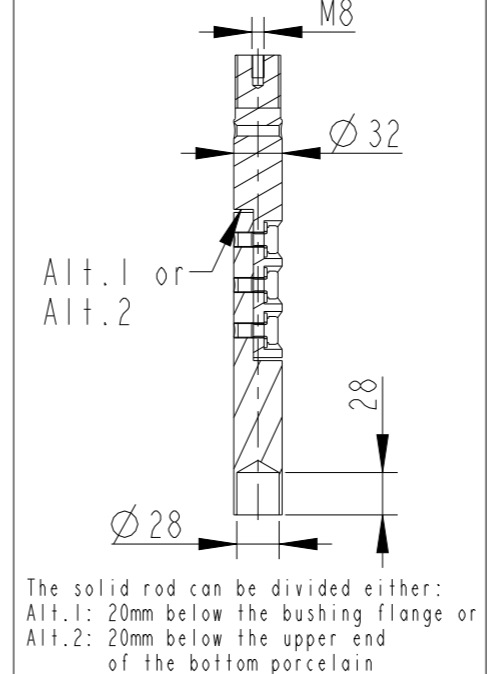
INNER TERMINAL FOR STRANDED CABLE



END SHIELD



SOLID ROD CONNECTOR



The solid rod can be divided either:
 Alt.1: 20mm below the bushing flange or
 Alt.2: 20mm below the upper end of the bottom porcelain

- 1) M12 (For Earthing)
- 2) $\varnothing 4$ Oil connection hole (only valid for horizontal mounting)

Revision	Revision text
C	Bushing -HM & -HN added. Note, Bushing Data and Dimension updated.

Bushing Data:

Rated Voltage	170	kV
Phase-to-earth Voltage	$\triangle C$ 98	kV
Dry Lightning Impulse 1,2/50 μ s	650	kV
Wet power frequency AC	275	kV
Routine test 1 min dry 50Hz	$\triangle C$ 310	kV
Rated Current	1250	A
Creepage Distance	4600 \pm 110	mm
Creepage Distance Protected	1980	mm
Mass	$\triangle C$ 137	kg

Ordering Data:

BUSHING	COLOUR	AIR INSULATOR
LF123193-M	BROWN	
LF123193-N	LIGHT GREY	
$\triangle C$ LF123193-HM	BROWN	Horizontal 45°-90°
$\triangle C$ LF123193-HN	LIGHT GREY	Horizontal 45°-90°

OUTER TERMINAL	Material	D	L
LF 170 002-B	Cu alloy,	$\varnothing 30$	125
LF 170 001-B	Al,	$\varnothing 30$	125

OTHER TYPES ON REQUEST

INNER TERMINAL FOR STRANDED CABLE

For brazing	Conductor area	D1
LF 170 011-T	up to 285mm ²	$\varnothing 29$
LF 170 011-V	Undrilled with pilot hole $\varnothing 5$	

SOLID ROD CONNECTOR

	Material
LF 170 052 -AE for Alt.1	Cu
LF 170 052 -AF for Alt.2	Cu

Ludvika, Sweden				
No.	Um	kV Ir	A	50/60 Hz
BL	kV SL	kV AC	kV	
M	kg L	mm	✓	°
C1	pF	Tan δ	x	
C2	pF	Tan δ	x	

Approved 2021-11-12	Document Kind Dimension Drawing	Based on doc.id	Work order id	Project id
Company ABB Technology Ltd	Title, Supplementary title GOB 650-1250-0.3			
Responsible Department SEABB-9AAE300824	With oil level gauge. Long end shield.			
ABB	Document id 2751369-220	Status Released	Revision C	Iteration 1/1