

REV	DESCRIPTION	DATE	DEPT./INIT.
A	New document	2002-11-21	ATCF/FM/GB/LEN
B	Sheet 2 changed	2002-11-22	ATCF/FM/GB/LEN
C	Instruction for single load cell application added.	2007-04-12	PA/FM/GF/ZR
D	PFEA122 added together with information of PROFINET and EtherNet/IP	2022-06-02	PAMA/FMGF /LH
D	connectors."Mains 100-240 V ac" was "Mains 115/230 VAC". Title updat.	2022-06-02	PAMA/FMGF /LH

PFXC141
 Earth bar inside PFXC141 is insulated from earth.
 The earth bar is for connecting the shield on the loadcell cables with the shield on cable no. 5.

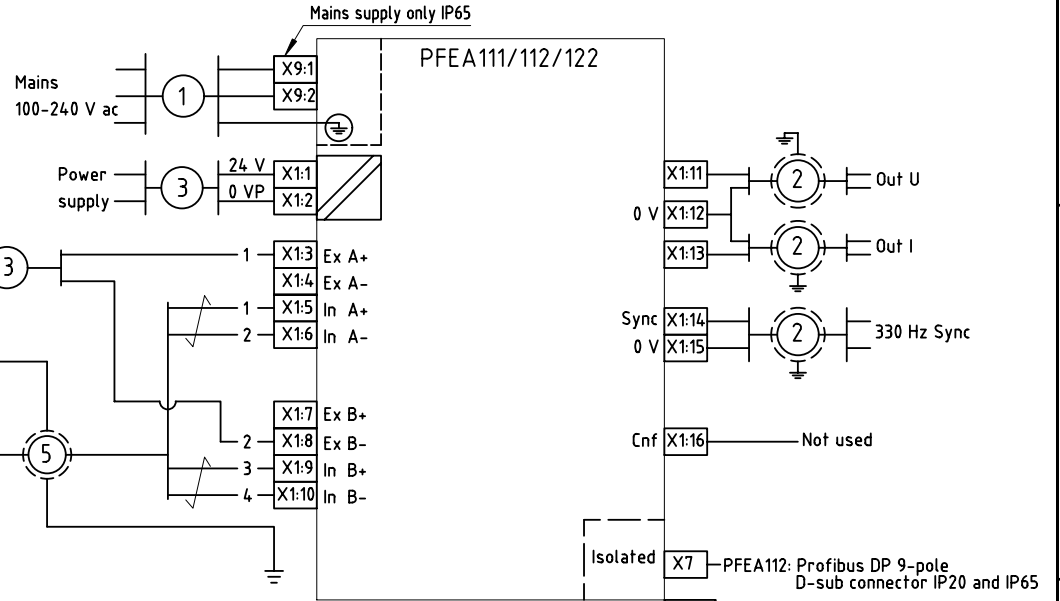
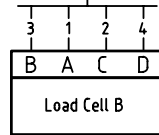
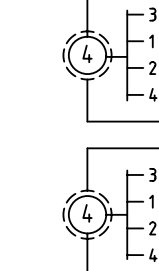
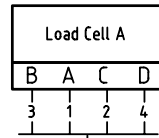
For single Load Cell application connect shorting wire in PFXC141 at:
 -when single load cell A between 21 & 22 or
 -when single load cell B between 17 & 18

Cable resistance between X1:3 and X1:8 must not exceed 5 ohm.

CABLE LIST

- ① 3 x 1,5...2,5 mm² [14...12 AWG]
- ② 2 x 0,4...1 mm² [22...18 AWG] — Shielded
- ③ 2 x 1,5...2,5mm² [14...12AWG]
- ④ 4 x 0,5 mm² [20 AWG] — Shielded, with Male plug connector x)
- ⑤ 2 x 2 x 0,5 mm² [20 AWG] — Shielded twisted pair

x) Load cell equipped with fixed cable has no plug connector.

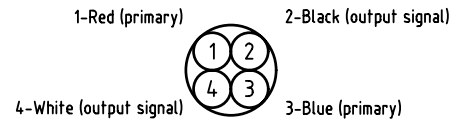


IP20:
 Power Supply 24 V dc
 Signal earth (0V) connected to Tension Electronics metal plate
 Cable Shields should be connected to earth close to the Tension Electronics

IP65:
 Power Supply 100 (-15%) to 240 (+10%) V ac or 24 V dc
 Signal earth (0V) connected to earth bar inside the unit
 Cable Shields should be connected to earth bar inside the unit

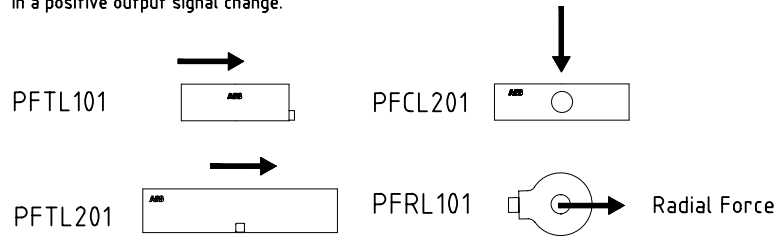
IMPORTANT!

Core order along no. 4



Load Cell equipped with fixed cable has color marked conductors.
 If cable no. 4 is lengthened it is important to keep core order.

Increased Force in the direction of the arrow results in a positive output signal change.



Because of practical reasons the Load Cell PFTL201 is often mounted so that the plug connector is pointing away from the roll.
 This results in that one of the Load Cells will have inversely applied force.

For inversely applied force on load cell:	To get a positive output signal swap:
A	X1:5&6
B	X1:9&10

Prep.	PAMA/FMGF	Lars Hinders	2022-08-15	Circuit diagram		ConLsh./No of sh.
Appr.	PAMA/FMGF	Håkan F Wintzell	2022-08-17	Tension Electronics PFEA111/112/122		-
Resp.dept	PAMA/FMGF			Tension Electronics PFEA111/112/122	-	-
				Document number	Long.	Rev.
ABB AB				3BSE02814.0D0065	en	D
Product family : PFEA				Product type designation : PFEA 111/112/122	Product information : PFE100	Sheet
Project or order number :				Customer reference :	Modify date : 2022-07-05 14:57:46	4

Prohibited substances set out in the current document "ABB List of Prohibited and Restricted substances" shall not be used.
 Restricted substances in concentrations above the accepted levels must be declared.

Document status : Approved

We reserve all rights in this document and in the information contained therein. Reproduction, use or disclosure to third parties without express authority is strictly forbidden.
 © ABB AB