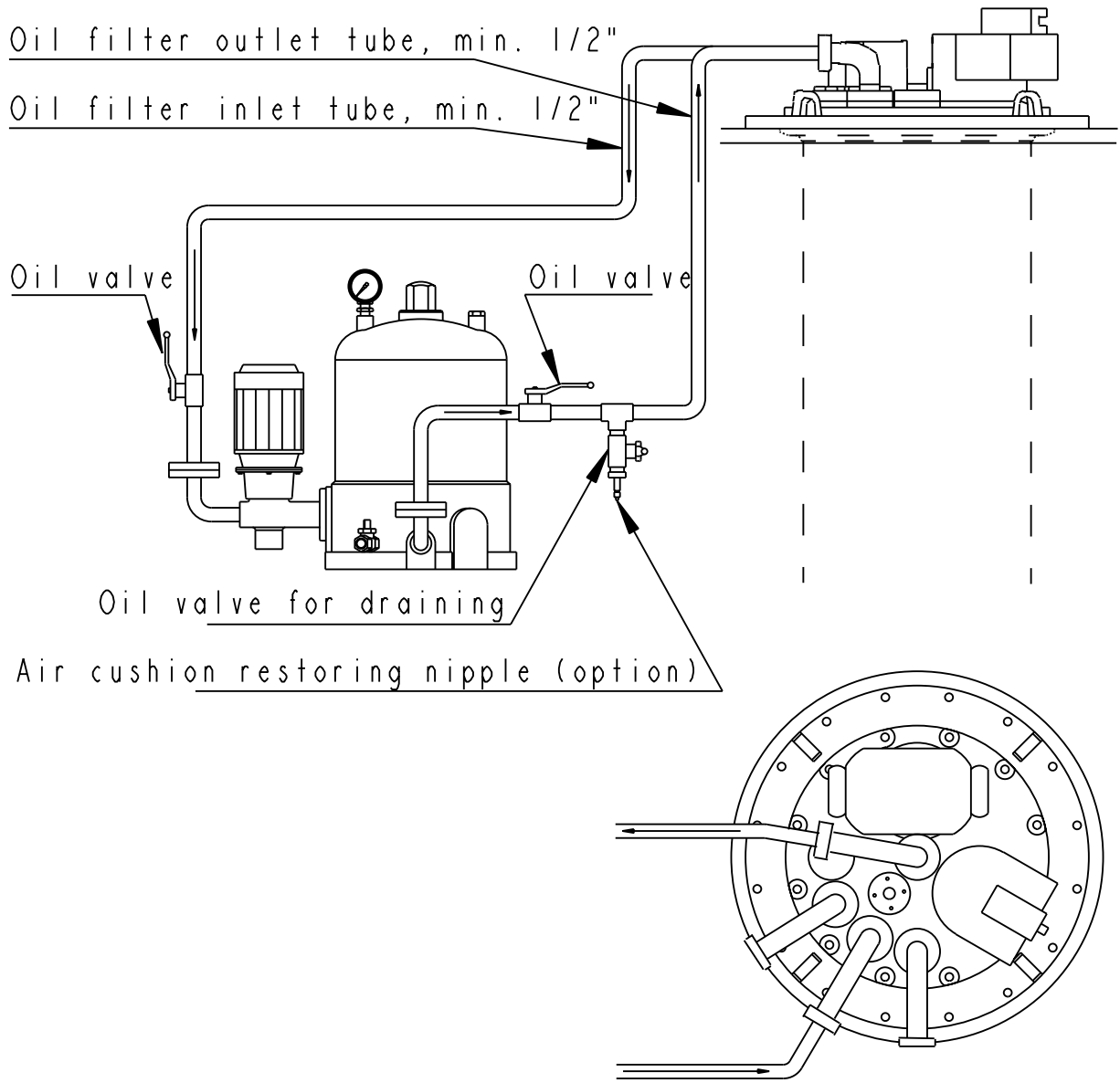



We reserve all rights in this document and in the information contained therein. Reproduction, use or disclosure to third parties without express authority is strictly forbidden. © ABB 19



Accepted by qual control		Accepted for prod by		Description (English) CONNECTION OF OIL FILTER UNIT UB			
Design checked by B-O. Stenestam		Drawn by L. Bergman		Description (own language) ANSL. AV OLJEFILTERAGGREGAT UB			
Drawing checked by G. Andersson		Issued by Dept COM/TK 97 11		5492 0088-15		Lang. en	Sheet 1
 Asea Brown Boveri						Rev 1	Cont -