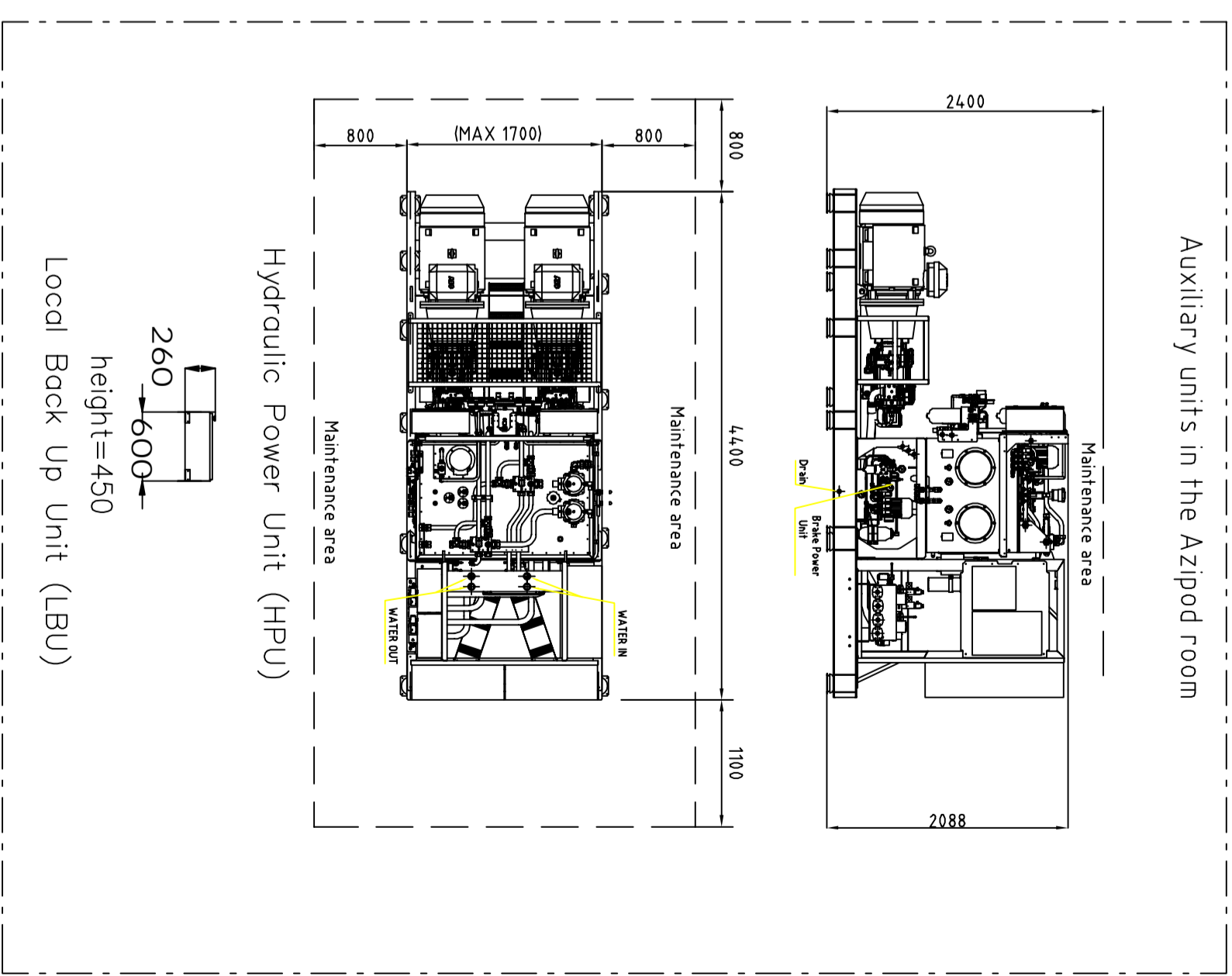
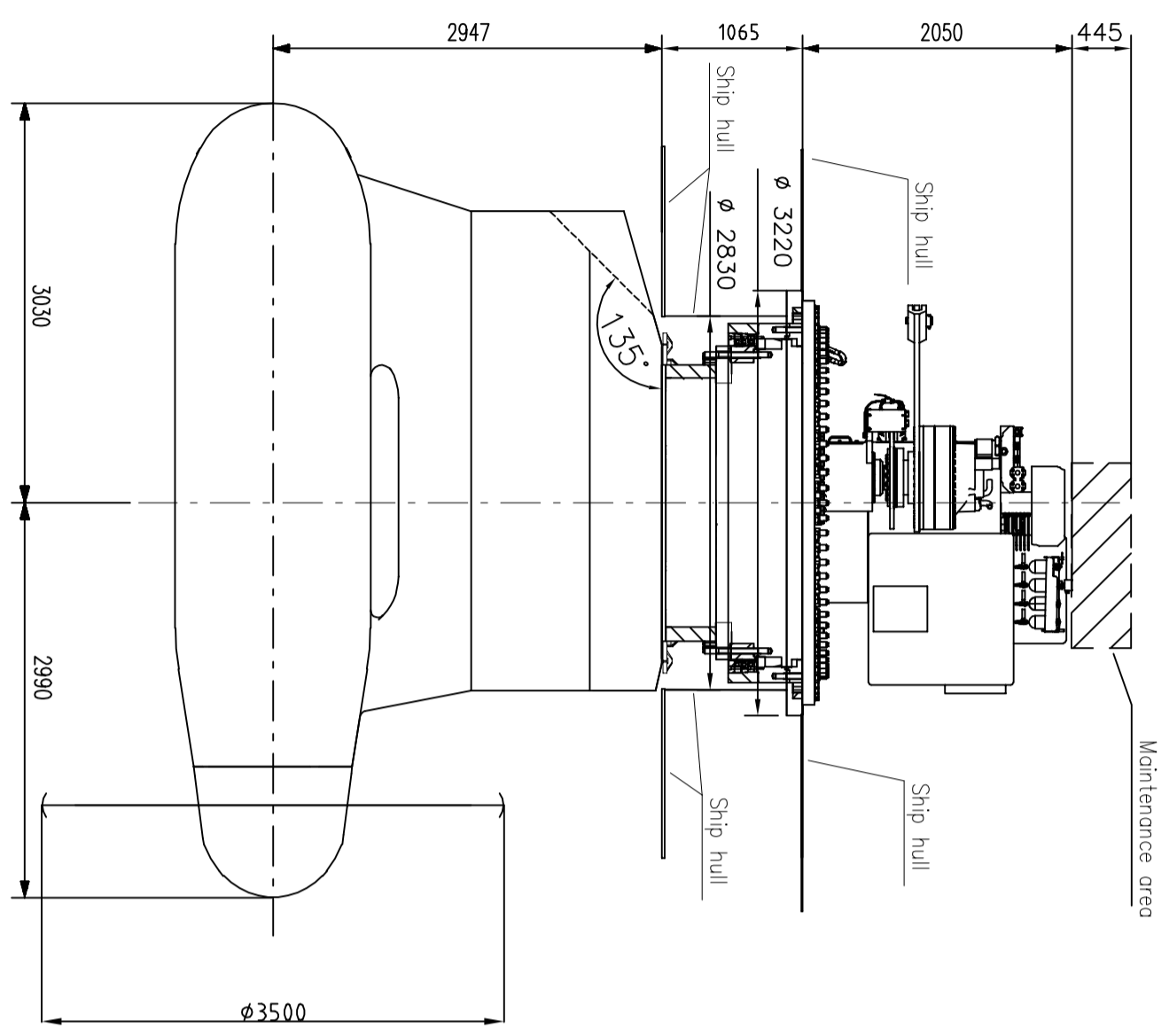
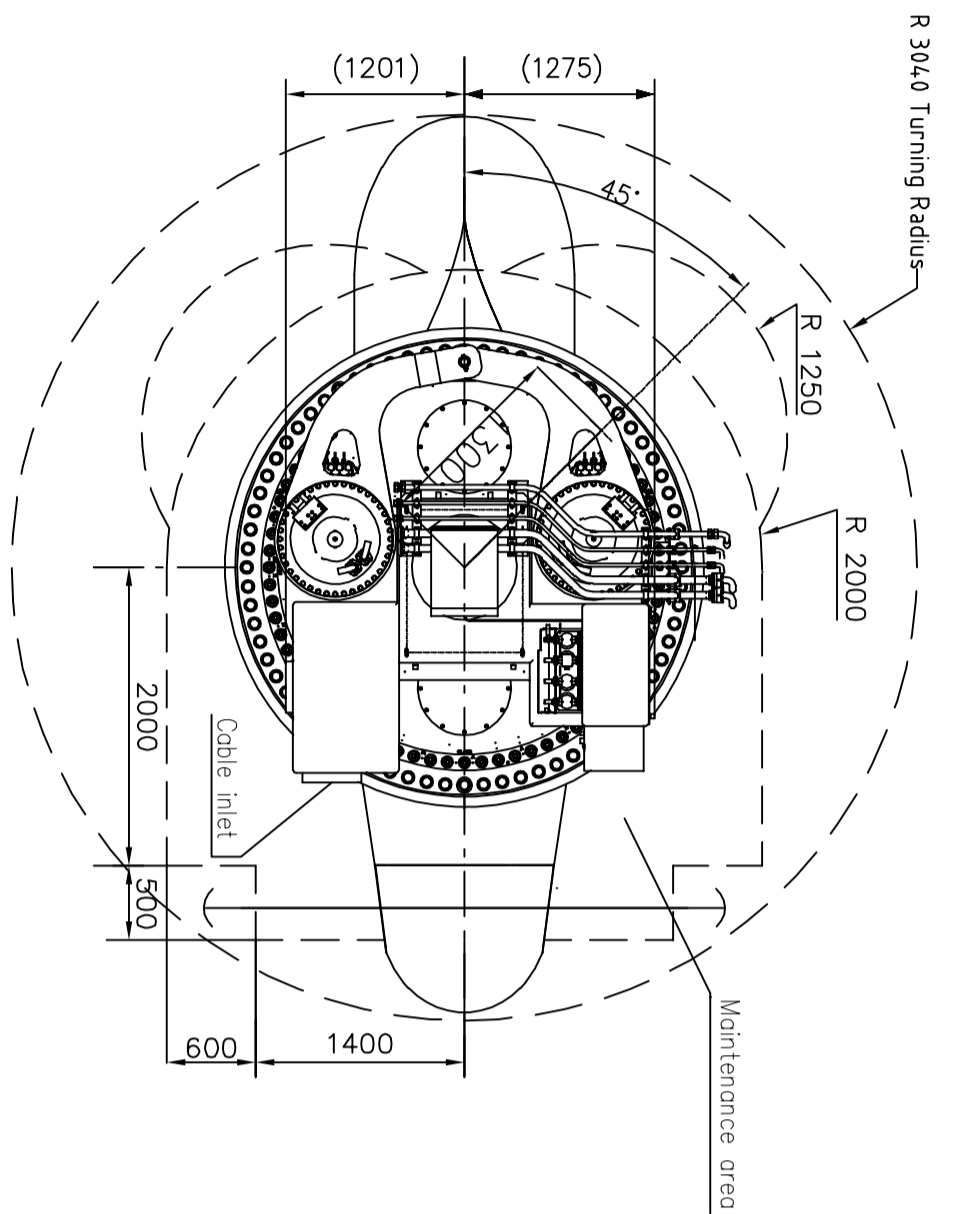


General tolerances for linear and angular dimensions and geometrical tolerances: ISO 2768 -mK
 Referential standards 9ADA 422 , DIN 7168T.1

Symbols for roughness according to ISO 1302 ,
 9ADA 431

We reserve all rights in this document and in the information contained therein. Reproduction, use or disclosure to third parties without express authority is strictly forbidden.
 © ABB Oy, Marine & Turbocharging, Propulsion Units



ABBA2BV 1 2 3 4 5 6 7 8

1 2 3 4 5 6 7 8

Prepared Pasi Lindholm 27.11.2015	Separate part list with separate No. <input type="checkbox"/>	Title Azipod main dimensions	Scale 1:50
Reviewed Kari Viisänen 30.11.2015	Responsible department VMH	RMRS Icebreaker7	Language EN
Approved Tero Tomminen 30.11.2015	Original dwg <input type="checkbox"/>		EN
Distribution Functional code	Order No.	Weight	Mounting Size A2
			Revision Sheet A
ABB Marine & Ports, Helsinki		Document No. 3AFV6077874	AutocAD 1/1