

TECHNICAL DATA SHEET

Floor box, round non-metallic

Part number: 68 P

Steel City®



The 68 P non-metallic floor box provides flush service for power or communications and data.

Certifications / Standards:



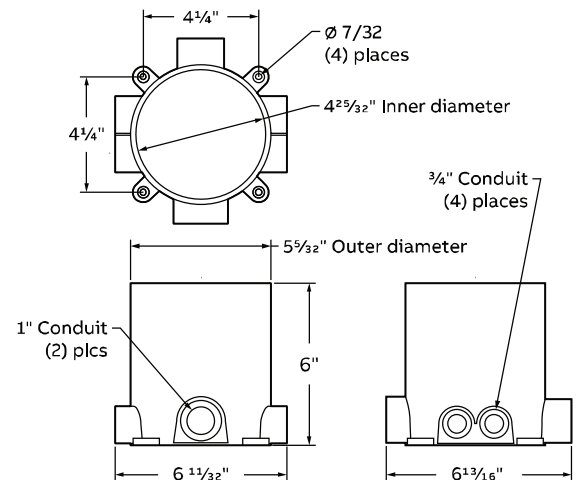
Features:

- High strength rigid PVC construction, non-corrosive
- Easy installation with no leveling required
- Compatible with standard-scheduled PVC conduit, pre-packaged with concrete cap and six hubs
- Includes (4) 3/4" to 1/2" reducing bushings
- Includes (2) 1" to 3/4" reducing bushings

Applications:

Used in floors such as:

- Concrete
- Carpet
- Tile
- Wood application



Product selection

Part no:	After pour adj.	Max. Capacity (cu. in.)	Standard conduit tapping	Adjusting ring Part no:	Metallic tile trims Part nos:	Cover and carpet plates	Wiring device
68 P	None	100	(4) 3/4" (2) 1"	68-PAR	68PFL 68PFLAL	P60 series P68 series	Single duplex or data/voice

Note: Product must be installed in accordance with applicable national and local electrical codes.