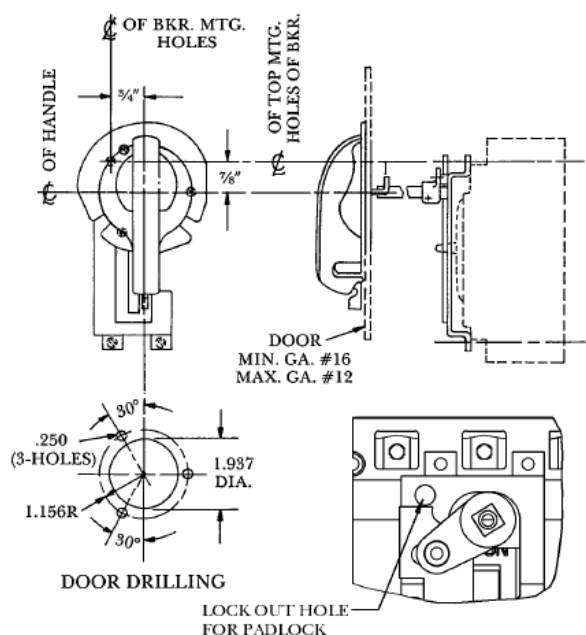


GEH4335 INSTALLATION INSTRUCTION

E 150 Line Circuit Breakers

TDM Handle Operating Mechanisms

For Cat. No.'s TEFOM1, TEFOM2, TEFOM3, TEFOM4



KIT CONTENTS

Operating mechanism

Operating shaft (not used with TEFOM1)

8-32 x 3 9/16" line end mounting screws

8-32 x 3 9/16" load end mounting screws (E150 Only)

Load end spacers (E150 Only)

8-32 x 2 1/4" load end mounting screws (TB1 Only)

MOUNTING INSTRUCTIONS

Move breaker to OFF position.

E150 LINE: E150 LI: (TEB, TED, THED, TEC)

Place spacers in the load end breaker mounting holes.

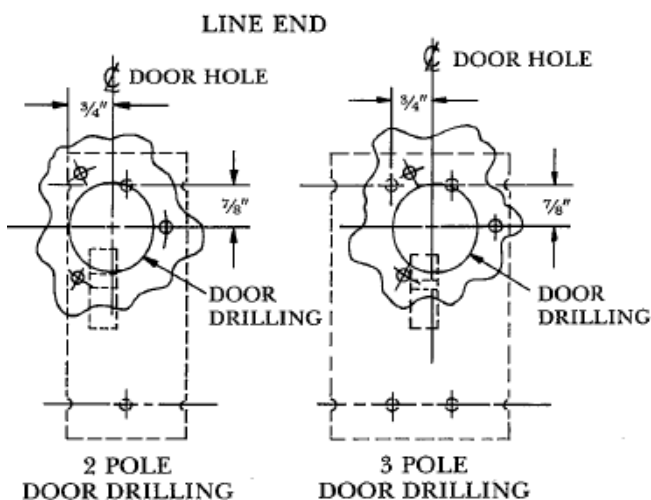
Position operating mechanism on breaker.

Secure mechanism/breaker assembly using the 3 3/8" line end and 3 9/16" load end screws.

Position operating mechanism on breaker. Secure mechanism breaker assembly using the 3 3/8" line end screws, the fuse cover screws, and the 2 1/4" load end breaker mounting screws.

DOOR DRILLING

For handle Cat. No. TH1 pendulum motion is shown. For up/down motion, rotate drilling 90° clockwise.



BOX DEPTH DIMENSIONS

Cat. No.	Back of breaker to Inside of Cover
TEFOM1	4 - 3/16
TEFOM2	5 1/8-15
TEFOM3	5 1/8 - 5 7/32
TEFOM4	5 1/8 - 5 13/16

Application	Gasket	Handle Motion
NEMA 1	Not Required	Either
NEMA 3R	Required	Pendulum Only
NEMA 12	Required	Either

To reorder gasket, use 788A742P3

Mount operating handle to cover as shown, with gasket, if required, between handle and cover.

Length of 10-32 Mtg. Screw Required ①	Thickness of Cover
1/4	.083 - .115
3/16	.054 - .083

① Furnished by customer.

E 150 Line Circuit Breakers

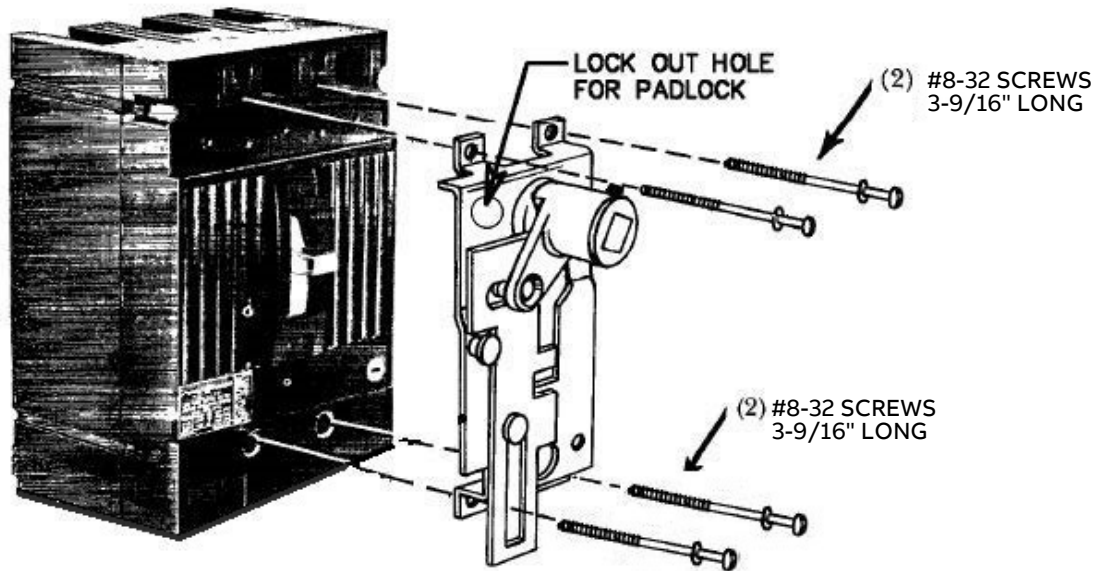


Figure 2 - E 150 Line Circuit Breakers

DETERMINING SHAFT LENGTH (FOR TEFOM2-4)

Determine shaft length, L, by measuring depth from back of breaker to inside surface of cover or door, D.
 $L = D - 4.50 \pm 1/16$ in. Cut shaft per figure 3.

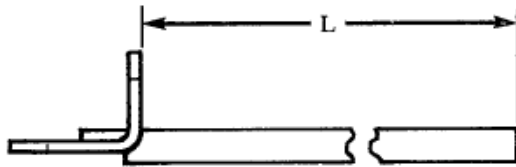


Figure 3.

Insert shaft into mechanism collar and install and torque $1/4$ -20 Allen locking set screw to 40-50 lb.-in. using $1/8$ in. Allen key wrench.

***FOR NEMA 1 APPLICATIONS WHEN GASKET IS NOT USED, HOLE DIAMETER MAY BE REDUCED TO 1.906 INCHES.**

NOTES:

1. For 15" long shaft order Cat. No. 788A831G10
2. For 20" long shaft order Cat. No. 788A831G20
3. Optional NFPA79 compliant inner handle - Order TH79EF. Requires minimum shaft length (L) of 2.50".

These instructions do not purport to cover all details or variations in equipment nor to provide for every possible contingency to be met in connection with installation operation or maintenance. Should further information be desired or should particular problems arise which are not covered sufficiently for the purchaser's purposes, the matter should be referred to the ABB Company.