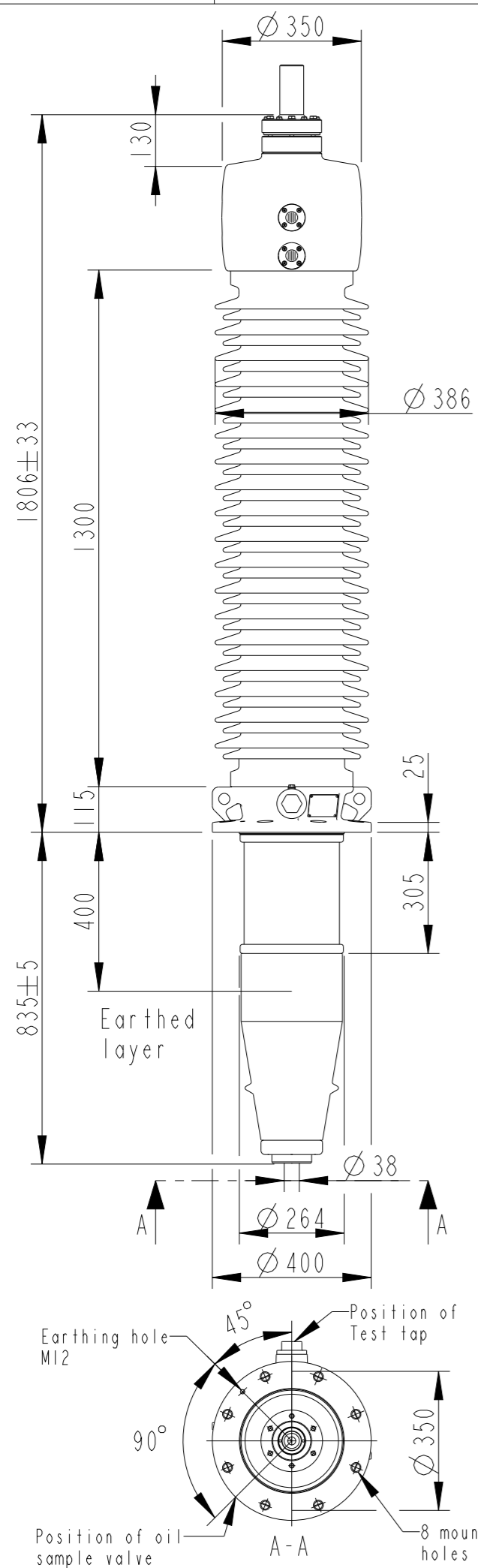


This document is issued by means of a computerized system. The digitally stored original is electronically approved. The approved document has a date entered in the "Approved"-field. A manual signature is not required.

The information contained in this document has to be kept strictly confidential. Any unauthorized use, reproduction, distribution or disclosure to third parties are strictly forbidden. ABB reserves all rights regarding Intellectual Property Rights. © Copyright 2013 ABB. All rights reserved.



Bushing Data:

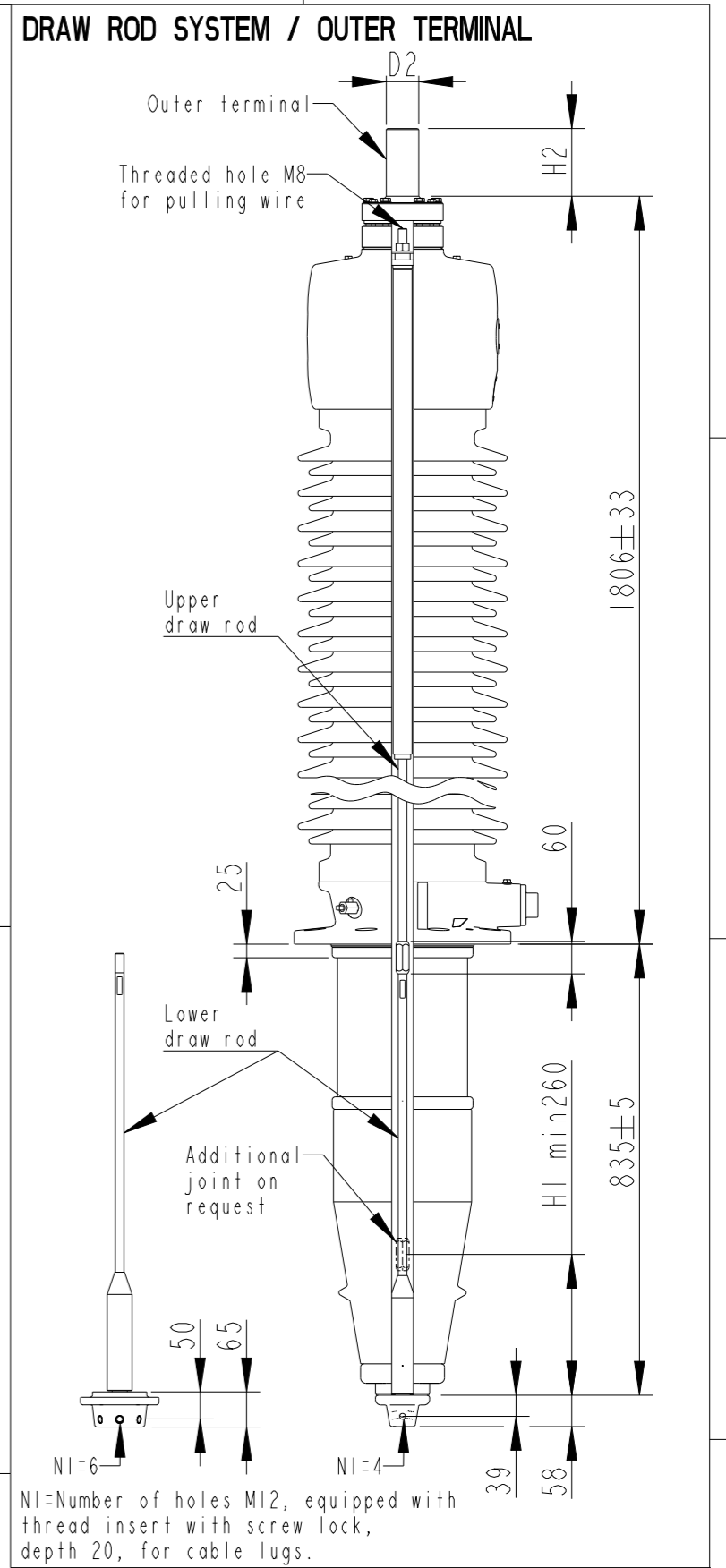
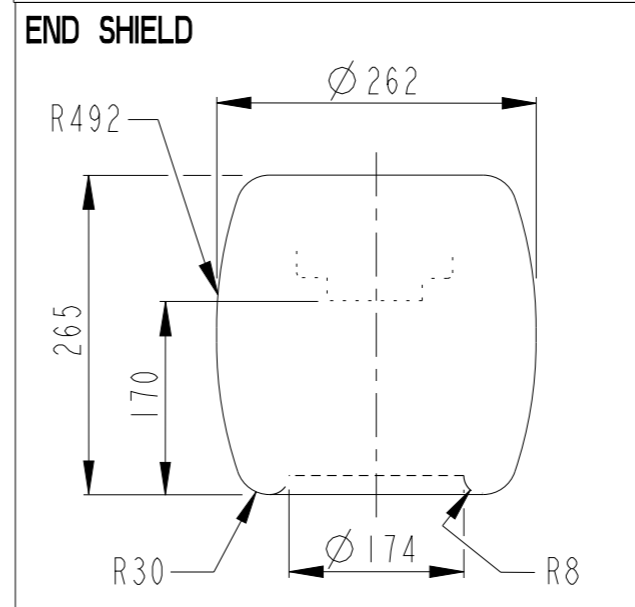
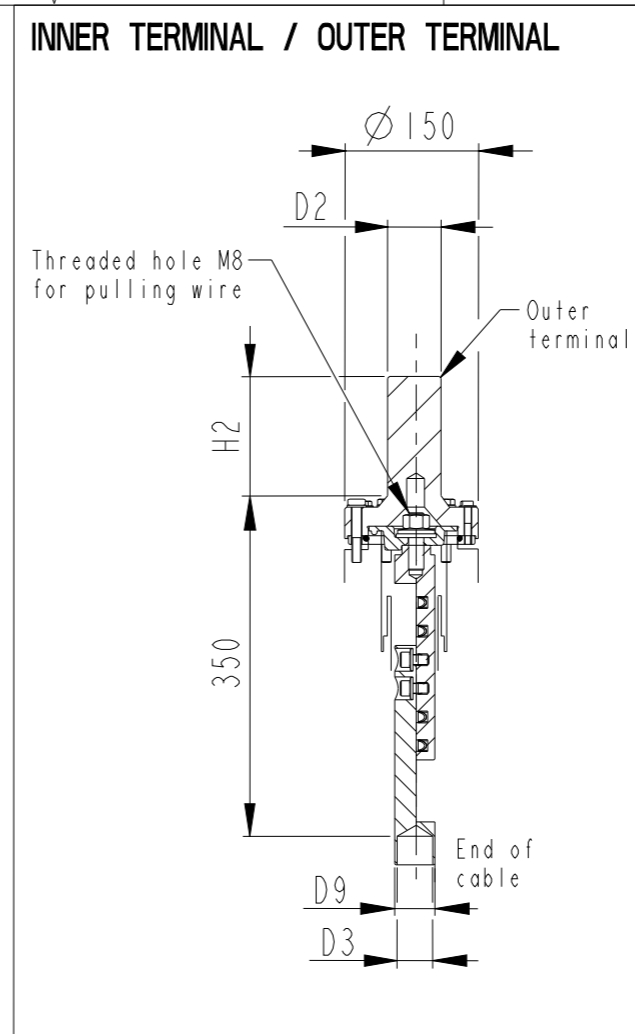
Rated Voltage	145 kV
Phase to-earth Voltage	84 kV
Dry Lightning Impulse 1,2/50µs	650 kV
Wet Switching Impulse	500 kV
Wet Power frequency AC	315 kV
Routine test Imin dry 50Hz	325 kV
Rated Current	5000 A
Creepage Distance	4775 mm
Mass	390 kg

Ordering Data:

BUSHING		COLOUR AIR INSULATOR			
IZSC902145-ABA		BROWN			
OUTER TERMINAL					
		Max. Rated Current (A)	H2 (mm)	D2 (mm)	
LF170 073-A	Al	2500	125	60	
LF170 073-B	Cu	4000	125	60	
LF170 073-G	Cu/Ag	4000	125	60	
LF170 073-L	Cu/Sn	4000	125	60	
LF170 073-BA	Cu/Ag	3000	125	2"-12UN	
LF170 073-AA	Cu	5000	115	96	
LF170 073-DB	Cu/Ag	5000	125	96	
END-SHIELD					
LF170 046-U		EPOXY INSULATED			
LF170 046-UP		INSULATED WITH 3 mm PRESSBOARD			
DRAW ROD SYSTEM					
LF170 059		LOWER DRAW ROD WITH NI=4 OR NI=6			
LF170 057		UPPER DRAW ROD			
INNER TERMINAL					
	D3 (mm)	D9 (mm)	Cond.area (mm ²)	Current (A) IEC	Current (A) IEEE
LF170 056-A	0 *	35	-	-	-
LF170 056-B	15	35	95	390	370
LF170 056-C	30	35	285	1000	830

*) WITH PILOT HOLE D=5

ABB		Ludvika, Sweden	
No.			
Um/Ur	kV	Ir	A
BIL	kV	SIL	kV
M	kg	L	mm
C1	pF	Tan δ	z
C2	pF	Tan δ	z



Prepared	Kalaivanan R	2017-06-29	Responsible department	PGCO/BK	Title	
Modified by	Kalaivanan R	2017-07-04	Take over department		GOE 650-500-5000-0.3	
Approved by	Natalia Gutman	2017-07-04	Used in product		GOE 650-500-5000-0.3	Language
Revision	F	Drawing display updated				82
					Order	Sheet no.
					Document no.	2751369-307
						No. Shis. (1)

