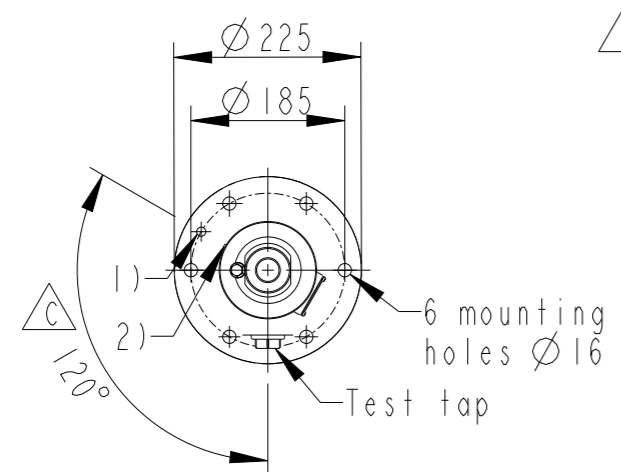
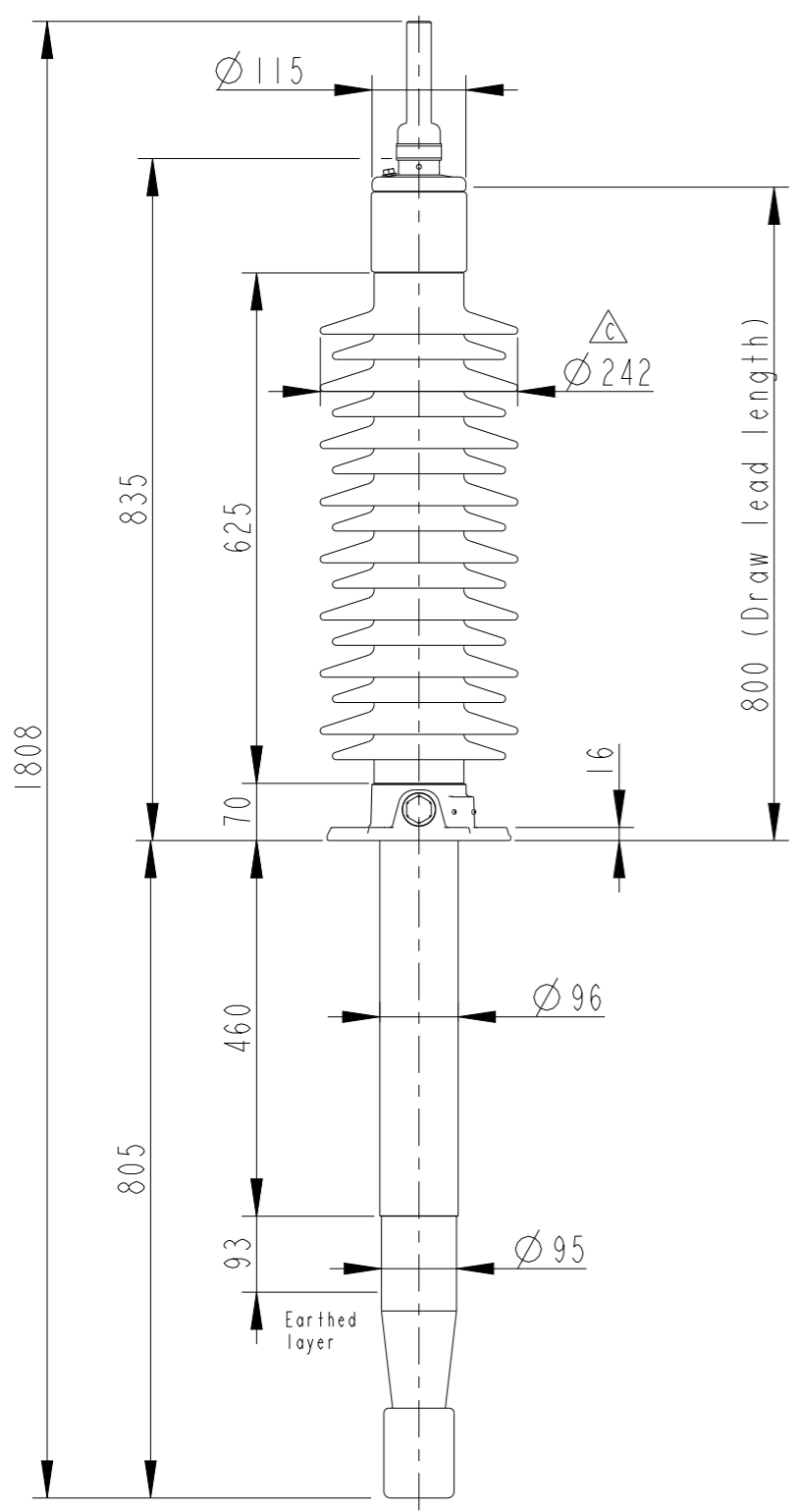
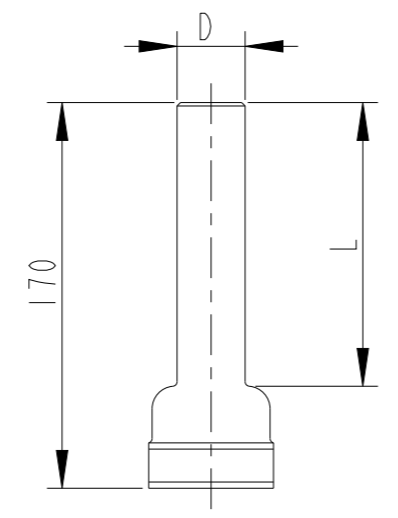


This document is issued by means of a computerized system. The digitally stored original is electronically approved. The approved document has a date entered in the "Approved"-field. A manual signature is not required.

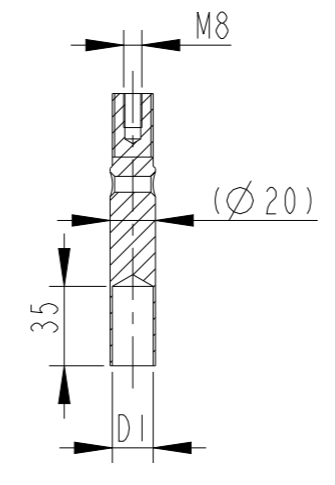
We reserve all rights in this document and in the information contained therein. Reproduction, use or disclosure to third parties without express authority is strictly forbidden.



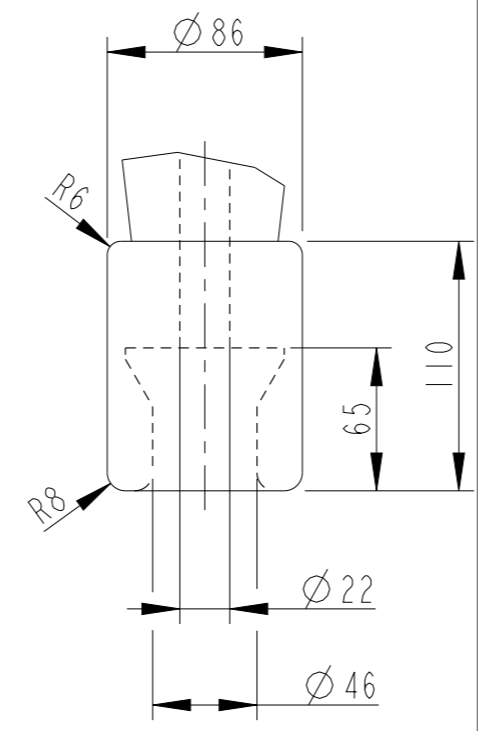
OUTER TERMINAL



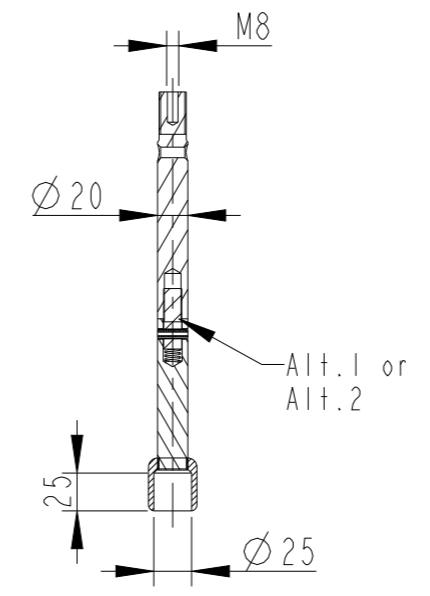
INNER TERMINAL FOR STRANDED CABLE



END SHIELD



SOLID ROD CONNECTOR



The solid rod can be divided either:
 Alt.1: 20mm below the bushing flange or
 Alt.2: 20mm below the upper end of the bottom porcelain

Revision	Revision text
C	Bushing data, Ordering data & Dims updated

Bushing Data:

Rated Voltage	72.5	kV
Phase-to-Earth Voltage	△ 42	kV
Dry Lightning Impulse 1,2/50µs	350	kV
Wet power frequency AC	140	kV
Routine test Imin dry 50Hz	160	kV
Rated Current	800	A
Creepage Distance	2240±50	mm
Creepage Distance Protected	△ 875	mm
Mass	△ 45	kg

Ordering Data:

BUSHING	COLOUR	AIR INSULATOR
LF123089-M	BROWN	
LF123089-N	LIGHT GREY	
LF123089-HM △	BROWN	Horizontal 45°-90°
LF123089-HN △	LIGHT GREY	Horizontal 45°-90°

OUTER TERMINAL	Material	D	L
LF 170 002-A	Cu Alloy	∅ 30	125
LF 170 001-A	Al	∅ 30	125

OTHER TYPES ON REQUEST

INNER TERMINAL FOR STRANDED CABLE

For brazing	Conductor area	D1
LF 170 011-S	up to 150mm ²	∅ 18
LF 170 011-U	Undrilled with pilot hole	∅ 5

For crimping or brazing

Conductor area	D1
LF 170 010-M	50mm ²
LF 170 010-N	70mm ²
LF 170 010-L	95mm ²

SOLID ROD CONNECTOR

SOLID ROD CONNECTOR	Material
LF 170 019 -L for Alt.1	Cu
LF 170 019 -H for Alt.2	Cu

- △ 1) M12 (For Earthing)
- △ 2) ∅ 4 Oil connection hole (only valid for horizontal mounting)

Ludvika, Sweden			
No.	Um	kV Ir	A 50/60 Hz
○	BIL	kV SIL	kV AC
M	kg L	mm	∇
C1	pF	Tan δ	z
C2	pF	Tan δ	z

Approved 2022-01-13	Document Kind Assembly Drawing	Based on doc.id	Work order id	Project id
Company Hitachi Energy Sweden AB	Title, Supplementary title GOB 325-800-0.5			
Responsible Department SEABB-9AAE300824	Without oil level gauge. Long end shield.			
ABB	Document id 2751369-126	Status Approved	Revision C	Iteration 4
				Sheet 1/1