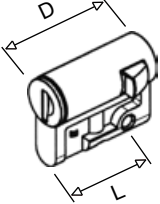
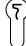
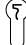








General Purpose Enclosures

PolySafe - Accessories

Product	Type	Order code	Pack
Profile half cylinder locks			
Standard: D = 40 mm - L = 30.5 mm			
	With 2 keys V2432-E		
	 PS832030	4TBP832030C0100	1
	Replacement keys for PS832030		
	PS832741	4TBP832741R0100	2
	With 2 keys 1242-E		
	PS832031	4TBP832031C0100	1
	With 2 keys 455-E		
	PS832465	4TBP832465C0100	1
	With 2 keys 405-E		
	PS832466	4TBP832466R0100	1
	With 1 square key, 8 mm		
	PS832032	4TBP832032C0100	1
	With an 8 mm triangular key		
	PS832033	4TBP832033C0100	1
	With an 11 mm triangular key		
	PS832034	4TBP832034C0100	1
	With 1 double-bit key, 3 mm		
	PS832029	4TBP832029C0100	1

Handle



For lock with half cylinder profile (as replacement)

PS833629 4TBP833629C0100 1

Handle



For lock with 45 mm half cylinder profile

PS833290 4TBP833290C0100 1

Padlocking handle



For padlock (Ø10 mm max.)



PS833630 4TBP833630R0100 1

Depth adjustment kit



Set of 4 brackets for adjusting the depth of the mounting plates (12.5 mm increments)

PS833528 4TBP833528C0100 1

Product	Type	Order code	Pack
Door stop/Canopy stop			
Opening angle of 100° of the door or canopy (for >750-wide enclosures)			
	Left turning		
	PS833649	4TBP833649C0100	1
	Right turning		
	PS833650	4TBP833650C0100	1

Wall mounting supports for standard cabinets



Kit comprising 4 fixing lugs that clip into the rear of the enclosure. In Type 304 grade stainless steel. (replacement)

PS833651 4TBP833651C0100 1

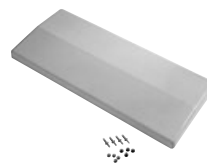
Wall fixing lugs for enclosures equipped with a hood.



Kit comprising 4 fixing lugs that clip into the rear of the enclosure.

PS833624 4TBP833624C0100 1

Rainhood



Rainhoods for enclosure combinations. Standard rainhoods in the enclosure selection tables.

For enclosures dimensions (WxD)

1500x320mm	PS833656	4TBP833656C0100	1
1750x320mm	PS833657	4TBP833657C0100	1
2000x320mm	PS833658	4TBP833658C0100	1
2250x320mm	PS833659	4TBP833659C0100	1
2500x320mm	PS833660	4TBP833660C0100	1
3000x320mm	PS833661	4TBP833661C0100	1
500x640mm	PS833693	4TBP833693C0100	1
750x640mm	PS833692	4TBP833692C0100	1
1000x640mm	PS833783	4TBP833783C0100	1
1250x640mm	PS833784	4TBP833784C0100	1
1750x640mm	PS833743	4TBP833743C0100	1
2000x640mm	PS833691	4TBP833691C0100	1
2500x640mm	PS833764	4TBP833764C0100	1

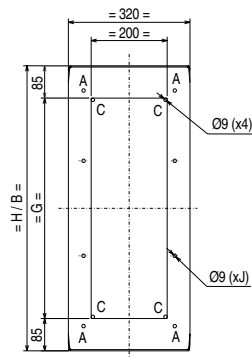
General Purpose Enclosures

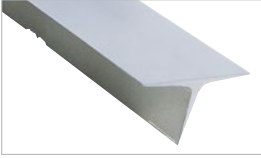
PolySafe - Accessories

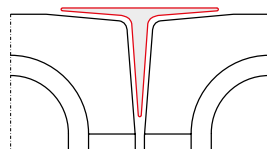
Product	Type	Order code	Pack
Pole mounting			
	Width = 500 mm		
	PS833625	4TBP833625C0100	1
	Width = 750 mm		
	PS833626	4TBP833626C0100	1
	By C profiles, at the rear of the enclosure and affixed to the lugs. Metal sheet is used for securing to the pedestal.		
	Securing clamps are attached to the profiles to ensure that the metal sheet is held fast.		


IP65/IP54 coupling kit				
H/B	G	J	Depth 320 mm	
500	330	6	PS833608	4TBP833608R0100 1
750	580	8	PS833610	4TBP833610R0100 1
1000	830	12	PS833612	4TBP833612R0100 1
1250	1080	14	PS833614	4TBP833614R0100 1

The kit contains the neoprene seal, securing screws and profiles.



Corner profile			
To fill up the corner between two coupled enclosures			
	Length = 308 mm		
	PS833653	4TBP833653R0100	1
	Use 2 profiles when coupling n.4 enclosures		


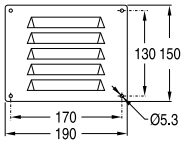



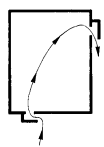
Product	Type	Order code	Pack
IP20 inner door			
HxW			
	500x500 mm		
	PS833556	4TBP833556C0100	1
	500x750 mm		
	PS833557	4TBP833557C0100	2
	750x500 mm		
	PS833558	4TBP833558C0100	1
	750x750 mm		
	PS833559	4TBP833559C0100	1
	1000x500 mm		
	PS833561	4TBP833561C0100	1
1000x750 mm			
PS833562	4TBP833562C0100	1	
Frame and door with two double-bit closures. For control and automation applications.			


Solid front plates for 19"/ETSI frame			
For filling remaining empty spaces			
For cabinets H x W = 500 x 750 Front plate height = 32 mm			
PS833684	4TBP833684C0100	1	
For cabinets H x W = 750 x 750 Front plate height = 15 mm			
PS833685	4TBP833685C0100	1	
For cabinets H x W = 1250 x 750 Front plate height = 28 mm			
PS833686	4TBP833686C0100	1	
Metal: RAL 7035 epoxy coating Note: not required for H x W = 1000 x 750 cabinets			


General Purpose Enclosures

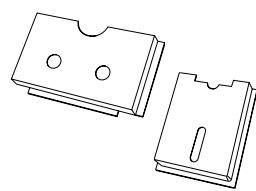
PolySafe - Accessories

Product	Type	Order code	Pack
Ventilation grille 			
	PS832019	4TBP832019C0100	1
Adaptable to the ventilation opening. Kit comprises 2 grilles and 4 nylon screws.			
			

Product	Type	Order code	Pack
Air vents IP44 			
	Set of 2 polyamide pieces RAL 7035		
	PS833677	4TBP833677C0100	1
2 fins must be provided per enclosure in order to provide efficient ventilation and to prevent the formation of condensation. Supplied with a template and fixings. It is recommended to install the fins in the upper and lower sections of the enclosure.			
			

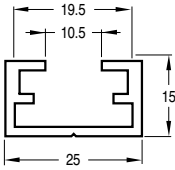
Product	Type	Order code	Pack
Screws 			
Mounting plate installation kit (8 nuts and bolts).			
	PS833790	4TBP833790C0100	1 set
7.2 x 22 + M8 x 19 assembly screws for assembling the mounting plate and side panel with the lower panel/hood.			
	PS833687	4TBP833687C0100	100
7.2 x 22 securing screw for rear panel			
	PS833688	4TBP833688C0100	100

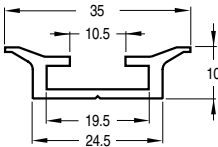
Product	Type	Order code	Pack
Metal frame			
For PS220 and PS320, for temporary connection enclosures.			
	AR891854	4TBA891854C0100	1
			

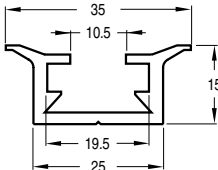
Product	Type	Order code	Pack
Document pocket 			
	DIN A4 - BxL = 325x180mm		
	AR811516	4TBC811516C0100	1
	DIN A5 - BxL= 155x225mm		
	PS832000	4TBP832000C0100	1

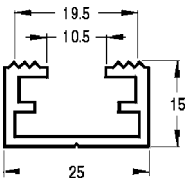
General Purpose Enclosures

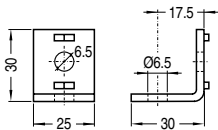
PolySafe - Alu frame mounting accessories

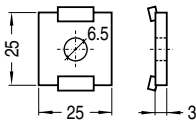
Product	Type	Order code	Pack
Alu profiles (mm)			
	Enclosure width 500 - Profile length 468	PS833537	4TBP833537C0100 1
	Enclosure width 750 - Profile length 718	PS833538	4TBP833538C0100 1
	Enclosure width 1000 - Profile length 968	PS833539	4TBP833539C0100 1
	Enclosure width 1250 - Profile length 1218	PS833540	4TBP833540C0100 1

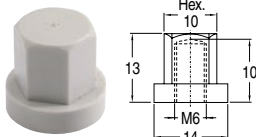
Product	Type	Order code	Pack
Alu profiles (mm)			
	Enclosure width 500 - Profile length 468	PS833545	4TBP833545C0100 1
	Enclosure width 750 - Profile length 718	PS833546	4TBP833546C0100 1
	Enclosure width 1000 - Profile length 968	PS833547	4TBP833547C0100 1
	Enclosure width 1250 - Profile length 1218	PS833548	4TBP833548C0100 1

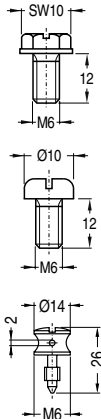
Product	Type	Order code	Pack
Alu profiles (mm)			
	Enclosure width 500 - Profile length 468	PS833541	4TBP833541C0100 1
	Enclosure width 750 - Profile length 718	PS833542	4TBP833542C0100 1
	Enclosure width 1000 - Profile length 968	PS833543	4TBP833543C0100 1
	Enclosure width 1250 - Profile length 1218	PS833544	4TBP833544C0100 1

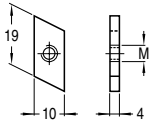
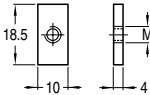
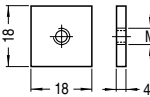
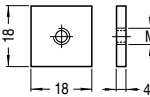
Product	Type	Order code	Pack
Alu profiles (mm)			
	Profile length 3000	ACC811417	4TBC811417C0100 1

Product	Type	Order code	Pack
Mounting brackets			
	ACC811463	4TBC811463C0300	100

Product	Type	Order code	Pack
Support for slide nut			
	PS833528	4TBP833528C0100	100

Product	Type	Order code	Pack
Nut made from insulating material			
	RAL 7035	KIM601225	2CDB601225R0000 100

Product	Type	Order code	Pack
Screws			
	M6 flange screw	ACC811483	4TBC811483C0100 100
	M6 x 12 screw	PS833655	4TBP833655C0100 100
	PVC M6 screw for cover plate (sealable)	ACC811451	4TBC811451R0100 100

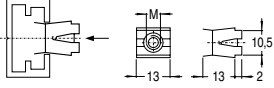
Product	Type	Order code	Pack
Metal nut			
	M6	ACC811435	4TBC811435C0100 100
		M4	ACC811438
		M6	ACC811442
		M8	ACC811447

General Purpose Enclosures

PolySafe - Alu frame mounting accessories

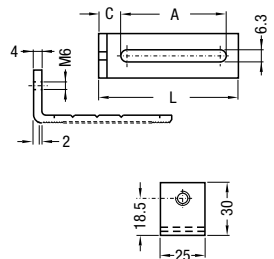
Product	Type	Order code	Pack
---------	------	------------	------

PVC nuts			
	M6		
	ACC811443	4TBC811443C0100	100

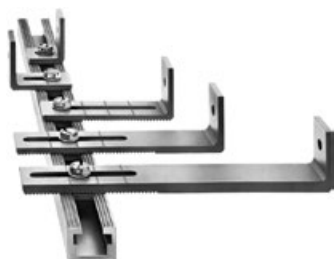
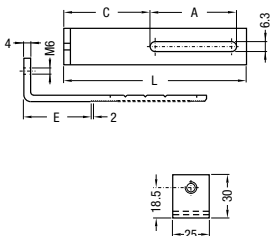


Brackets			
-----------------	--	--	--

	L = 40 - A = 24 - C = 9,5		
	ACC811478	4TBC811478R0100	100
	L = 80 - A = 64 - C = 9,5		
	ACC811479	4TBC811479R0100	100

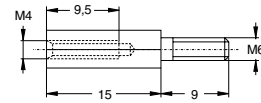


	L = 120 - A = 64 - C = 49,5 - E = 41.5		
	ACC811480	4TBC811480C0100	100



Product	Type	Order code	Pack
---------	------	------------	------

Spacers			
Type 1 - M4-M6			
	L = 15		
	ACC811336	4TBC811336C0100	100



Spacers			
----------------	--	--	--

Type 2 - M6-M6			
	L = 15		
	ACC811337	4TBC811337C0100	100
	L = 20		
	ACC811338	4TBC811338C0100	100
	L = 25		
	ACC811454	4TBC811454R0100	100
	L = 30		
	ACC811339	4TBC811339C0100	100
	L = 35		
	ACC811455	4TBC811455R0100	100
	L = 45		
	PS811456	4TBP811456R0100	100
	L = 55		
	ACC811457	4TBC811457R0100	100
	L = 65		
	ACC811458	4TBC811458R0100	100
	L = 70		
	ACC811340	4TBC811340C0100	100
	L = 80		
	ACC811460	4TBC811460R0100	100
	L = 100		
	ACC811461	4TBC811461R0100	100
	L = 120		
	ACC811341	4TBC811341C0100	100

Spacers			
----------------	--	--	--

Type 3 - M6-M6			
	L = 60		
	ACC811342	4TBC811342C0100	100
	L = 30		
	ACC811343	4TBC811343C0100	100

