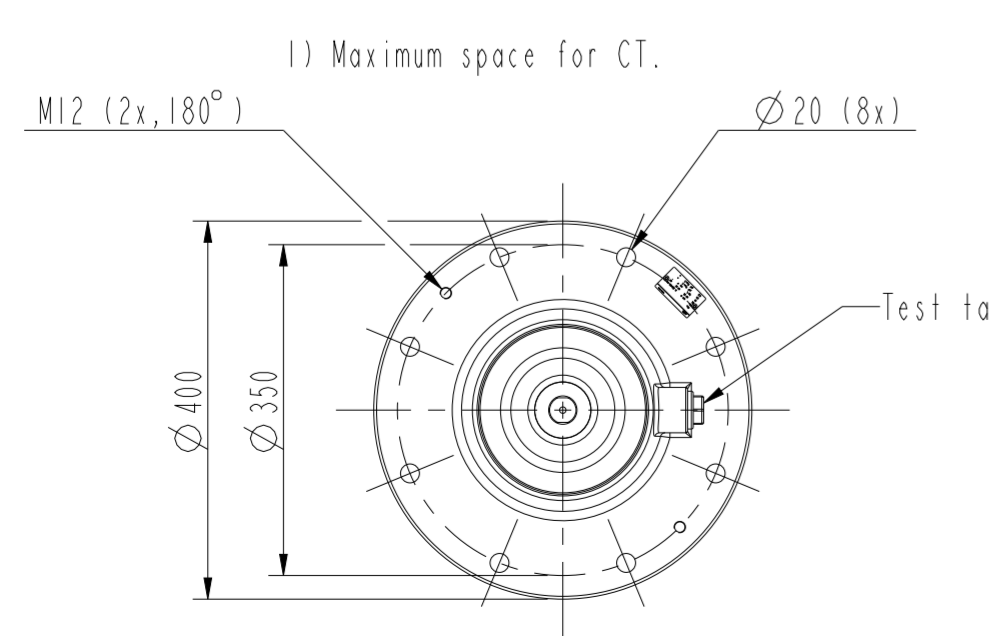
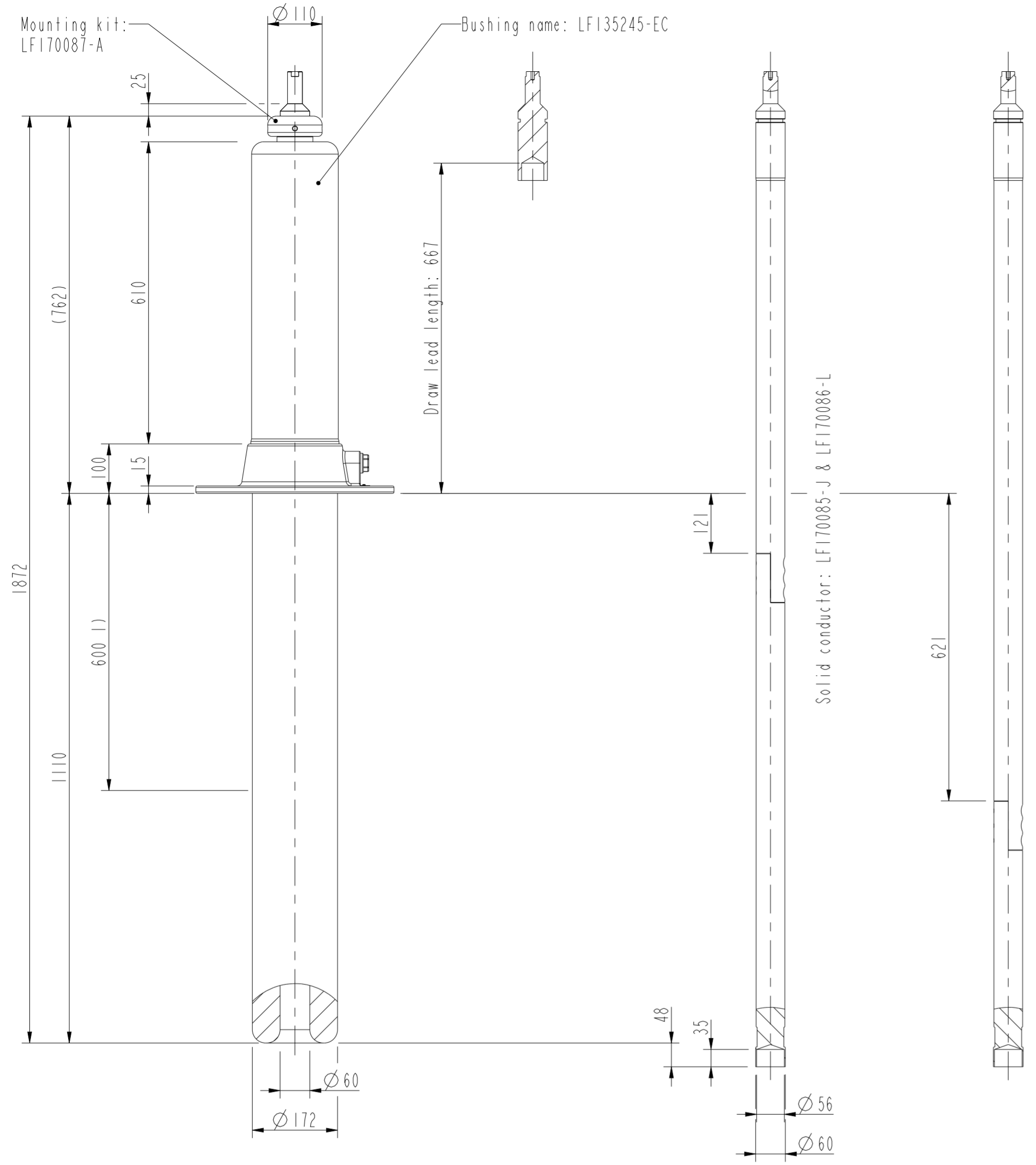


This document is issued by means of a computerized system. The digitally stored original is electronically approved. The approved document has a date entered in the "Approved"-field. A manual signature is not required.

Revision: Revision text
D Electrical data updated.

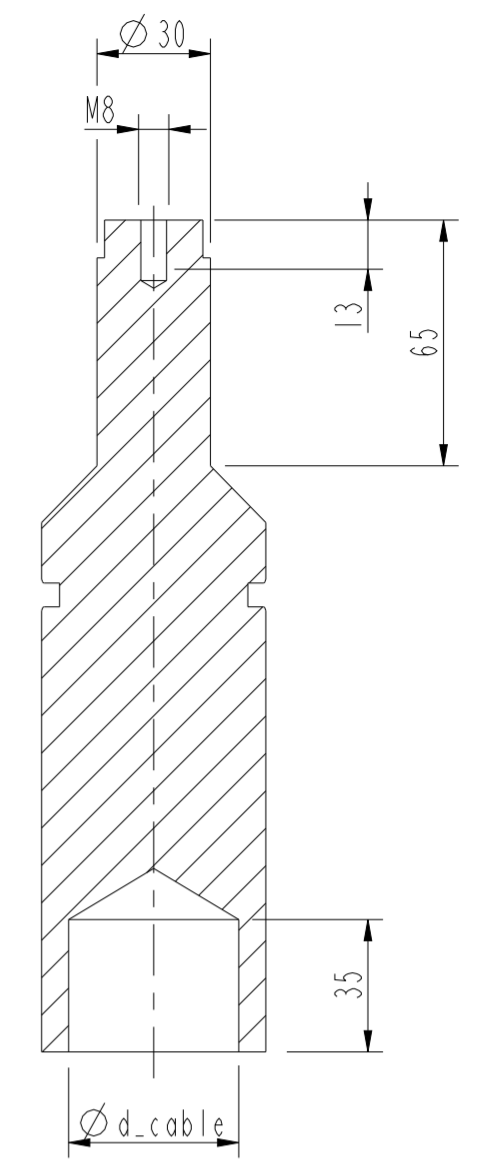


Conductor, upper (Cu)	
Catalog No.	MASS
LF170085-J	23
LF170085-L	34

Conductor, lower (Cu)	
Catalog No.	MASS
LF170086-J	10
LF170086-L	22

Mass: 3.5 kg

Terminal (Cu)	
Catalog No.	d_cable
LF170084-A	5
LF170084-B	11
LF170084-C	13
LF170084-D	15
LF170084-E	18
LF170084-F	30
LF170084-G	42
LF170084-H	45
LF170084-I	50
LF170084-J	54



ELECTRICAL DATA acc. to IEC 60137			
Ratings	Rated voltage	245	kV
	Max. phase to earth voltage	141	kV
	Max. phase to earth voltage, temporary	196	kV
	Max. current with Cu-conductor	1600	A
	Max. current with stranded cable 1200 mm ²	1250	A
	Dry lightning impulse	1050	kV
Routine test	Switching impulse	850	kV
	Dry power frequency	505	kV
Capacitance	Nominal capacitance	360	pF

GENERAL DATA acc. to IEC 60137			
Mass	Mass bushing	48	kg
Cantilever load	Cantilever test load, according to IEC 60137	4000	N
	Max. cantilever operating load, bushing	2000	N
Mounting and service instructions		2750515-138	

ELECTRICAL DATA acc. to ANSI C57.19.00			
Ratings	Insulation class	230	kV
	Rated max. line to ground voltage	146	kV
	Max. current with Cu-conductor	1600	A
	Max. current with stranded cable 1295 mm ²	1250	A

Dim. requirements acc. to C57.19.01 not fulfilled

Approved 2021-06-08	Document Kind Dimension Drawing	Based on doc. id	Work order id	Project id
Company ABB Technology Ltd	Title, Supplementary title Dimension drawing GSA 245-00 1600/0.6			
Responsible Department SEABB-9AAE300824	Måttskiss GSA 245-00 1600/0.6			
ABB		Document id 2751365-EC	Status Released	Revision D
			Iteration 1/1	Sheet 1/1

ABB Ludvika, Sweden

GSA 245-00/1600/0.6 LF135245-EC

No.

Um 245 kV Ir1600 A 50/60 Hz

BIL 1050 kV SIL 850 kV AC 505 kV

M 48 kg L 1110 mm ∠ 0-90°

C1 pF Tan δ x

C2 pF Tan δ x

We reserve all rights in this document and in the information contained therein. Reproduction, use or disclosure to third parties without express authority is strictly forbidden.