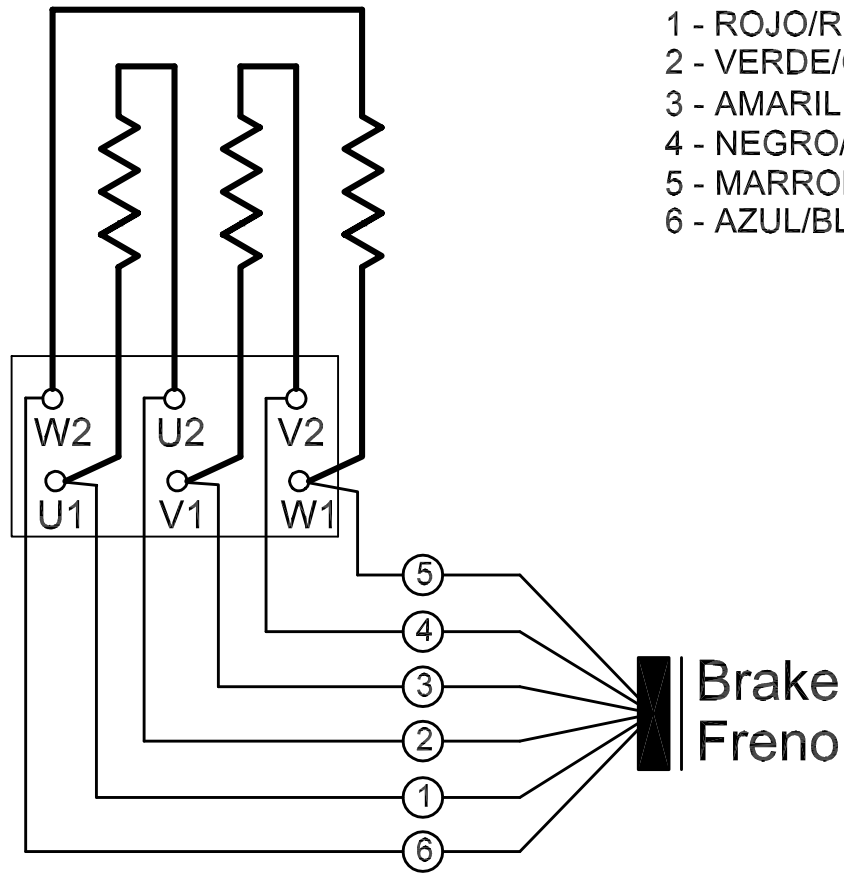
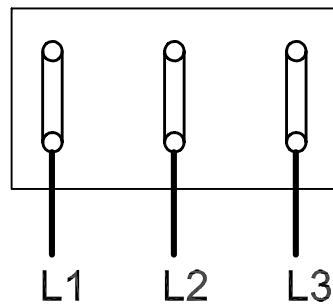


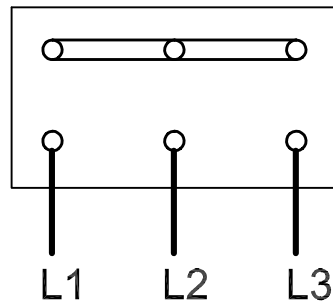
One speed three-phase motor.  
 Motor trifásico de una velocidad.



- 1 - ROJO/RED
- 2 - VERDE/GREEN
- 3 - AMARILLO/YELLOW
- 4 - NEGRO/BLACK
- 5 - MARRON/BROWN
- 6 - AZUL/BLUE



△ connection.  
 conexión △.



Y connection.  
 conexión Y.

This document must not be copied without our written permission, and the contents thereof must not be imparted to a third party nor be used for any unauthorized purpose. Contravention will be prosecuted.  
 ABB Automation Products, S.A. Div. Motores (ES) 2001

Form No.	Sheet	Cont.
	Year	Week
Design checked by	Dept.	Rev Ind
	Year	Week
Drawn by		

1	Plano pasado a sistema CAD	IKA	02	14
RevInd	Revision	Appd	Year	Week

Accepted by qual control ARTIGAS <i>A</i>	Accepted for prod by SANZ <i>S</i>	Description(English) CONNECTION DIAGRAM	M3ARS 090-160
Design checked by SOLER <i>A</i>	Drawn by CANO <i>C</i>	Description(own language) ESQUEMA CONEXIONES	
Drawing checked by BLANES <i>B</i>	Issued by MPI	Year 92	Week 50
ABB Automation Products, S.A. División Motores		AC 4340 5015-1	RevInd 1 Sheet 1 Cont -