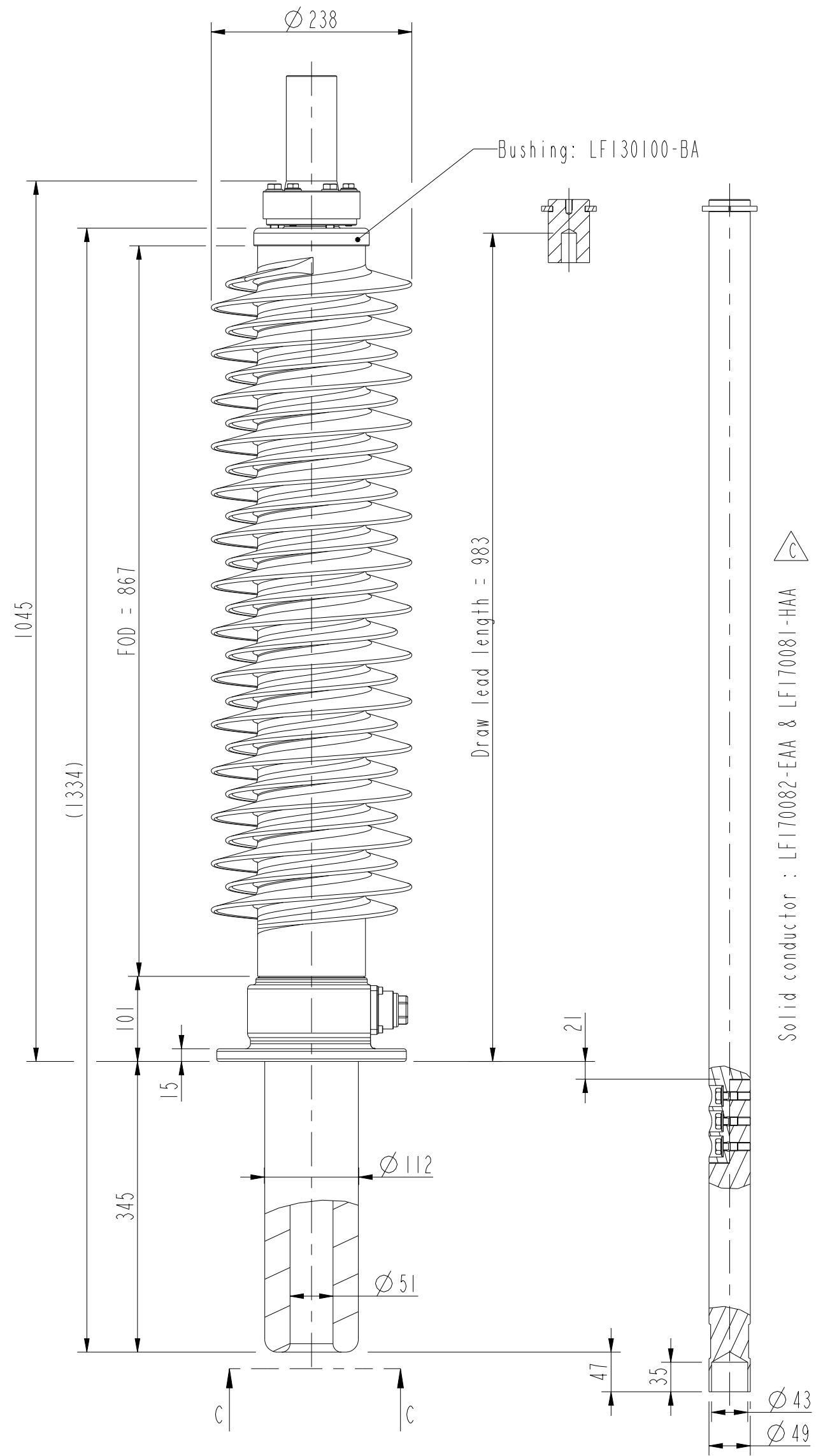
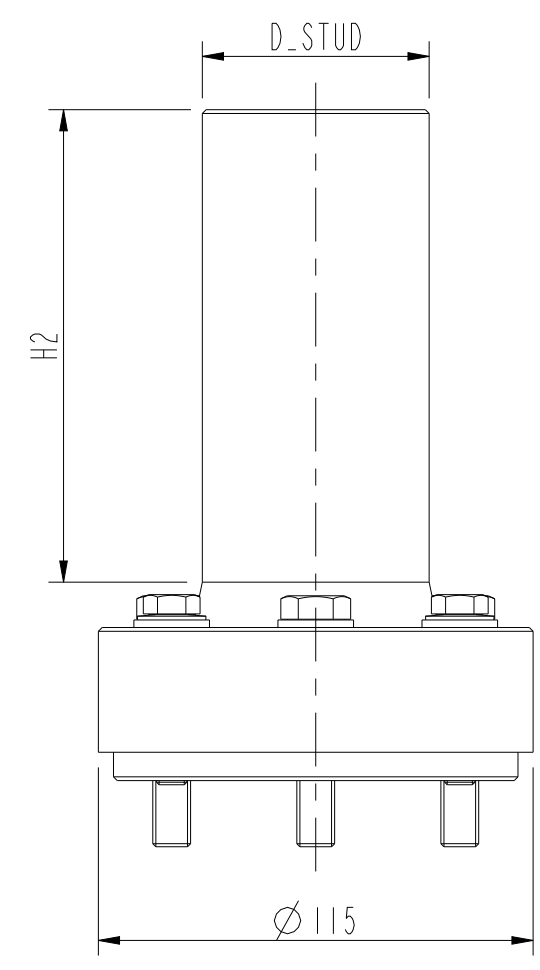
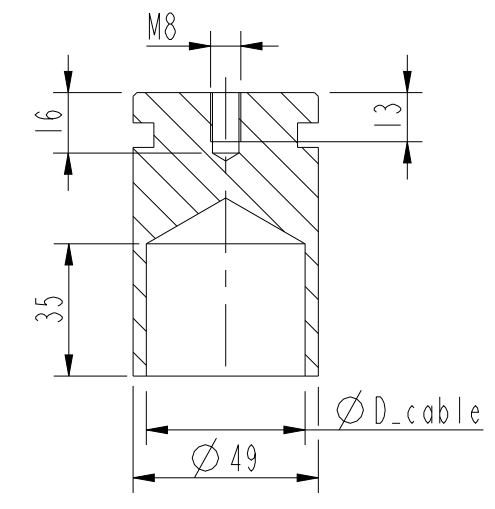


This document is issued by means of a computerized system. The digitally stored original is electronically approved. The approved document has a date entered in the "Approved"-field. A manual signature is not required.

Revision: Revision text  
C Solid conductor added



INNER TERMINAL	
Catalogue. No.	D_CABLE
LF170080-A	5
LF170080-B	11
LF170080-C	13
LF170080-D	15
LF170080-E	18
LF170080-F	30
LF170080-G	42
LF170080-H	45



OUTER TERMINAL				
Catalogue No	MATERIAL	MASS	H2	D_STUD
LF170079-A	Al	2,3	125	60
LF170079-B	Al	1,5	125	30
LF170079-C	Cu	6,1	125	60
LF170079-D	Cu	3,5	125	30
LF170079-E	Cu/Sn	6,1	125	60
LF170079-F	Cu/Sn	3,5	125	30
LF170079-G	Cu/Ag	6,1	125	60
LF170079-H	Cu/Ag	3,5	125	30
LF170079-K	Cu	4,5	150	40
LF170079-AH	Cu	4,1	125	1 1/2" UNF
LF170079-AK	Cu/Ag	3,9	100	1 1/2" UNF
LF170079-AL	Cu/Ag	4,9	190	40
LF170079-AM	Cu/Ag	3,8	100	38

SOLID CONDUCTOR	
Catalogue No	MASS
LF170081-HAA	18,2

SOLID CONDUCTOR	
Catalogue No	MASS
LF170082-EAA	4,7

△ Solid conductor : LF170082-EAA & LF170081-HAA

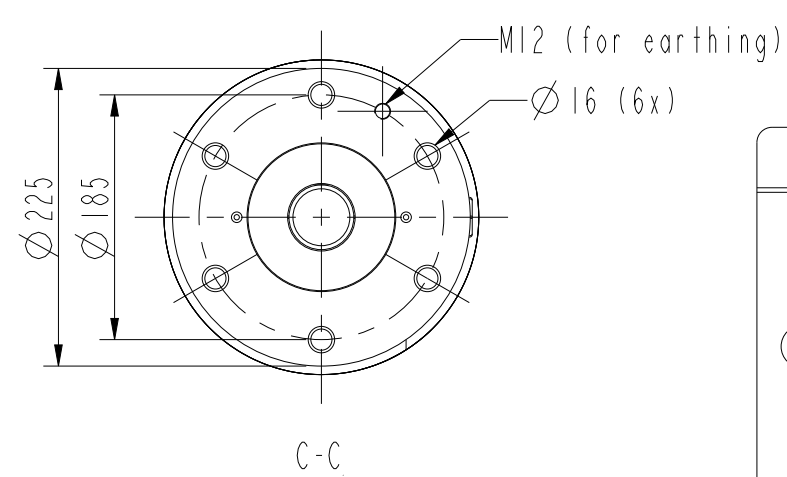
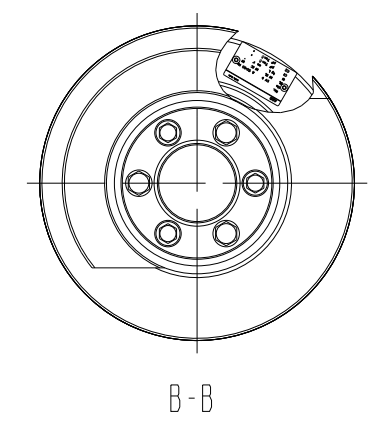
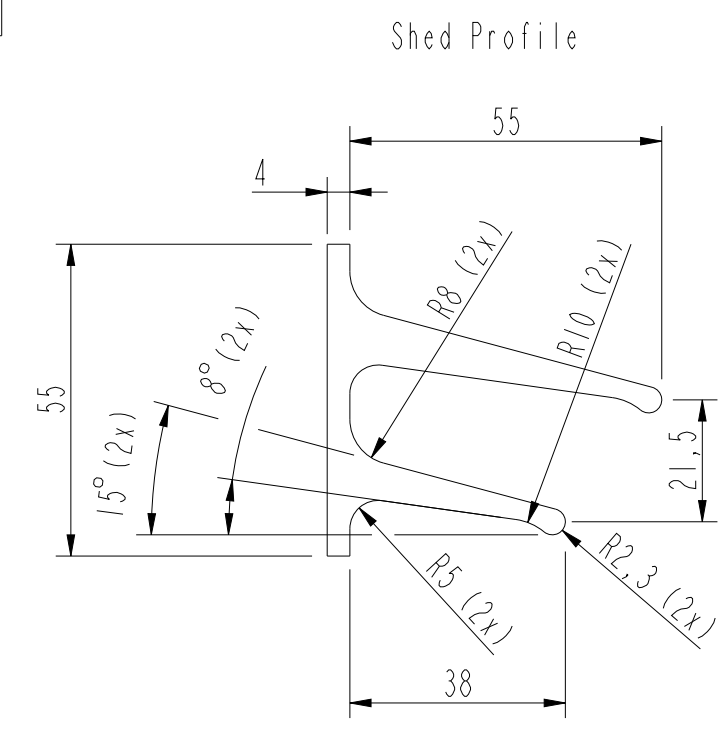


ABB		Ludvika, Sweden	
GSA 100-OA 1600/0		LF130100-BA	
No.			
Um	100 kV	Ir	1600 A
BIL	450 kV SIL	-	kV AC 205 kV
M	24 kg	L	345 mm
C1	pF	Tan δ	x
C2	pF	Tan δ	x

ELECTRICAL DATA, acc. to IEC 60137			
Ratings	Rated Voltage	100	kV
	Max. phase to earth voltage	71	kV
	Max. phase to earth voltage, temporary	100	kV
	Max. current with Cu-conductor	1600	A
	Max. current with stranded cable 740 mm <sup>2</sup>	1250	A
	Dry lightning impulse	450	kV
	Wet power frequency	185	kV
Routine test	Dry power frequency	205	kV
Capacitance	Nominal capacitance	294	pF

GENERAL DATA, acc. to IEC 60137			
Silicone rubber insulator	Creepage distance	3150	mm
	Protected creepage distance	2600	mm
	Colour	Light GREY	ANSI 70
Mass	Mass bushing	24	kg
Cantilever	Cantilever test load, heavy load	4000	N
Load	Max. cantilever operating load, bushing	2000	N
Ambient temperature		+40° to -40°C	
Mounting and Service instructions		2750 515-115	

Approved 2019-05-16	Document Kind Outline Drawing	Based on doc.id	Work order id	Project id
Company ABB Technology Ltd	Title, Supplementary title Dimension drawing GSA 100-OA 1600/0			
Responsible Department SEABB-9AAE300824	Mättskiss GSA 100-OA/1600/0			
ABB		Document id 2751362-CBA	Status Released	Revision Iteration Sheet C 1/1