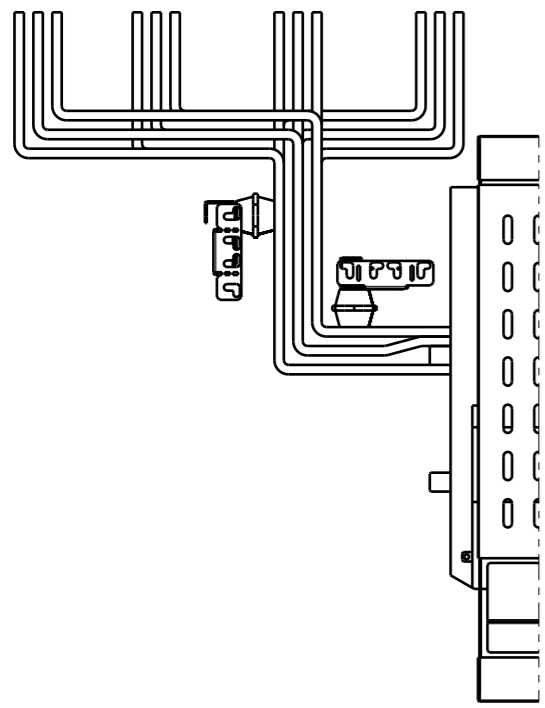
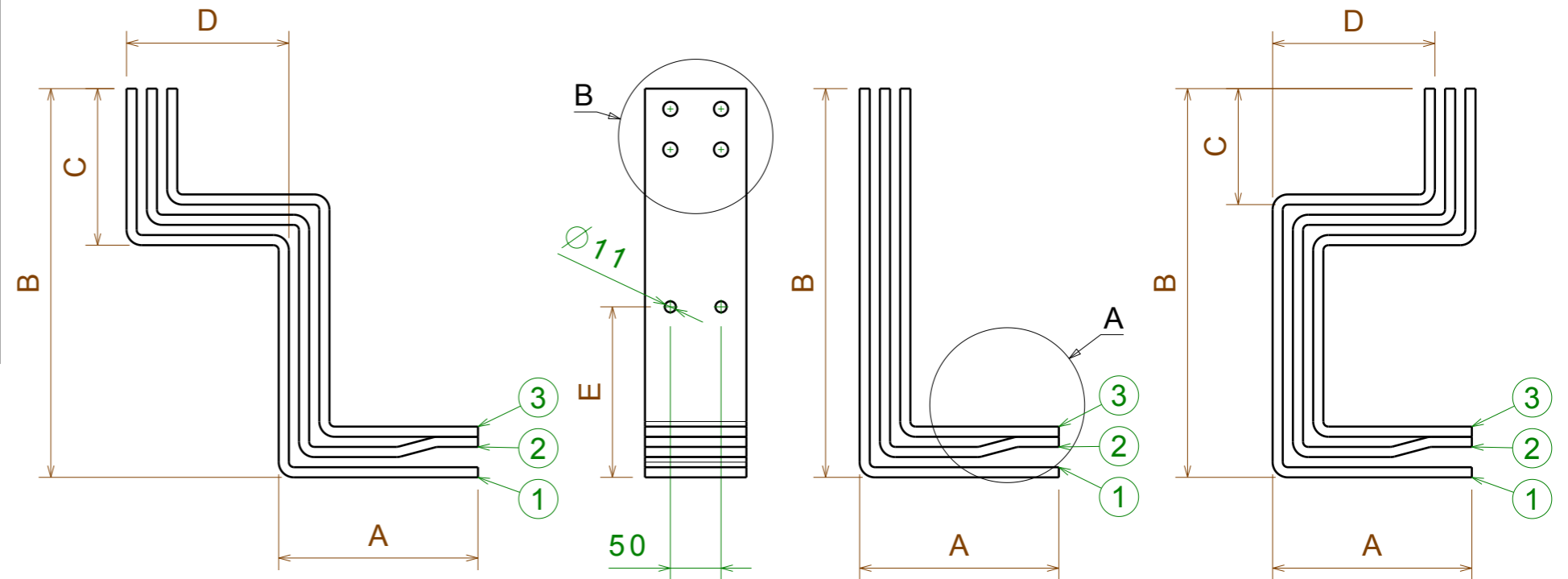


CONNECTIONS FOR E4.2 WITHDRAWABLE 3200A

SPEP P = 900mm
 BUSBARS HOLDER PBHB3121 (100mm)
 MAIN BUSBAR IP40 / IP41 / IP65 : 6300A (3x200x10)



MAIN
 BUSBARS
 UP

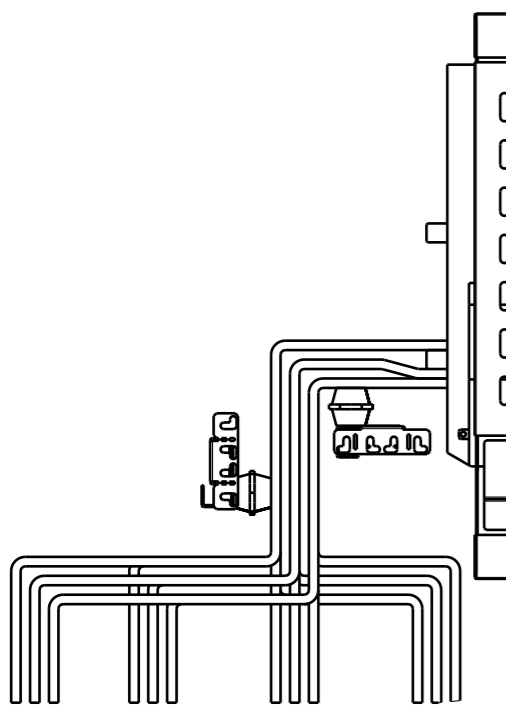
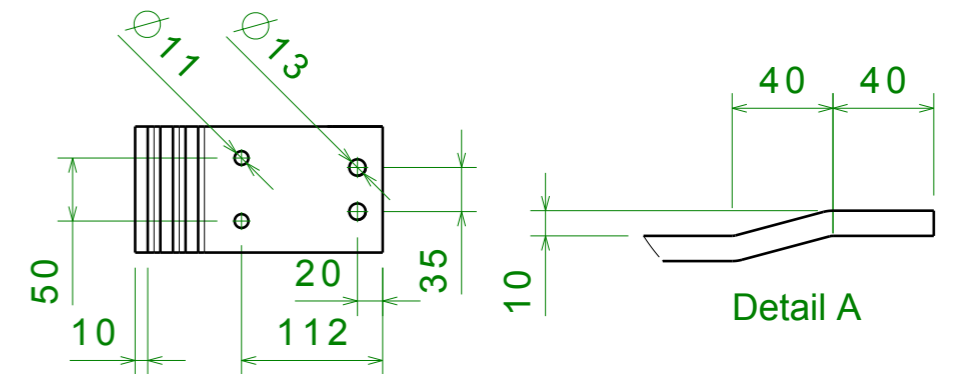
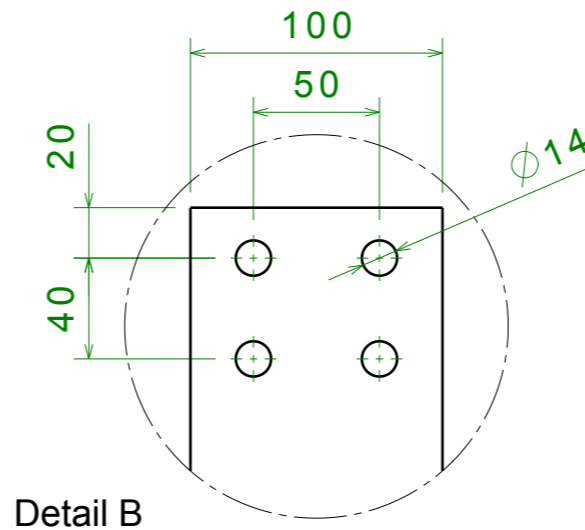


N-L1

L2

L3

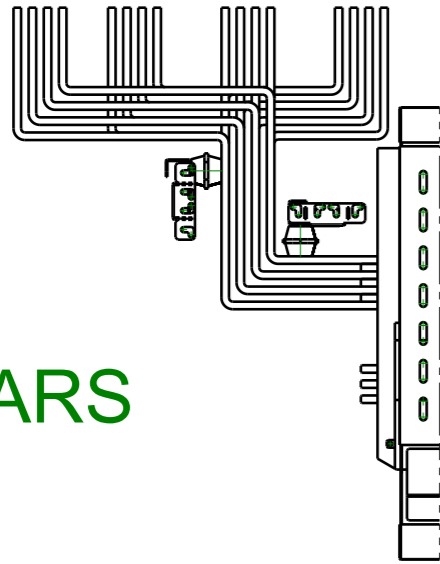
PHASE	POS	A	B	C	D	E
L3	1 L3.1	196.4	383	114.25	160	168
	2 L3.2	176.4	363	134.25	160	148
	3 L3.3	156.4	343	154.25	160	128
L2	1 L2.1	196.4	383	-	-	168
	2 L2.2	176.4	363	-	-	148
	3 L2.3	156.4	343	-	-	128
L1	1 L1.1	196.4	383	154.25	160	168
	2 L1.2	176.4	363	134.25	160	148
	3 L1.3	156.4	343	114.25	160	128
N	1 N.1	196.4	383	154.25	285	168
	2 N.2	176.4	363	134.25	285	148
	3 N.3	156.4	343	114.25	285	128



MAIN
 BUSBARS
 DOWN

AGG. DI SEGNO	SCALA SCALE	: 1:6	N° PROGETTO : PROJECT	XXX.XX
DISEGNATORE DESIGNER	APPROVAZIONE : APPROVAL		ABB SACE ADB	
MODIFICA	DATA DATE	: xx-xx-xx	DENOMINAZIONE/NAME: E4.2 3200A W CONNECTION BUSBARS 3x100x10xP	
DATA	Formato A3 Formed		DISEGNO N° /DRAWING N° 8 6 3 8 6 6	

MAIN BUSBARS UP

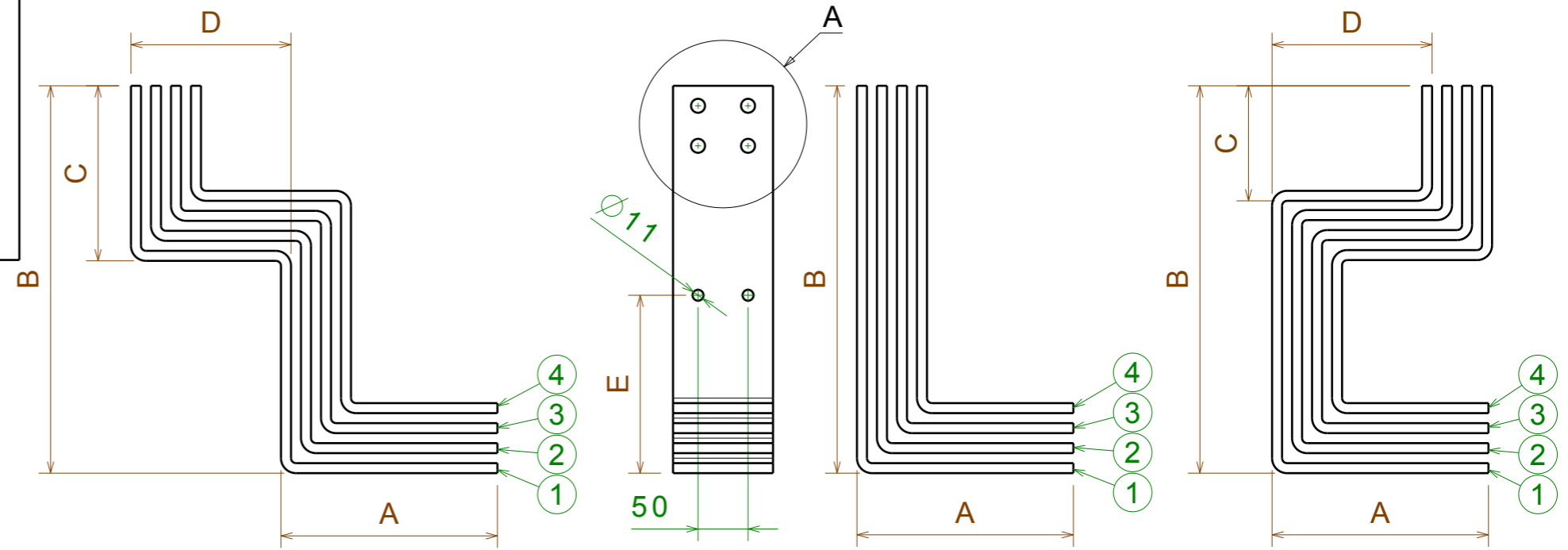


	B	E
L3.1	398.75	183
L3.2	378.75	163
L3.3	358.75	143
L3.4	338.75	123
L2.1	398.75	183
L2.2	378.75	163
L2.3	358.75	143
L2.4	338.75	123
L1.1	398.75	183
L1.2	378.75	163
L1.3	358.75	143
L1.4	338.75	123
N.1	398.75	183
N.2	378.75	163
N.3	358.75	143
N.4	338.75	123

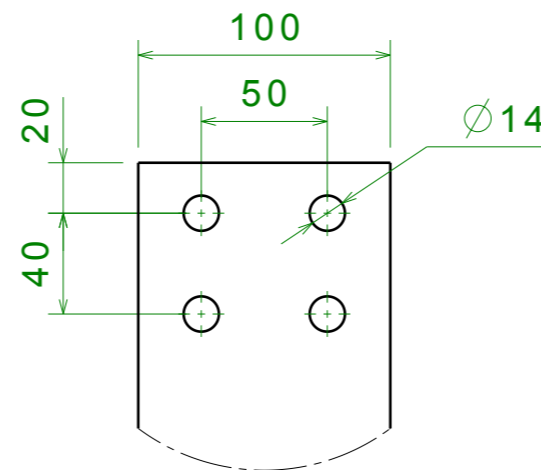
PHASE	POS	A	C	D	
L3	1	L3.1	216.4	115	160
	2	L3.2	196.4	135	160
	3	L3.3	176.4	155	160
	4	L3.4	154.4	175	160
L2	1	L2.1	216.4	-	-
	2	L2.2	196.4	-	-
	3	L2.3	176.4	-	-
	4	L2.4	154.4	-	-
L1	1	L1.1	216.4	175	160
	2	L1.2	196.4	155	160
	3	L1.3	176.4	135	160
	4	L1.4	154.4	115	160
N	1	N.1	216.4	175	285
	2	N.2	196.4	155	285
	3	N.3	176.4	135	285
	4	N.4	154.4	115	285

CONNECTIONS FOR E4.2 WITHDRAWABLE 4000A

SPEP P=900mm
 BUSBARS HOLDER PBHB3121 (100mm)
 MAIN BUSBARS IP40 / IP41 / IP65 : 6300A (3x200x10)

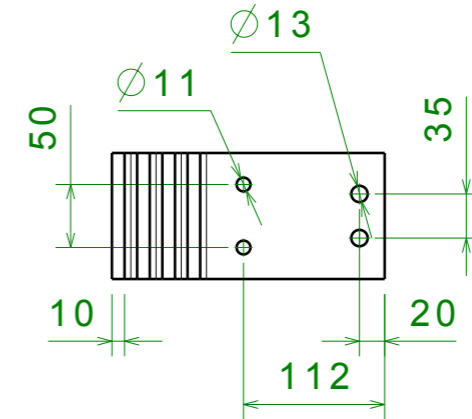


N-L1



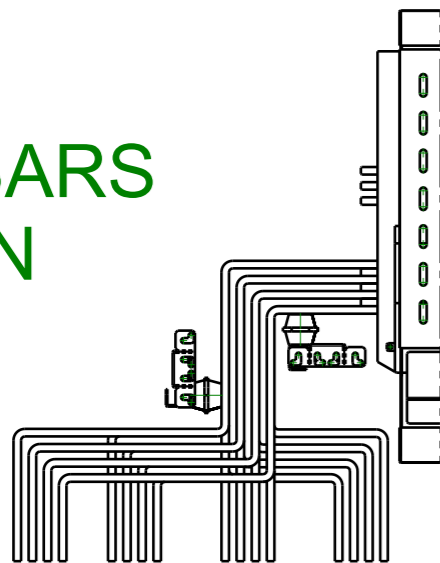
Dettaglio A
 Scala: 1:3

L2



L3

MAIN BUSBARS DOWN



	B	E
L3.1	397.25	177.85
L3.2	377.25	157.85
L3.3	357.25	137.85
L3.4	337.25	117.85
L2.1	397.25	177.85
L2.2	377.25	157.85
L2.3	357.25	137.85
L2.4	337.25	117.85
L1.1	397.25	177.85
L1.2	377.25	157.85
L1.3	357.25	137.85
L1.4	337.25	117.85
N.1	397.25	177.85
N.2	377.25	157.85
N.3	357.25	137.85
N.4	337.25	117.85

AGG. DI SEGNO	SCALA SCALE : 1:6	N° PROGETTO : XXX.XX
DESIGNER	DESIGNER :	PROJECT
APPROVAZIONE	APPROVAL	ABB ABB SACE ADB
DATE	DATE : xx-xx-xx	DENOMINAZIONE/NAME:
FORMATO	Formato A3 Formed	E4.2 4000A W CONNECTION BUSBAS 4x100x10xP
		DISEGNO N° /DRAWING N°
		8 6 3 9 1 9