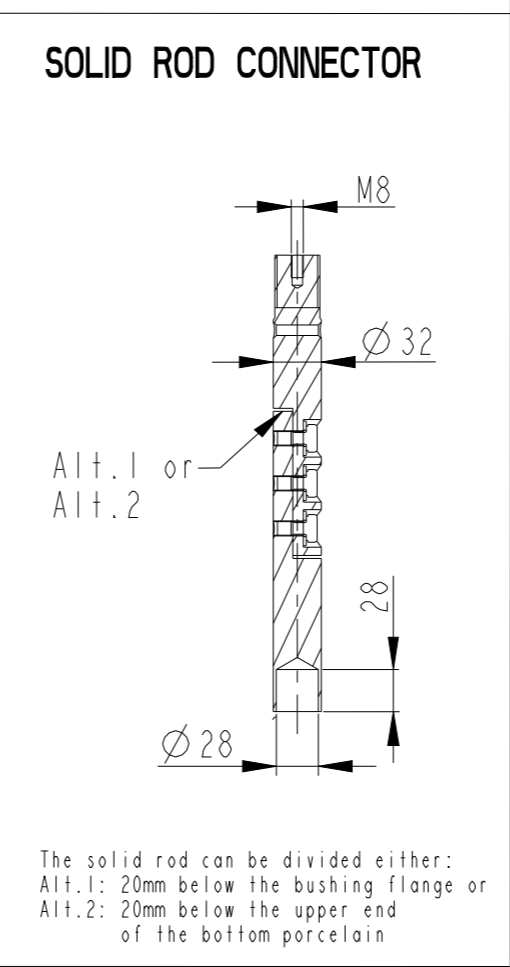
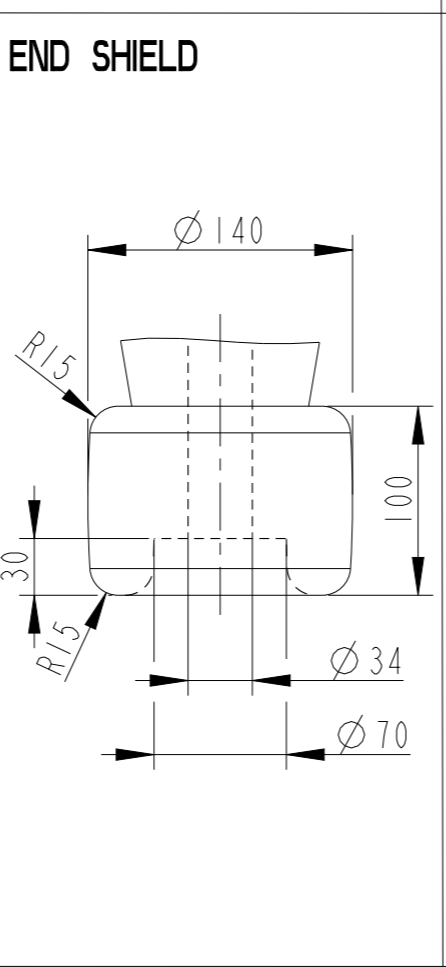
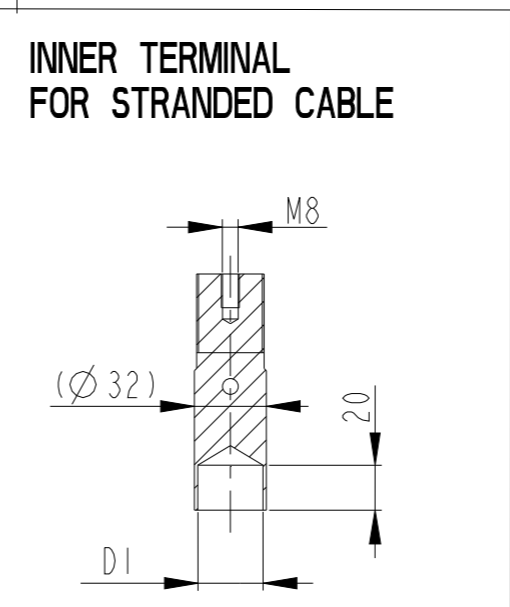
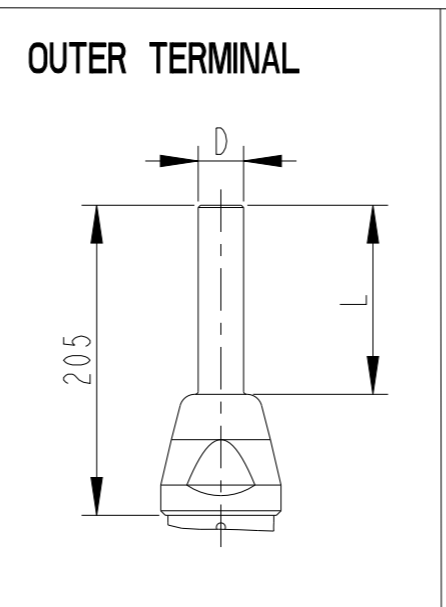
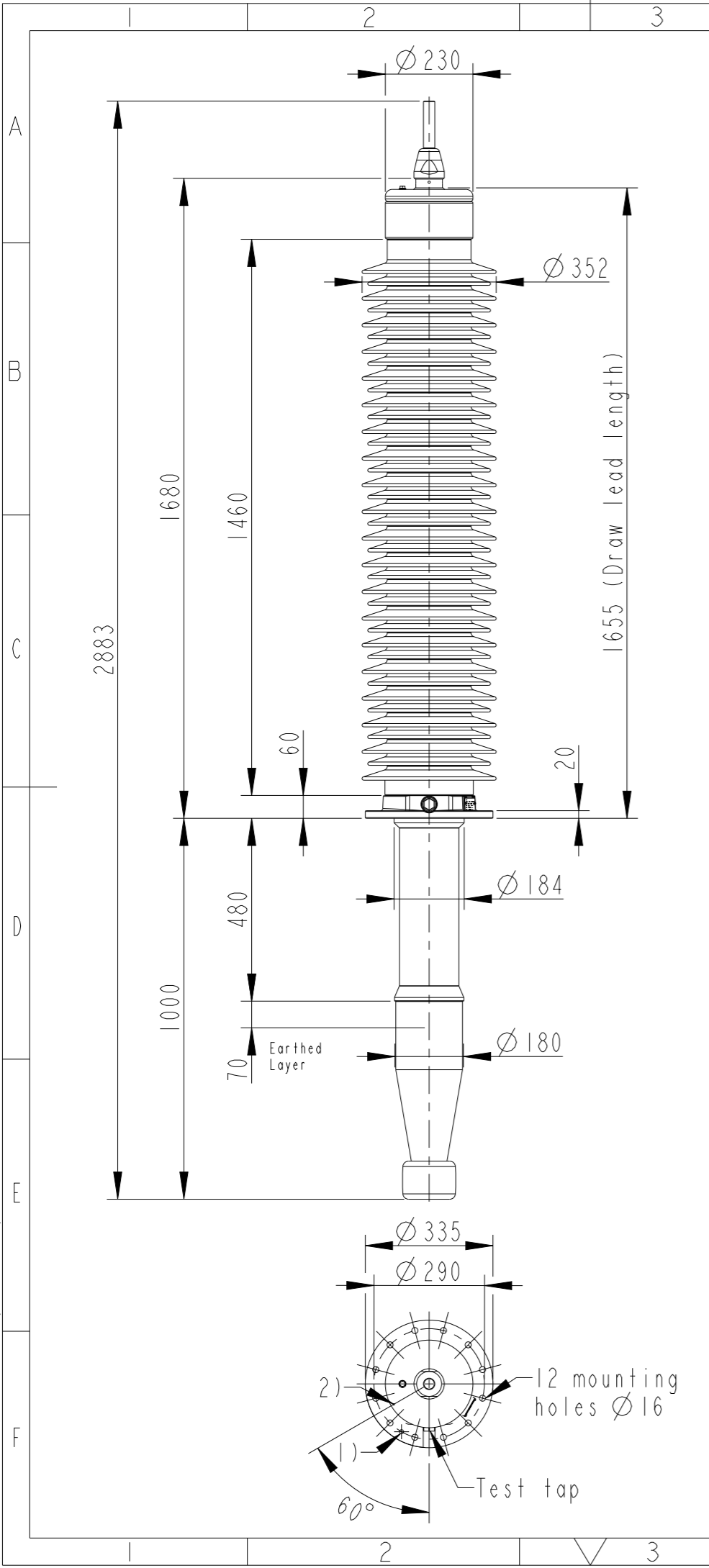


This document is issued by means of a computerized system. The digitally stored original is electronically approved. The approved document has a date entered in the "Approved"-field. A manual signature is not required.

We reserve all rights in this document and in the information contained therein. Reproduction, use or disclosure to third parties without express authority is strictly forbidden.

Revision Revision text  
E Phase to Ground Voltage changed from 170 to 98kV



The solid rod can be divided either:  
Alt.1: 20mm below the bushing flange or  
Alt.2: 20mm below the upper end of the bottom porcelain

### Bushing Data:

Rated Voltage	170	kV
Phase to Ground Voltage	$\triangle E$ 98	kV
Dry Lightning Impulse 1,2/50 $\mu$ s	750	kV
Wet power frequency AC	325	kV
Routine test 1min dry 50Hz	365	kV
Rated Current	1250	A
Creepage Distance	5420 $\pm$ 140	mm
Creepage Distance Protected	2330	mm
Mass	244	kg

### Ordering Data:

<b>BUSHING</b>	COLOUR AIR INSULATOR
LF123079-K	BROWN
LF123079-L	LIGHT GREY
LF123079-HK	BROWN Horizontal 45°-90°
LF123079-HL	LIGHT GREY Horizontal 45°-90°
<b>OUTER TERMINAL</b>	Material D L
LF 170 002-B	Cu alloy, $\varnothing$ 30, 125
LF 170 001-B	Al, $\varnothing$ 30, 125
OTHER TYPES ON REQUEST	
<b>INNER TERMINAL FOR STRANDED CABLE</b>	
<b>For brazing</b>	Conductor area D1
LF 170 011-T	up to 285mm <sup>2</sup> $\varnothing$ 29
LF 170 011-V	Undrilled with pilot hole $\varnothing$ 5
<b>SOLID ROD CONNECTOR</b>	Material
LF 170 052 -S for Alt.1	Cu
LF 170 052 -P for Alt.2	Cu

- M12 (For Earthing)
- $\varnothing$ 4 Oil connection hole (only valid for horizontal mounting)

ABB		Ludvika, Sweden	
No.			
Um	kV Ir	A 50/60 Hz	
BL	kV SIL	kV AC	kV
M	kg L	mm	°
C1	pF Tan $\delta$	x	
C2	pF Tan $\delta$	x	

Created by Jacob Stefansson	Reviewed by Joakim Persson	Approved by Natalia Gutman
Approved 2019-11-06	Document Kind Outline Drawing	Based on doc.id -
Company ABB Technology Ltd	Title, Supplementary title GOB 750-1250-0.5 WITHOUT OIL LEVEL GAUGE STD END SHIELD	
Responsible Department SEABB-9AAE300824	Document id 2751369-167	Status Released
Revision E		Iteration 1/1