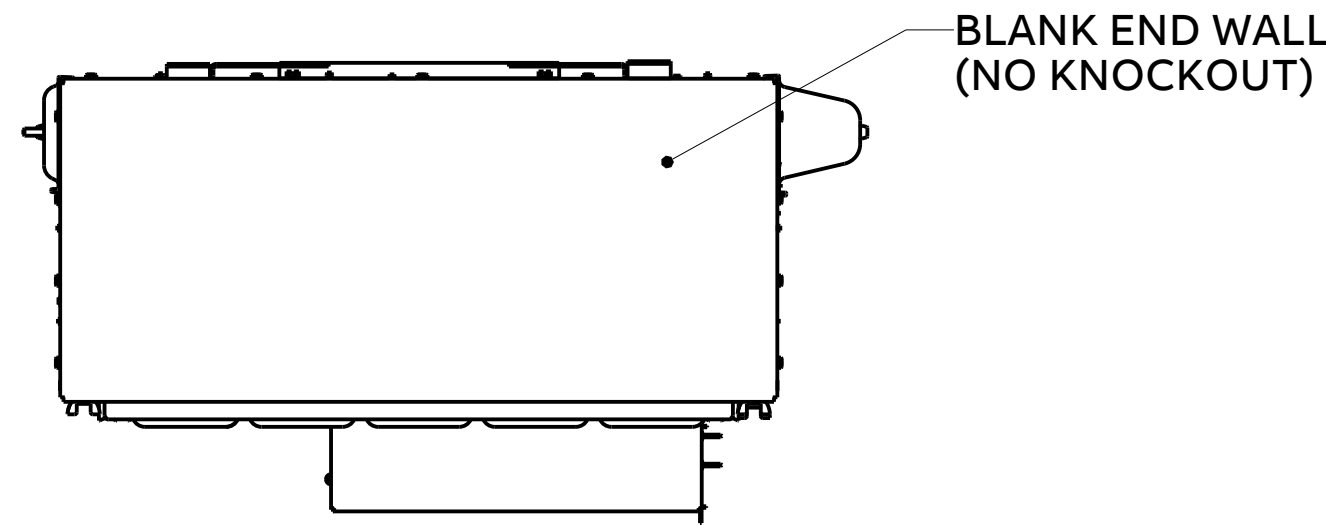
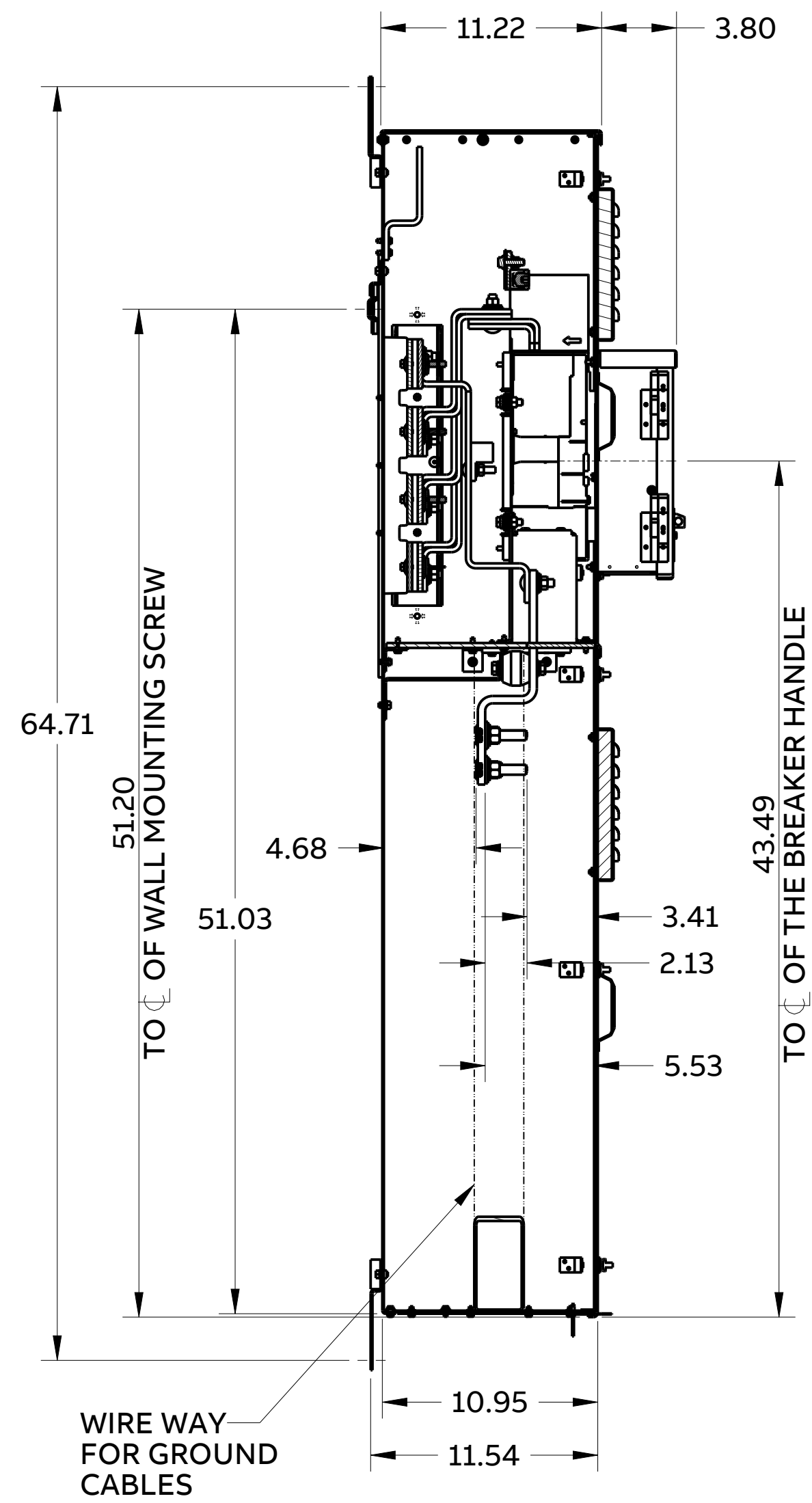


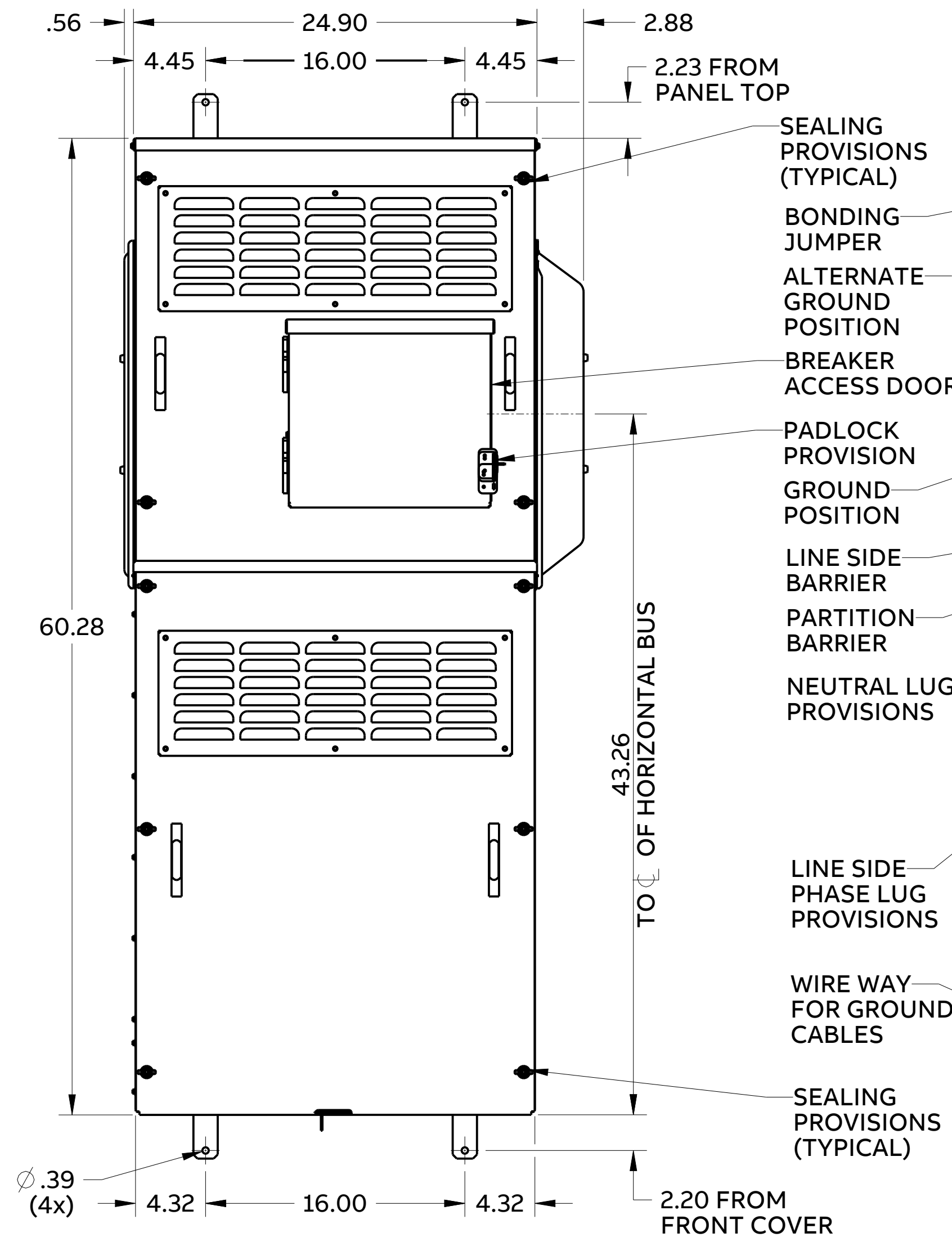
**TOP VIEW**



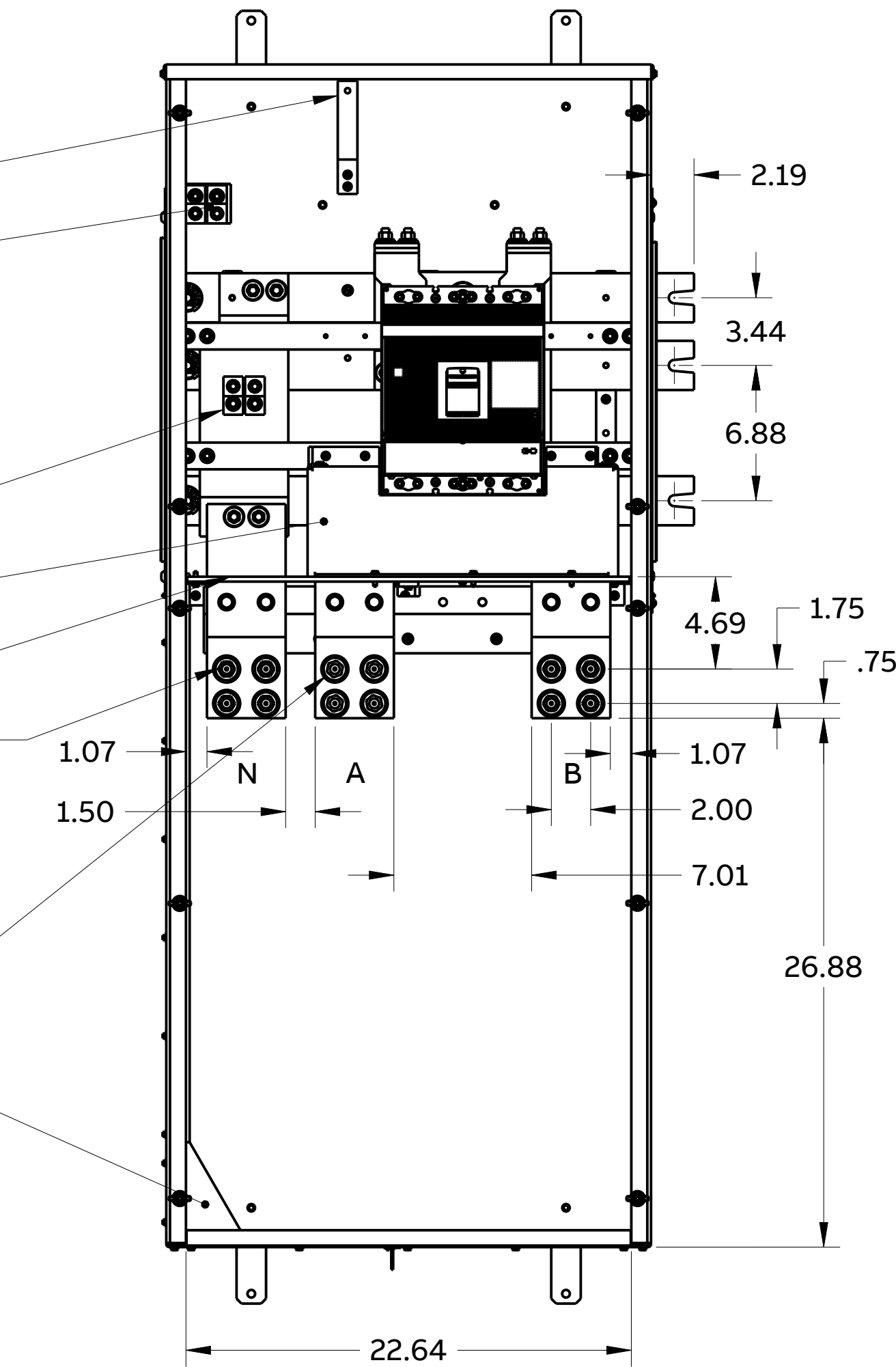
**SECTIONAL SIDE VIEW**



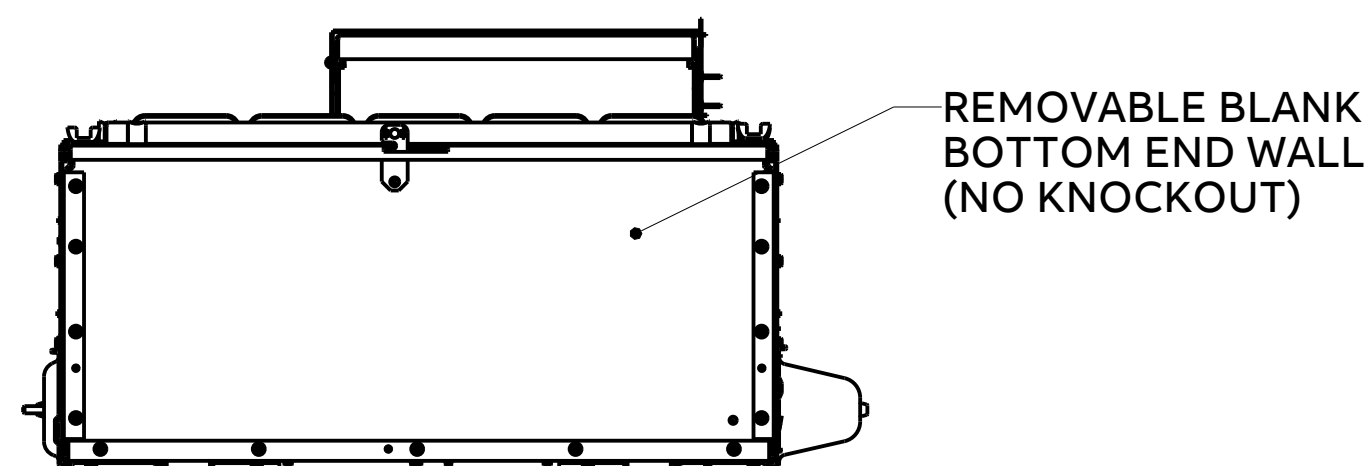
**FRONT VIEW**



**FRONT VIEW (WITH OUT FRONT COVERS)**



**BOTTOM VIEW**



**Specification:**

- Phase: 1-Phase 3-Wire
- Voltage: 120/240V
- Amperage: 800A
- Circuit Breaker Frame: XT6S
- Circuit Breaker Trip Unit: TMA
- Circuit Breaker kAIC: 100kA @ 240V
- Incoming Feed: Bottom Only
- Enclosure: N3R Outdoor
- Estimated Weight: 260 lbs
- Meets EUSERC Requirements, EUSERC Drawing Reference 315, 343, 347

**Conductor Range:**

- Phase lugs and neutral lugs not included, Landing Pad only.
- Landing Pad has provision for double hole lugs up to (2) 750kcmil Cu/Al.
- Ground Lugs: (2) #6-350 kcmil Cu/Al.



**800A MAIN BREAKER MODULE  
100kA 1PH 3W 120/240V N3R EUSERC**

| THIRD ANGLE | SHEET# | CATALOG NO. | DATE      | REV |
|-------------|--------|-------------|-----------|-----|
|             | 1 of 1 | RMM1BEH8R   | 02-Aug-23 | A   |

DIMENSIONS: INCH