

# Low Voltage Products

Enclosed switches and fusegear  
Enclosed switch-disconnectors, change-over switches  
and switch fuses

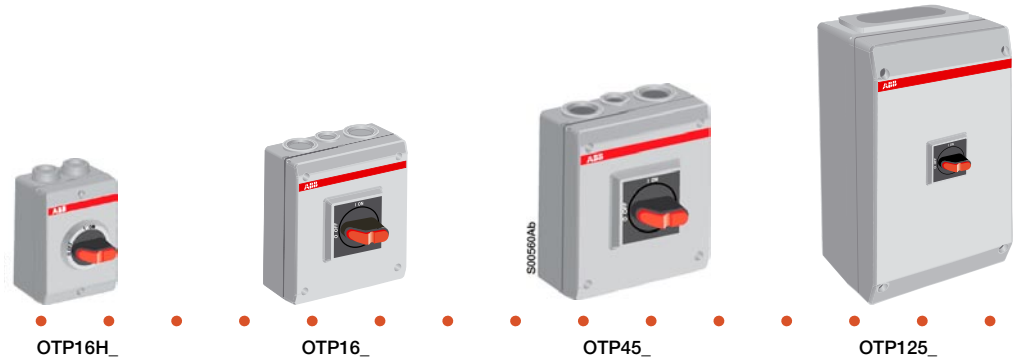


**ABB**

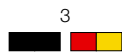


# 16...1600 A Enclosed switches

## Plastic



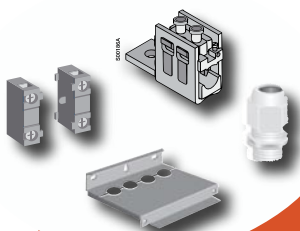
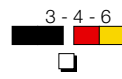
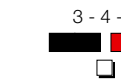
Poles  
Handle color



## Steel



Poles  
Handle color  
Stainless steel



## Accessories

Terminal clamps  
Auxiliary contacts

Cable glands  
Cable entries



# Enclosed switch-disconnectors, change-over switches and switch fuses

## Contents:

General .....	4 - 7
Technical data.....	8 - 9
Ordering information.....	10 - 39
<b>Switch-disconnectors, black handle .....</b>	<b>10 - 20</b>
Plastic enclosed switch-disconnectors	
3-pole .....	10
4-pole .....	11
6-pole .....	12
Steel sheet enclosed switch-disconnectors .....	
IP65	
3-pole .....	13
4-pole .....	14
6-pole .....	15
IP54	
3-pole .....	16
4-pole .....	17
Steel sheet enclosed change-over switches	
3-pole .....	18
4-pole .....	19
Stainless steel sheet enclosed switch-disconnectors	
3-pole .....	20
<b>Switch disconnectors, red-yellow handle.....</b>	<b>21 - 28</b>
Plastic enclosed switch-disconnectors	
3-pole .....	21
4-pole .....	22
6-pole .....	23
2-pole, solar switches.....	24
Steel sheet enclosed switch-disconnectors	
3-pole .....	25
4-pole .....	26
6-pole .....	27
Stainless steel sheet enclosed switch-disconnectors	
3-pole .....	28
<b>Enclosed switch fuses, BS type</b>	
Plastic enclosed switch fuses .....	29
Steel sheet enclosed switch fuses.....	30
<b>Enclosed switch fuses, DIN type</b>	
Plastic enclosed switch fuses .....	31
Steel sheet enclosed switch fuses.....	32
<b>Accessories</b>	
Accessories, selection overview	
Auxiliary contacts.....	34
Cable entries .....	35
Enclosure accessories .....	36 - 39
<b>Dimension drawings.....</b>	<b>40 - 47</b>
<b>Index .....</b>	<b>48 - 51</b>



OT160\_...800\_

3 - 4 - 6



OT125\_...1600\_

3 - 4 - 6





# Complete range for various applications

From 16 to 1600 A, 690 V



Resistance against UV-radiation (UL-F1)

Enclosed switches are designed and used as main switches for applications which need to be isolated from the network.

The range includes switch disconnectors, switch fuses and change-over switches enclosed in plastic, steel sheet or stainless steel sheet enclosures.

They are rated for utilisation categories including disconnecting as well as making and breaking the load. In addition the switch fuses equipped with fuse links protects the application and the cables from overload currents and shortcircuits.

## For various applications:



IP65 enclosure with several cabling options



Self extinguish polycarbonate plastic material

## Enclosure types

### Plastic

The plastic enclosures are most suitable for locations with high chemical and moisture requirements. In addition they are light and easy to install and handle.

### Steel sheet

The steel sheet enclosures are hot dip galvanised and the surface is polyester powder painted. The enclosures are durable and robust for most environments.

### Stainless steel sheet

The stainless steel sheet enclosures are made of AISI 304 stainless steel.

They are used particularly in food and beverage industry and in locations where high hygienity is required. In addition of an attractive look the surface does not require any painting and the smooth surface is easy to clean.



# Plastic enclosed switch-disconnectors, type OTP

## Features

- Degree of protection: IP 65, IEC 60529
- Self extinguishing plastic: V-O, UL 94
- Resistance against UV-radiation: F 1, UL 746C
- Standard IEC 60947-3 for Switch-disconnectors
- European Standard EN60204 Safety of machinery
- Cable outlets M or Pg sized threaded knock-outs

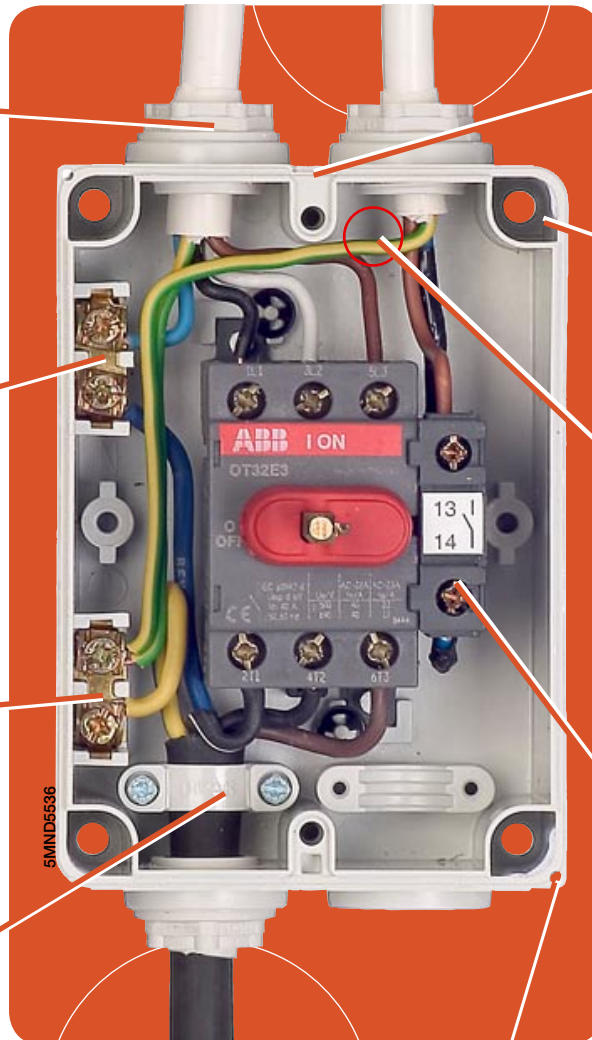
- Also blank gland plates available
- 3-, 4- and 6-pole versions
- Black or red-yellow handle
- Handle indication I-0/ON-OFF
- Suitable for 4- and 5-wire systems

### Easy to install

- Knock-out openings for M or Pg threads on the top and bottom
- Terminals for 5-wire system: three phases + N + PE terminals
- Pull stoppers for two rubber cables in 16 A enclosed switches

### Easy to mount

- Separate threaded knock-out opening for control wires on the top and bottom
- Enclosure mounting screws isolated from the inside housing
- Knock-out opening on the base for incoming cables
- Option for auxiliary contacts, (N.O./N.C.) (Need to be ordered separately)





# Safety for personnel

## Reliable position indication



- Padlocking with three padlocks against unintentional start-up. The handle can not be padlocked in the O-position if one of the contacts is not in the OFF-position.
- The cover cannot be removed if the handle is padlocked
- Door interlock in the ON-position
- Door interlock defeatable (with rectangular handle)





# Steel sheet enclosed switches

In steel sheet enclosed switches both cable entries can be used for cabling. Either cable entries, with ring or C-flange openings can be chosen. The cable entries have "key-type holes" and are also used for mounting the enclosed switches.

The dividable cable entry solutions with ring flange openings permit bigger angles for cable installation than before. The cable can be mounted at angles up to 13 degrees in relation to the cable inlet with no effect on the pull stopper.

The cable is inserted via a knock-out, ring- or C-flange opening and it may be connected by convenient Al/Cu clamps. There are several connection and cabling possibilities and cabling is easy offering spacious room to work.





# Enclosed switches

## Technical data

### Data according to IEC 60947-3

Enclosed switch disconnecter size			16	25	32	45*	63*	100	125E
Rated Insulation voltage	V		750	750	750	750	750	750	750
Rated thermal current and rated operational current AC20/DC20	40°C	A	25	32	40	63	80	115	125
	60°C	A	20	25	32	50	63	80	100
Rated operational current, AC-21A and AC-22A	up to 500V	A	16	25	40	63	80	100	125
	690V	A	16	25	40	63	80	100	125
Rated operational current, AC-23A	up to 415V	A	16	20	23	45	75	80	90
	440V	A	16	20	23	45	65	65	78
	500V	A	16	20	23	45	58	60	70
	690V	A	10	11	12	20	20	40	50
Rated conditional short-circuit current r.m.s and corresponding cut-off current of the fuse in single-phase test according to IEC60269	50kA, 415V	kA	6.5	6.5	6.5	13	13	16.5	18
	Fuse size: gG/aM	A	40/32	40/32	40/32	100/80	100/80	125/125	125/100
	50kA, 690V		4	4	4	11	11	10	12
	Fuse size: gG/aM		25/16	25/16	25/16	80/63	80/63	63/63	125/100
Cu-wire size suitable for terminal	mm <sup>2</sup>		0.75-10	0.75-10	0.75-10**	1.5-25**	1.5-25**	10-70	10-70
Terminal bolt size									
Used switch type			OT16E_	OT25E_	OT32E_	OT32E_	OT63E_	OT100E_	OT125E_

Enclosed switch fuse size			20	32	32	63	125	160	200
Rated Insulation voltage	V		1000	1000	750	750	750	750	1000
Rated impulse withstand voltage	U <sub>imp</sub>	kV	12	12	12	12	12	12	12
Rated thermal current in ambient	40°C	A	20	32	32	63	125	135	200
	60°C	A	16	25	25	50	100	108	160
Rated operational current, AC-22A	up to 500V	A	20	32	32	63	125	135	200
	690V	A	20	32	-	63 <sup>1)</sup>	125 <sup>1)</sup>	135 <sup>1)</sup>	200
Rated operational current, AC-23A	up to 500V	A	20	32	32	63	100	100	200
	690V	A	20	32	-	40 <sup>1)</sup>	50 <sup>1)</sup>	50 <sup>1)</sup>	200
Rated conditional short-circuit current r.m.s and corresponding max. allowed cut-off current, peak-values - The cut-off currents refer to single phase fuse tests.	80 kA, 415V	kA	9	9	10	12	23	23	35
	100kA, 500V	kA	7.5	7.5	6	9	17	17	37.5
	50kA, 690V	kA	6	6	-	8	14	14	21
Fuse types, IEC 269-2	DIN 43620		-	-	00	00	00	00	-
	BS 88		A1	A1	A2-A3	A2-A3	A2-A4	B1-B2	B1-B2
Max. fuse power dissipation	W		3	3.5	7.5	7.5	12	9	22
Used switch fuse size	DIN-type:		-	-	-00 -32_	-00 -63_	-00_	-00 -160_	-
	BS-type:		-20P_	-32P_	-32G_	-63G_	-100G_	-160B_	-200B_
Cu-wire size suitable for terminal	mm <sup>2</sup>		0.5...10	0.5...10	2.5...20	2.5...20	M8x25	M8x25	M8x25
Terminal bolt size									

\*Lower ratings on plastic 6-pole versions. See ordering information.

\*\*Please note the maximum diameter of the cable is limited by the cable outlets. See the extension adapters in ordering information of accessories.

<sup>1)</sup> Utilisation category B





## Enclosed switches Technical data

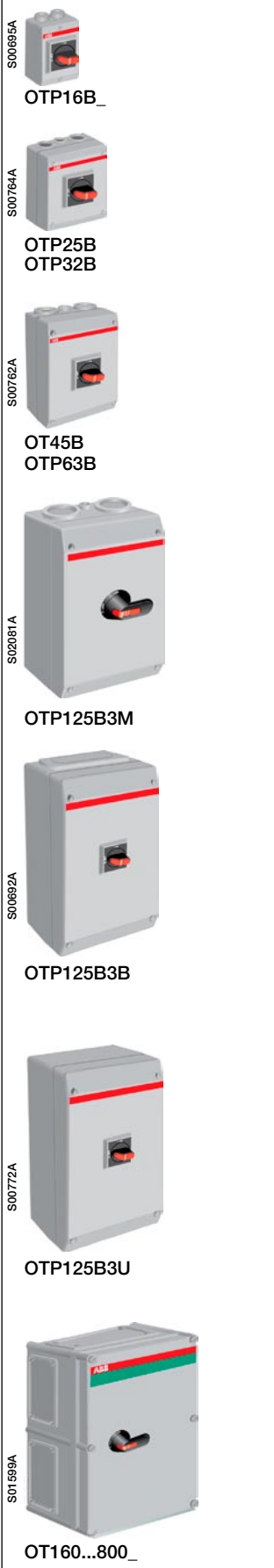
	125A	160	200	250	315	400	630	800	1000	1250	1600
	750	750	1000	1000	1000	1000	1000	1000	690	690	690
	135 125	160 125	200 200	250 250	315 315	400 320	570 460	720 580	1000 900	1250 1000	1600 1250
	125 125	160 160	200 200	250 250	315 315	400 400	570 570	720 720	1000	1250	1600
	105 90 70 50	135 125 125 80	200 200 200 200	250 250 250 250	315 315 315 315	400 400 400 400	570 570 570 570	720 720 720 720	800 800 800 800	800 800 800 800	800 800 800 800
	24 200/250	24 200/250	35 355/315	35 355/315	50.5 500/500	50.5 500/500	71.5 800/1000	71.5 800/1000	105	105	105
	24 200/250	24 200/250	35 355/315	35 355/315	50.5 500/500	50.5 500/500	71.5 800/1000	71.5 800/1000	105	105	105
	10-70	10-70	M8x25	M8x25	M10/30	M10/30	M12/40	M12/40	M12/60	M12/60	M12/60
	OT125A_	OT160_	OT200_	OT250_	OT315_	OT400_	OT630_	OT800_	OETL1000K_	OETL1250K_	OETL1600K_

	250	315	400	630	800
	1000	1000	1000	1000	1000
	12	12	12	12	12
	250 200	315 250	400 320	600 480	720 570
	250 250	315 315	400 400	600 600	720 720
	250 250	315 315	400 400	600 600	720 720
	40.5 37.5 28	44 41	59 63.5 39	75 75 60	75 75 60
	0-1 -	- B1-B3	0-2 B1-B4	3 C1-C2	3 C1-C3
	23	32	34	45	55
	-250D_ -	- -315B_	-400D_ -400B_	-630D_ -630B_	-800D_ -800B_
	M10x30	M10x30	M10x30	M12x40	M12x40



## Enclosed switches Ordering information

### Plastic enclosed switch-disconnectors, 3-pole, IP65



Rated operational current [A]	Cable outlets / size		Enclosure size [mm]			Type	Ordering number	Weight [kg]	
	AC-22A ≤500V	AC-23A ≤415V	AC-23A 500V	W	H				D
Includes black round handle (1-0 and ON-OFF indication), N- and PE-terminals, two membrane cable glands and two pull stoppers.									
16	16	16	2xM20	85	120	60	OTP16HB3M	1SCA022401R2970	0.4
16	16	16	2xM25	85	120	60	OTP16HB3M25	1SCA022699R3690	0.4
16	16	16	2xPg16	85	120	60	OTP16HB3P	1SCA022389R6700	0.4
16	16	16	-	85	120	60	OTP16HB3U	1SCA022401R3010	0.4
Includes selector-type black handle (1-0 and ON-OFF indication), N- and PE-terminals, two membrane cable glands and two pull stoppers.									
16	16	16	2xM20	85	120	60	OTP16B3M	1SCA022383R2130	0.4
16	16	16	2xM25	85	120	60	OTP16B3M25	1SCA022699R2880	0.4
16	16	16	2xPg16	85	120	60	OTP16B3P	1SCA022383R0940	0.4
Includes selector-type black handle (1-0 and ON-OFF indication), N- and PE-terminals. Threaded knock-outs, compression glands have to be ordered separately.									
25	20	20	2xM25+M16	130	150	60	OTP25B3M	1SCA022383R2640	0.5
25	20	20	2xPg21+Pg11	130	150	60	OTP25B3P	1SCA022383R2560	0.5
40	23	23	2xM25+M16	130	150	60	OTP32B3M	1SCA022389R8400	0.5
40	23	23	2xPg21+Pg11	130	150	60	OTP32B3P	1SCA022389R7510	0.5
63	45	45	2xM32+M16	145	200	90	OTP45B3M	1SCA022383R3020	0.9
63	45	45	2xPg29+Pg11	145	200	90	OTP45B3P	1SCA022383R2990	0.9
80	75	58	2xM32+M16	145	200	90	OTP63B3M	1SCA022383R3450	0.9
80	75	58	2xPg29+Pg11	145	200	90	OTP63B3P	1SCA022383R3370	0.9
125	90	70	2xM50+M16	200	400	140	OTP125B3M	1SCA022812R7180	2.4
Knock-out flanges, flanges have to be ordered separately.									
125	90	70	I-flange	200	400	140	OTP125B3B	1SCA022383R3700	2.4
125	90	70	-	200	400	140	OTP125B3U	1SCA022401R3270	2.4
Includes pistol-type black handle (1-0 and ON-OFF indication), N- and PE-terminals. Knock-out flanges, flanges have to be ordered separately.									
160	135	125	II-flange	280	380	130	OT160EFCC3B	1SCA022278R7030	5.4
200	200	200	II-flange	280	560	180	OT200KFCC3B	1SCA022278R1510	9.0
250	250	250	II-flange	280	560	180	OT250KFCC3B	1SCA022278R2150	9.0
315	315	315	II-flange	380	560	180	OT315KFCC3B	1SCA022278R2740	9.0
400	400	400	II-flange	380	840	180	OT400DFCC3B	1SCA022278R3390	16.0
570	570	570	II-flange	380	840	180	OT630KFCC3B	1SCA022278R3980	20.0
720	720	720	2xII-flange	560	760	250	OT800KFCC3B	1SCA022303R0310	20.0

### Plastic enclosed switch-disconnectors, 4-pole, IP65



S00764A  
OTP16B\_  
OTP25B\_  
OTP32B\_

S00762A  
OT45B\_  
OTP63B\_

S02081A  
OTP125B4M

S00692A  
OTP125B4B

S00772A  
OTP125B4U

S01599A  
OT160...800\_

Rated operational current [A]	Cable outlets / size			Enclosure size [mm]			Type	Ordering number	Weight [kg]
	AC-22A ≤500V	AC-23A ≤415V	AC-23A 500V	W	H	D			
16	16	16	2xM25+M16	130	150	60	OTP16B4M	1SCA022401R4160	0.6
16	16	16	2xPg21+Pg11	130	150	60	OTP16B4P	1SCA022419R8620	0.6
25	20	20	2xM25+M16	130	150	60	OTP25B4M	1SCA022401R4320	0.6
25	20	20	2xPg21+Pg11	130	150	60	OTP25B4P	1SCA022401R4240	0.6
40	23	23	2xM25+M16	130	150	60	OTP32B4M	1SCA022401R4590	0.6
40	23	23	2xPg21+Pg11	130	150	60	OTP32B4P	1SCA022401R4410	0.6
63	45	45	2xM32+M16	145	200	90	OTP45B4M	1SCA022401R4750	1.0
63	45	45	2xPg29+Pg11	145	200	90	OTP45B4P	1SCA022401R4670	1.0
80	75	58	2xM32+M16	145	200	90	OTP63B4M	1SCA022401R4910	1.0
80	75	58	2xPg29+Pg11	145	200	90	OTP63B4P	1SCA022401R4830	1.0
125	90	70	2xM50+M16	200	400	140	OTP125B4M	1SCA022812R7260	2.5

Includes selector-type black handle (I-0 and ON-OFF indication), N- and PE-terminals. Threaded knock-outs, compression glands have to be ordered separately.

Knock-out flanges, flanges have to be ordered separately.

125	90	70	I-flange	200	400	140	OTP125B4B	1SCA022401R5210	2.5
125	90	70	-	200	400	140	OTP125B4U	1SCA022401R5300	2.5

Includes pistol-type black handle (O-I and ON-OFF indication), N- and PE-terminals. Knock-out flanges, flanges have to be ordered separately.

160	135	125	II-flange	280	380	130	OT160EFCC4B	1SCA022548R6620	5.4
200	200	200	II-flange	280	560	180	OT200KFCC4B	1SCA022530R4450	9.0
250	250	250	II-flange	280	560	180	OT250KFCC4B	1SCA022530R4530	9.0
315	315	315	II-flange	380	560	180	OT315KFCC4B	1SCA022548R6710	9.0
400	400	400	II-flange	380	840	180	OT400DFCC4B	1SCA022609R5480	16.0
570	570	570	II-flange	380	840	180	OT630KFCC4B	1SCA022584R5700	20.0
720	720	720	2xII-flange	560	760	250	OT800KFCC4B	1SCA022609R5560	20.0



## Enclosed switches Ordering information

### Plastic enclosed switch-disconnectors, 6-pole, IP65



S00764A

OTP16B\_  
OTP25B\_  
OTP32B



S00560A

OT45B  
OTP63B



S02044A

OTP125B6M



S00765A

OTP125B6B



S00774A

OTP125B6U

Rated operational current [A]	Cable outlets / size		Enclosure size [mm]			Type	Ordering number	Weight [kg]
	AC-22A ≤500V	AC-23A ≤415V	AC-23A 500V	W	H			

Includes selector-type black handle (1-0 and ON-OFF indication), N- and PE-terminals. Threaded knock-outs, compression glands have to be ordered separately.

16	16	16	2xM25+M16	130	150	85	OTP16B6M	1SCA022401R5560	0.7
16	16	16	2xPg21+Pg11	130	150	85	OTP16B6P	1SCA022401R5480	0.7
25	20	20	2xM25+M16	130	150	85	OTP25B6M	1SCA022401R5720	0.7
25	20	20	2xPg21+Pg11	130	150	85	OTP25B6P	1SCA022401R5640	0.7
40	23	23	2xM25+M16	130	150	85	OTP32B6M	1SCA022401R5990	0.7
40	23	23	2xPg21+Pg11	130	150	85	OTP32B6P	1SCA022401R5810	0.7

Includes pistol-type black handle (I-0 and ON-OFF indication), N- and PE-terminals. Threaded knock-outs, compression glands have to be ordered separately.

45	45	45	2xM32+M16	145	200	90	OTP45B6M	1SCA022401R6110	1.6
45	45	45	2xPg29+Pg11	145	200	90	OTP45B6P	1SCA022401R6020	1.6
63	45	45	2xM32+M16	145	200	90	OTP63B6M	1SCA022401R6370	1.6
63	45	45	2xPg29+Pg11	145	200	90	OTP63B6P	1SCA022401R6290	1.6
125	90	70	2xM50+M16	200	400	140	OTP125B6M	1SCA022812R7340	3.2

Knock-out flanges, flanges have to be ordered separately.

125	90	70	I-flange	200	400	140	OTP125B6B	1SCA022401R6610	3.2
125	90	70	-	200	400	140	OTP125B6U	1SCA022401R6700	3.2



# Enclosed switches Ordering information

## Steel sheet enclosed switch-disconnectors, 3-pole, IP65



Rated operational current [A]	Cable outlets / size		Enclosure size [mm]			Type	Ordering number	Weight [kg]
	AC-22A ≤500V	AC-23A ≤415V	AC-23A 500V	W	H			

Includes selector-type black handle (I-0 and ON-OFF indication), N- and PE-terminals. Cable knock-outs as standard, compression glands have to be ordered separately.

16	16	16	2xø20+ø16	162	240	110	OT16ELMM3BZ	1SCA022461R9150	1.6
25	20	20	2xø25+ø16	162	240	110	OT25ELMM3BZ	1SCA022461R9310	1.6
32	23	23	2xø25+ø16	162	240	110	OT32ELMM3BZ	1SCA022461R9580	1.6
45	30	30	2xø32+ø16	162	240	110	OT45ELMM3BZ	1SCA022461R9740	2.0
63	38	32	2xø32+ø16	162	240	110	OT63ELMM3BZ	1SCA022461R9910	2.0

Cable knock-outs as standard, flanges have to be ordered separately.

125	90	70	B-flange	233	350	140	OT125ELBB3BZ	1SCA022462R0240	5.0
-----	----	----	----------	-----	-----	-----	--------------	-----------------	-----

Rated operational current [A]	Cable outlets / size		Enclosure size [mm]			Type	Ordering number	Weight [kg]
	AC-22A ≤500V	AC-23A ≤415V	AC-23A 500V	W	H			

Includes selector-type black handle (I-0 and ON-OFF indication), N- and PE-terminals. Cable knock-outs as standard, compression glands have to be ordered separately.

16	16	16	2xø25+ø16	150	200	100	OTL16B3M	1SCA022562R1260	1.7
25	20	20	2xø25+ø16	150	200	100	OTL25B3M	1SCA022562R2400	1.7
40	23	23	2xø25+ø16	150	200	100	OTL32B3M	1SCA022562R3630	1.7
63	45	45	2xø32+ø16	150	200	100	OTL45B3M	1SCA022562R4790	1.9
80	75	58	2xø32+ø16	150	200	100	OTL63B3M	1SCA022562R5920	1.9

Includes pistol-type black handle (I-0 and ON-OFF indication), N- and PE-terminals.

Cable knock-outs as standard, flanges have to be ordered separately.

100	80	60	B-flange	200	300	150	OTL100B3B	1SCA022562R8350	3.4
100	80	60	-	200	300	150	OTL100B3U	1SCA022562R8430	3.4
125	90	70	B-flange	200	300	150	OTL125B3B	1SCA022562R9590	3.4
125	90	70	-	200	300	150	OTL125B3U	1SCA022562R9670	3.4

Delivery without cable entries, top and bottom sides are open. Cable entries for C-flanges or for ring-flanges have to be ordered separately, see accessories. These entries are used also for fixing the enclosed switches. Flanges have to be ordered separately too.

Includes pistol-type black handle (I-0 and ON-OFF indication), N- and PE-terminals.

Rated operational current [A]	Cable outlets / size		Enclosure size [mm]			Type	Ordering number	Weight [kg]
	AC-22A ≤500V	AC-23A ≤415V	AC-23A 500V	W	H			

125	105	70	Open	250	400	180	OT125ALAA3BZ	1SCA022302R6710	11.0
160	135	125	Open	250	400	180	OT160ELAA3BZ	1SCA022302R7100	10.0
200	200	200	Open	400	600	230	OT200KLA3BZ	1SCA022302R7520	17.0
250	250	250	Open	400	600	230	OT250KLA3BZ	1SCA022302R7950	17.0
315	315	315	Open	400	600	230	OT315KLA3BZ	1SCA022302R8330	17.0
400	400	400	Open	400	800	230	OT400DLAA3BZ	1SCA022302R8760	23.0
570	570	570	Open	400	1000	230	OT630KLA3BZ	1SCA022302R9140	30.0
720	720	720	Open	400	1000	230	OT800KLA3BZ	1SCA022302R9570	30.0
1000	800	800	Open	800	1200	230	OT1000KLA3BZ	1SCA022569R2870	73.0
1250	800	800	Open	800	1200	330	OT1250KLA3BZ	1SCA022569R4310	90.0
1600	800	800	Open	800	1200	330	OT1600KLA3BZ	1SCA022569R4570	92.0

Delivery with blank cable entries. These entries are used also for fixing the enclosed switches.

Includes pistol-type black handle (I-0 and ON-OFF indication), N- and PE-terminals.

Rated operational current [A]	Cable outlets / size		Enclosure size [mm]			Type	Ordering number	Weight [kg]
	AC-22A ≤500V	AC-23A ≤415V	AC-23A 500V	W	H			

125	90	70	-	250	400	180	OT125ALUU3BZ	1SCA022750R1430	11.0
160	135	125	-	250	400	180	OT160ELUU3BZ	1SCA022479R5120	15.0
200	200	200	-	400	600	230	OT200KLUU3BZ	1SCA022602R0630	17.0
250	250	250	-	400	600	230	OT250KLUU3BZ	1SCA022602R0710	17.0
315	315	315	-	400	600	230	OT315KLUU3BZ	1SCA022572R6010	20.0
400	400	400	-	400	800	230	OT400DLUU3BZ	1SCA022602R0800	24.0
570	570	570	-	400	1000	230	OT630KLUU3BZ	1SCA022750R1510	33.0
720	720	720	-	400	1000	230	OT800KLUU3BZ	1SCA022750R1600	33.0
1000	800	800	-	800	1200	230	OT1000KLUU3BZ	1SCA022750R1780	75.0
1250	800	800	-	800	1200	330	OT1250KLUU3BZ	1SCA022750R1860	92.0
1600	800	800	-	800	1200	330	OT1600KLUU3BZ	1SCA022750R1940	94.0



# Enclosed switches Ordering information

## Steel sheet enclosed switch-disconnectors, 4-pole, IP65



Rated operational current [A]	Cable outlets / size			Enclosure size [mm]			Type	Ordering number	Weight [kg]
	AC-22A ≤500V	AC-23A ≤415V	AC-23A 500V	W	H	D			

Includes selector-type black handle (I-0 and ON-OFF indication), N- and PE-terminals.  
Cable knock-outs as standard, compression glands have to be ordered separately.

16	16	16	2xø20+ø16	162	240	110	OT16ELMM4BZ	1SCA022467R9050	1.6
25	20	20	2xø25+ø16	162	240	110	OT25ELMM4BZ	1SCA022467R9210	1.6
32	23	23	2xø25+ø16	162	240	110	OT32ELMM4BZ	1SCA022467R9480	1.6
45	30	30	2xø32+ø16	162	240	110	OT45ELMM4BZ	1SCA022467R9640	2.0
63	38	32	2xø32+ø16	162	240	110	OT63ELMM4BZ	1SCA022467R9810	2.0

Cable knock-outs as standard, flanges have to be ordered separately.

125	90	70	B-flange	233	350	140	OT125ELBB4BZ	1SCA022468R0140	5.0
-----	----	----	----------	-----	-----	-----	--------------	-----------------	-----

Rated operational current [A]	Cable outlets / size			Enclosure size [mm]			Type	Ordering number	Weight [kg]
	AC-22A ≤500V	AC-23A ≤415V	AC-23A 500V	W	H	D			

Includes selector-type black handle (I-0 and ON-OFF indication), N- and PE-terminals.  
Cable knock-outs as standard, compression glands have to be ordered separately.

16	16	16	2xø25+ø16	150	200	100	OTL16B4M	1SCA022562R4120	1.7
25	20	20	2xø25+ø16	150	200	100	OTL25B4M	1SCA022562R2660	1.7
40	23	23	2xø25+ø16	150	200	100	OTL32B4M	1SCA022562R3800	1.7
63	45	45	2xø32+ø16	150	200	100	OTL45B4M	1SCA022562R4950	1.9
80	75	58	2xø32+ø16	150	200	100	OTL63B4M	1SCA022562R6140	1.9

Includes pistol-type black handle (I-0 and ON-OFF indication), N- and PE-terminals.  
Cable knock-outs as standard, flanges have to be ordered separately.

100	80	60	B-flange	200	300	150	OTL100B4B	1SCA022562R8510	3.4
100	80	60	-	200	300	150	OTL100B4U	1SCA022562R8600	3.4
125	90	70	B-flange	200	300	150	OTL125B4B	1SCA022562R9830	3.4
125	90	70	-	200	300	150	OTL125B4U	1SCA022562R9910	3.4

Delivery without cable entries, top and bottom sides are open. Cable entries for C-flanges or for ring-flanges have to be ordered separately, see accessories. These entries are used also for fixing the enclosed switches. Flanges have to be ordered separately too.

Includes pistol-type black handle (I-0 and ON-OFF indication), N- and PE-terminals.

Rated operational current [A]	Cable outlets / size			Enclosure size [mm]			Type	Ordering number	Weight [kg]
	AC-22A ≤500V	AC-23A ≤415V	AC-23A 500V	W	H	D			

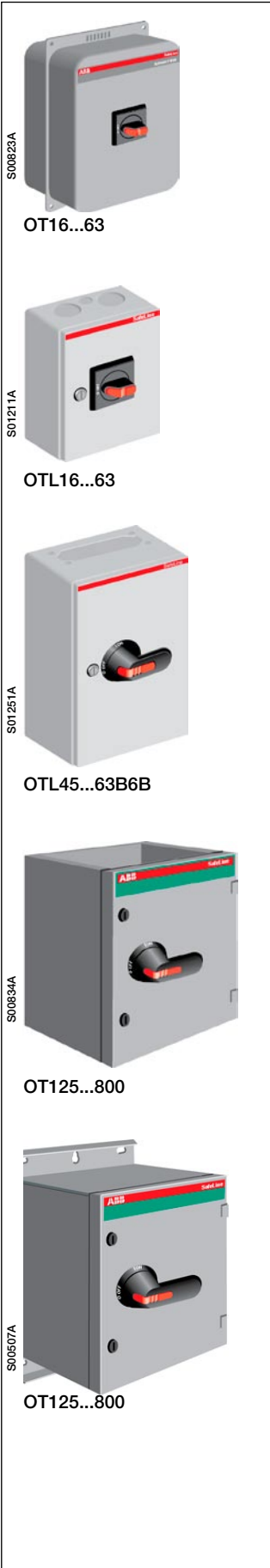
125	90	70	Open	250	400	180	OT125ALAA4BZ	1SCA022342R4870	15.0
160	135	125	Open	250	400	180	OT160ELAA4BZ	1SCA022342R5090	15.0
200	200	200	Open	400	600	230	OT200KLAA4BZ	1SCA022342R5410	18.0
250	250	250	Open	400	600	230	OT250KLAA4BZ	1SCA022342R5840	18.0
315	315	315	Open	400	600	230	OT315KLAA4BZ	1SCA022342R6220	18.0
400	400	400	Open	400	800	230	OT400DLAA4BZ	1SCA022342R6650	24.0
570	570	570	Open	400	1000	230	OT630KLAA4BZ	1SCA022342R7030	31.0
720	720	720	Open	400	1000	230	OT800KLAA4BZ	1SCA022342R7460	31.0
1000	800	800	Open	800	1200	230	OT1000KLAA4BZ	1SCA022569R4220	75.0
1250	800	800	Open	800	1200	330	OT1250KLAA4BZ	1SCA022569R4490	92.0
1600	800	800	Open	800	1200	330	OT1600KLAA4BZ	1SCA022569R4650	95.0

Delivery with blank cable entries. These entries are used also for fixing the enclosed switches.  
Includes pistol-type black handle (O-I and ON-OFF indication), N- and PE-terminals.

Rated operational current [A]	Cable outlets / size			Enclosure size [mm]			Type	Ordering number	Weight [kg]
	AC-22A ≤500V	AC-23A ≤415V	AC-23A 500V	W	H	D			

125	90	70	-	250	400	180	OT125ALUU4BZ	1SCA022833R6770	12
160	135	125	-	250	400	180	OT160ELUU4BZ	1SCA022833R6850	15
200	200	200	-	400	600	230	OT200KLUU4BZ	1SCA022800R5740	17
250	250	250	-	400	600	230	OT250KLUU4BZ	1SCA022800R7360	17
315	315	315	-	400	600	230	OT315KLUU4BZ	1SCA022801R0070	20
400	400	400	-	400	800	230	OT400DLUU4BZ	1SCA022801R0660	24
570	570	570	-	400	1000	230	OT630KLUU4BZ	1SCA022830R4490	31
720	720	720	-	400	1000	230	OT800KLUU4BZ	1SCA022830R4570	31

### Steel sheet enclosed switch-disconnectors, 6-pole, IP65



Rated operational current [A]	Cable outlets / size		Enclosure size [mm]			Type	Ordering number	Weight [kg]
	AC-22A ≤500V	AC-23A ≤415V	AC-23A 500V	W	H			

Includes selector-type black handle (I-0 and ON-OFF indication), N- and PE-terminals. Cable knock-outs as standard, compression glands have to be ordered separately.

16	16	16	2xø25+ø16	233	350	140	OT16ELMM6BZ	1SCA022589R9620	1.6
25	20	20	2xø25+ø16	233	350	140	OT25ELMM6BZ	1SCA022591R5330	1.6
32	23	23	2xø25+ø16	233	350	140	OT32ELMM6BZ	1SCA022589R8810	1.6
45	30	30	2xø32+ø16	233	350	140	OT45ELMM6BZ	1SCA022468R1380	2.0
63	38	32	2xø32+ø16	233	350	140	OT63ELMM6BZ	1SCA022468R1460	2.0

Rated operational current [A]	Cable outlets / size		Enclosure size [mm]			Type	Ordering number	Weight [kg]
	AC-22A ≤500V	AC-23A ≤415V	AC-23A 500V	W	H			

Includes selector-type black handle (I-0 and ON-OFF indication), N- and PE-terminals. Cable knock-outs as standard, compression glands have to be ordered separately.

16	16	16	2xø25+ø16	150	200	100	OTL16B6M	1SCA022562R1690	1.8
25	20	20	2xø25+ø16	150	200	100	OTL25B6M	1SCA022562R2820	1.8
40	23	23	2xø25+ø16	150	200	100	OTL32B6M	1SCA022562R4010	1.8

Includes pistol-type black handle (I-0 and ON-OFF indication), N- and PE-terminals. Cable knock-outs as standard, flanges have to be ordered separately.

63	45	45	B-flange	200	300	150	OTL45B6B	1SCA022610R4730	3.5
63	45	45	-	200	300	150	OTL45B6U	1SCA022610R4810	3.5
80	75	58	B-flange	200	300	150	OTL63B6B	1SCA022610R4900	3.5
80	75	58	-	200	300	150	OTL63B6U	1SCA022610R5030	3.5

Delivery without cable entries, top and bottom sides are open. Cable entries for C-flanges or for ring-flanges have to be ordered separately, see accessories. These entries are used also for fixing the enclosed switches. Flanges have to be ordered separately too.

Includes pistol-type black handle (I-0 and ON-OFF indication), N- and PE-terminals.

Rated operational current [A]	Cable outlets / size		Enclosure size [mm]			Type	Ordering number	Weight [kg]
	AC-22A ≤500V	AC-23A ≤415V	AC-23A 500V	W	H			

125	90	70	Open	400	400	230	OT125ALAA6BZ	1SCA022689R5090	10
160	135	125	Open	400	400	230	OT160ELAA6BZ	1SCA022468R7400	10
200	200	200	Open	800	600	230	OT200KLAA6BZ	1SCA022717R9520	17
250	250	250	Open	800	800	230	OT250KLAA6BZ	1SCA022802R5770	34
315	315	315	Open	800	800	230	OT315KLAA6BZ	1SCA022804R1110	37
400	400	400	Open	800	800	230	OT400DLAA6BZ	1SCA022804R1200	37
570	570	570	Open	800	1000	230	OT630KLAA6BZ	1SCA022834R1420	46
720	720	720	Open	800	1000	230	OT800KLAA6BZ	1SCA022834R1340	46

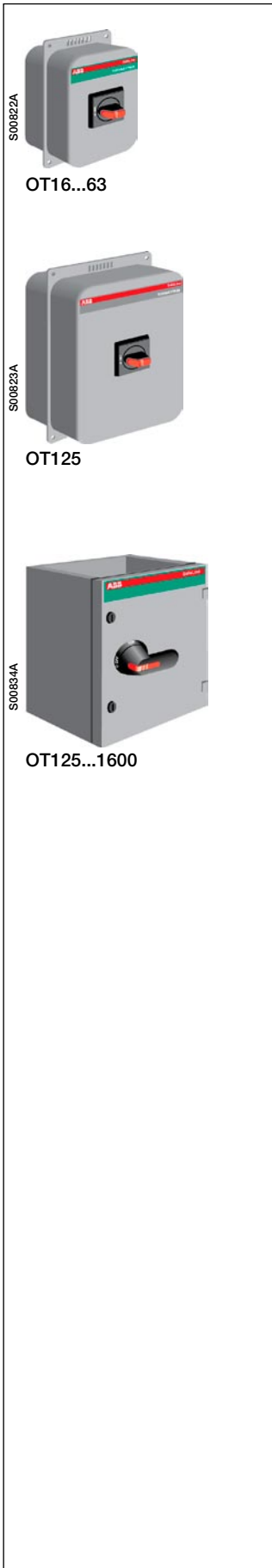
Delivery with blank cable entries. These entries are used also for fixing the enclosed switches. Includes pistol-type black handle (I-0 and ON-OFF indication), N- and PE-terminals.

Rated operational current [A]	Cable outlets / size		Enclosure size [mm]			Type	Ordering number	Weight [kg]
	AC-22A ≤500V	AC-23A ≤415V	AC-23A 500V	W	H			

125	90	70	-	400	400	230	OT125ALUU6BZ	1SCA022833R6930	15
160	135	125	-	400	400	230	OT160ELUU6BZ	1SCA022833R7070	15
200	200	200	-	800	600	230	OT200KLUU6BZ	1SCA022802R4610	35
250	250	250	-	800	800	230	OT250KLUU6BZ	1SCA022802R4530	40
315	315	315	-	800	800	230	OT315KLUU6BZ	1SCA022804R0900	43
400	400	400	-	800	800	230	OT400DLUU6BZ	1SCA022804R1030	43
570	570	570	-	800	1000	230	OT630KLUU6BZ	1SCA022834R1260	52
720	720	720	-	800	1000	230	OT800KLUU6BZ	1SCA022834R1690	52



## Enclosed switches Ordering information



### Steel sheet enclosed switch-disconnectors, 3-pole, IP54

Rated operational current [A] AC-22A ≤500V	AC-23A		Cable outlets / size	Enclosure size [mm]			Type	Ordering number	Weight [kg]
	≤415V	500V		W	H	D			

Includes selector-type black handle (I-0 and ON-OFF indication), N- and PE-terminals.  
Cable knock-outs as standard, compression glands have to be ordered separately.

16	16	16	2xø20+ø16	162	240	110	OT16ELMM3B	1SCA022461R7960	1.6
25	20	20	2xø25+ø16	162	240	110	OT25ELMM3B	1SCA022461R8180	1.6
32	23	23	2xø25+ø16	162	240	110	OT32ELMM3B	1SCA022461R8340	1.6
45	30	30	2xø32+ø16	162	240	110	OT45ELMM3B	1SCA022461R8510	2.0
63	38	32	2xø32+ø16	162	240	110	OT63ELMM3B	1SCA022461R8770	2.0

Cable knock-outs as standard, flanges have to be ordered separately.

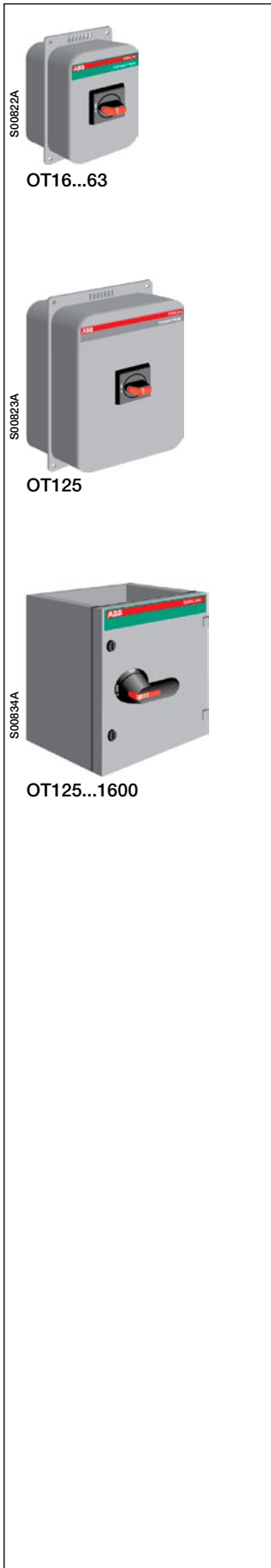
125	90	70	B-flange	233	350	140	OT125ELBB3B	1SCA022461R9070	5.0
-----	----	----	----------	-----	-----	-----	-------------	-----------------	-----

Delivery without cable entries, top and bottom sides are open. Cable entries for C-flanges or for ring-flanges have to be ordered separately, see accessories. These entries are used also for fixing the enclosed switches. Flanges have to be ordered separately too.  
Includes pistol-type black handle (I-0 and ON-OFF indication), N- and PE-terminals.

Rated operational current [A] AC-22A ≤500V	AC-23A		Cable outlets / size	Enclosure size [mm]			Type	Ordering number	Weight [kg]
	≤415V	500V		W	H	D			

125	105	70	Open	250	400	180	OT125ALAA3B	1SCA022302R5910	10.0
160	135	125	Open	250	400	180	OT160ELAA3B	1SCA022280R3410	10.0
200	200	200	Open	400	600	230	OT200KLAA3B	1SCA022280R4060	17.0
250	250	250	Open	400	600	230	OT250KLAA3B	1SCA022280R4650	17.0
315	315	315	Open	400	600	230	OT315KLAA3B	1SCA022280R5200	17.0
400	400	400	Open	400	800	230	OT400DLAA3B	1SCA022279R9710	23.0
570	570	570	Open	400	1000	230	OT630KLAA3B	1SCA022280R0310	30.0
720	720	720	Open	400	1000	230	OT800KLAA3B	1SCA022280R0910	30.0
1000	800	800	Open	800	1200	230	OT1000KLAA3B	1SCA022370R3830	73.0
1250	800	800	Open	800	1200	230	OT1250KLAA3B	1SCA022350R0640	90.0
1600	800	800	Open	800	1200	230	OT1600KLAA3B	1SCA022437R8520	92.0





### Steel sheet enclosed switch-disconnectors, 4-pole, IP54

Rated operational current [A]	Cable outlets / size			Enclosure size [mm]			Type	Ordering number	Weight [kg]
	AC-22A ≤500V	AC-23A ≤415V	AC-23A 500V	W	H	D			

Includes selector-type black handle (I-0 and ON-OFF indication), N- and PE-terminals. Cable knock-outs as standard, compression glands have to be ordered separately.

16	16	16	2xø20+ø16	162	240	110	OT16ELMM4B	1SCA022467R7940	1.6
25	20	20	2xø25+ø16	162	240	110	OT25ELMM4B	1SCA022467R8160	1.6
32	23	23	2xø25+ø16	162	240	110	OT32ELMM4B	1SCA022467R8320	1.6
45	30	30	2xø32+ø16	162	240	110	OT45ELMM4B	1SCA022467R8590	2.0
63	38	32	2xø32+ø16	162	240	110	OT63ELMM4B	1SCA022467R7430	2.0

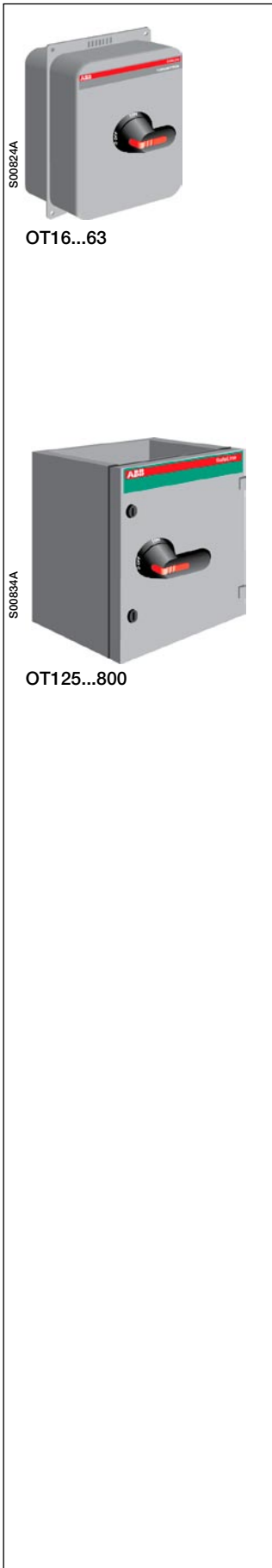
Cable knock-outs as standard, flanges have to be ordered separately.

125	90	70	B-flange	233	350	140	OT125ELBB4B	1SCA022467R8910	5.0
-----	----	----	----------	-----	-----	-----	-------------	-----------------	-----

Delivery without cable entries, top and bottom sides are open. Cable entries for C-flanges or for ringflanges have to be ordered separately, see accessories. These entries are used also for fixing the enclosed switches. Flanges have to be ordered separately too. Includes pistol-type black handle (I-0 and ON-OFF indication), N- and PE-terminals.

Rated operational current [A]	Cable outlets / size			Enclosure size [mm]			Type	Ordering number	Weight [kg]
	AC-22A ≤500V	AC-23A ≤415V	AC-23A 500V	W	H	D			

125	90	70	Open	250	400	180	OT125ALAA4B	1SCA022340R9560	10.0
160	135	125	Open	250	400	180	OT160ELAA4B	1SCA022340R9720	10.0
200	200	200	Open	400	600	230	OT200KLAA4B	1SCA022341R0140	17.0
250	250	250	Open	400	600	230	OT250KLAA4B	1SCA022341R0570	17.0
315	315	315	Open	400	600	230	OT315KLAA4B	1SCA022341R0900	17.0
400	400	400	Open	400	800	230	OT400DLAA4B	1SCA022341R1380	23.0
570	570	570	Open	400	1000	230	OT630KLAA4B	1SCA022341R1710	30.0
720	720	720	Open	400	1000	230	OT800KLAA4B	1SCA022337R4830	30.0
1000	800	800	Open	800	1200	230	OT1000KLAA4B	1SCA022437R9760	73.0
1250	800	800	Open	800	1200	330	OT1250KLAA4B	1SCA022437R9480	90.0
1600	800	800	Open	800	1200	330	OT1600KLAA4B	1SCA022437R9920	92.0



### Steel sheet enclosed change-over switches, 3-pole, IP54\*

Rated operational current [A]			Cable outlets / size	Enclosure size [mm]			Type	Ordering number	Weight [kg]
AC-22A ≤500V	AC-23A ≤415V	AC-23A 500V		W	H	D			

Includes pistol type black handle (I-O-II indication), N- and PE-terminals.

Cable knock-outs as standard, compression glands and connection bars for parallel connection have to be ordered separately.

16	16	16	2xø25+ø16	233	350	140	OT16ELMM3C	1SCA022473R1070	1.9
16	16	16	2xø28,3+ø18,6	233	350	140	OT16ELPP3C	1SCA022473R1310	1.9
25	20	20	2xø25+ø16	233	350	140	OT25ELMM3C	1SCA022473R1580	1.9
25	20	20	2xø28,3+ø18,6	233	350	140	OT25ELPP3C	1SCA022473R1740	1.9
32	23	23	2xø25+ø16	233	350	140	OT32ELMM3C	1SCA022473R1910	1.9
32	23	23	2xø28,3+ø18,6	233	350	140	OT32ELPP3C	1SCA022473R2120	1.9
45	30	30	2xø32+ø16	233	350	140	OT45ELMM3C	1SCA022473R2390	4.0
45	30	30	2xø37+ø18,6	233	350	140	OT45ELPP3C	1SCA022473R2550	4.0
63	38	32	2xø32+ø16	233	350	140	OT63ELMM3C	1SCA022473R2710	4.0
63	38	32	2xø37+ø18,6	233	350	140	OT63ELPP3C	1SCA022473R2980	4.0

Delivery without cable entries, top and bottom sides are open. Cable entries for C-flanges or for ring-flanges have to be ordered separately, see accessories. These entries are used also for fixing the enclosed switches. Flanges and connection bars for parallel connection have to be ordered separately too. Includes pistol type black handle (I-O-II indication), N- and PE-terminals.

Rated operational current [A]			Cable outlets / size	Enclosure size [mm]			Type	Ordering number	Weight [kg]
AC-22A ≤500V	AC-23A ≤415V	AC-23A 500V		W	H	D			
160	135	125	Open	400	400	230	OT160ELAA3C	1SCA022280R2100	11.0
200	200	200	Open	400	600	230	OT200KLAA3C	1SCA022280R2360	31.0
250	250	250	Open	400	600	230	OT250KLAA3C	1SCA022280R2520	36.0
315	315	315	Open	400	800	230	OT315KLAA3C	1SCA022280R2790	36.0
400	400	400	Open	400	800	230	OT400DLAA3C	1SCA022280R2950	39.0
570	570	570	Open	800	1000	330	OT630KLAA3C	1SCA022280R3170	48.0
720	720	720	Open	800	1000	330	OT800KLAA3C	1SCA022389R8310	48.0

\* IP65 available on request



## Enclosed switches Ordering information



S00834A

OT125...800

### Steel sheet enclosed change-over switches, 4-pole, IP54\*

Delivery without cable entries, top and bottom sides are open. Cable entries for C-flanges or for ring-flanges have to be ordered separately, see accessories. These entries are used also for fixing the enclosed switches. Flanges and connection bars for parallel connection have to be ordered separately too. Includes pistol type black handle (I-O-II indication), N- and PE-terminals.

Rated operational current [A]			Cable outlets / size	Enclosure size [mm]			Type	Ordering number	Weight [kg]
AC-22A ≤500V	AC-23A ≤415V	AC-23A 500V		W	H	D			
160	135	125	Open	400	400	230	OT160ELAA4C	1SCA022474R9100	11.0
200	200	200	Open	800	600	230	OT200KLAA4C	1SCA022474R6930	31.0
250	250	250	Open	800	800	230	OT250KLAA4C	1SCA022474R7070	36.0
315	315	315	Open	800	800	230	OT315KLAA4C	1SCA022474R7150	36.0
400	400	400	Open	800	800	230	OT400DLAA4C	1SCA022292R6680	39.0
570	570	570	Open	800	1000	230	OT630KLAA4C	1SCA022475R1180	48.0
720	720	720	Open	800	1000	230	OT800KLAA4C	1SCA022580R4340	48.0

\* IP65 available on request

### Stainless steel sheet enclosed switch-disconnectors, 3-pole, IP65



Rated operational current [A]	Cable outlets / size			Enclosure size [mm]			Type	Ordering number	Weight [kg]
	AC-22A ≤500V	AC-23A ≤415V	AC-23A 500V	W	H	D			

Includes selector-type black handle (I-0 and ON-OFF indication), N- and PE-terminals.  
Cable knock-outs as standard, compression glands have to be ordered separately.

16	16	16	2xø25+ø16	150	200	100	OTR16B3M	1SCA022567R9420	1.7
25	20	20	2xø25+ø16	150	200	100	OTR25B3M	1SCA022567R9690	1.7
40	23	23	2xø25+ø16	150	200	100	OTR32B3M	1SCA022567R9850	1.7
63	45	45	2xø32+ø16	150	200	100	OTR45B3M	1SCA022567R0010	1.9
80	75	58	2xø32+ø16	150	200	100	OTR63B3M	1SCA022567R0270	1.9

Includes pistol-type black handle (I-0 and ON-OFF indication), N- and PE-terminals.  
Cable knock-outs as standard, flanges have to be ordered separately.

100	80	60	B-flange	200	300	135	OTR100B3B	1SCA022568R0510	3.4
100	80	60	-	200	300	135	OTR100B3U	1SCA022568R0600	3.4
125	90	70	B-flange	200	300	135	OTR125B3B	1SCA022568R0780	3.4
125	90	70	-	200	300	135	OTR125B3U	1SCA022568R0860	3.4

### Stainless steel sheet enclosed switch-disconnectors, 4-pole, IP65

Rated operational current [A]	Cable outlets / size			Enclosure size [mm]			Type	Ordering number	Weight [kg]
	AC-22A ≤500V	AC-23A ≤415V	AC-23A 500V	W	H	D			

Includes selector-type black handle (I-0 and ON-OFF indication), N- and PE-terminals.  
Cable knock-outs as standard, compression glands have to be ordered separately.

16	16	16	2xø25+ø16	150	200	100	OTR16B4M	1SCA022568R1080	1.7
25	20	20	2xø25+ø16	150	200	100	OTR25B4M	1SCA022568R1240	1.7
40	23	23	2xø25+ø16	150	200	100	OTR32B4M	1SCA022568R1410	1.7
63	45	45	2xø32+ø16	150	200	100	OTR45B4M	1SCA022568R1670	1.9
80	75	58	2xø32+ø16	150	200	100	OTR63B4M	1SCA022568R1830	1.9

Includes pistol-type black handle (I-0 and ON-OFF indication), N- and PE-terminals.  
Cable knock-outs as standard, flanges have to be ordered separately.

100	80	60	B-flange	200	300	135	OTR100B4B	1SCA022568R2130	3.4
100	80	60	-	200	300	135	OTR100B4U	1SCA022568R2210	3.4
125	90	70	B-flange	200	300	135	OTR125B4B	1SCA022568R2300	3.4
125	90	70	-	200	300	135	OTR125B4U	1SCA022568R2480	3.4

### Stainless steel sheet enclosed switch-disconnectors, 6-pole, IP65

Rated operational current [A]	Cable outlets / size			Enclosure size [mm]			Type	Ordering number	Weight [kg]
	AC-22A ≤500V	AC-23A ≤415V	AC-23A 500V	W	H	D			

Includes selector-type black handle (I-0 and ON-OFF indication), N- and PE-terminals.  
Cable knock-outs as standard, compression glands have to be ordered separately.

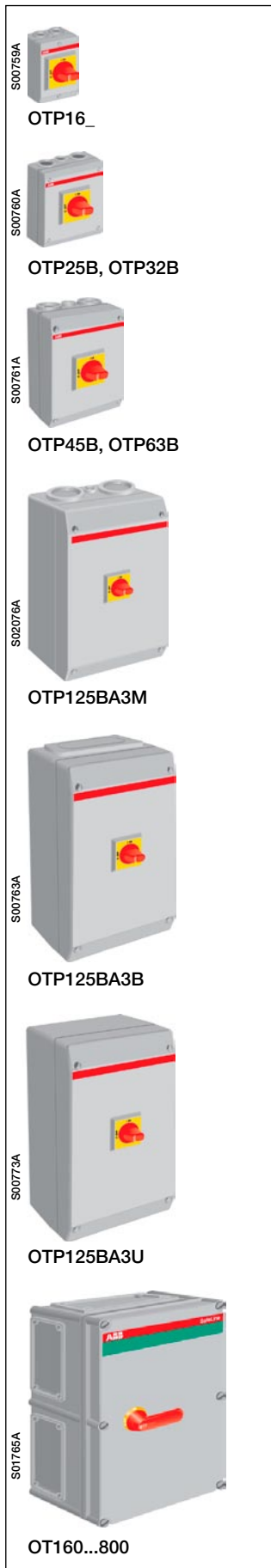
16	16	16	2xø25+ø16	150	200	100	OTR16B6M	1SCA022575R2440	1.8
25	20	20	2xø25+ø16	150	200	100	OTR25B6M	1SCA022575R2870	1.8
40	23	23	2xø25+ø16	150	200	100	OTR32B6M	1SCA022575R3250	1.8

Includes pistol-type black handle (I-0 and ON-OFF indication), N- and PE-terminals.  
Cable knock-outs as standard, flanges have to be ordered separately.

63	45	45	B-flange	200	300	135	OTR45B6B	1SCA022611R6660	3.5
63	45	45	-	200	300	135	OTR45B6U	1SCA022611R6820	3.5
80	75	58	B-flange	200	300	135	OTR63B6B	1SCA022611R7120	3.5
80	75	58	-	200	300	135	OTR63B6U	1SCA022611R7210	3.5



## Enclosed switches Ordering information



### Plastic enclosed switch-disconnectors, 3-pole, IP65

Rated operational current [A]	Cable outlets / size			Enclosure size [mm]			Type	Ordering number	Weight [kg]
	AC-22A ≤500V	AC-23A ≤415V	AC-23A 500V	W	H	D			
Includes selector-type red-yellow handle (I-0 and ON-OFF indication), N- and PE-terminals, two membrane cable glands and two pull stoppers.									
16	16	16	2xM20	85	120	60	OTP16BA3M	1SCA022401R3350	0.4
16	16	16	2xM25	85	120	60	OTP16BA3M25	1SCA022699R2960	0.4
16	16	16	2xPg16	85	120	60	OTP16BA3P	1SCA022389R6880	0.4
Includes selector-type red-yellow handle (I-0 and ON-OFF indication), N- and PE-terminals. Threaded knock-outs, compression glands have to be ordered separately.									
25	20	20	2xM25+M16	130	150	60	OTP25BA3M	1SCA022401R3430	0.5
25	20	20	2xPg21+Pg11	130	150	60	OTP25BA3P	1SCA022389R6960	0.5
40	23	23	2xM25+M16	130	150	60	OTP32BA3M	1SCA022401R3510	0.5
40	23	23	2xPg21+Pg11	130	150	60	OTP32BA3P	1SCA022389R7000	0.5
63	45	45	2xM32+M16	145	200	90	OTP45BA3M	1SCA022401R3600	0.9
63	45	45	2xPg29+Pg11	145	200	90	OTP45BA3P	1SCA022389R7180	0.9
80	75	58	2xM32+M16	145	200	90	OTP63BA3M	1SCA022401R3780	0.9
80	75	58	2xPg29+Pg11	145	200	90	OTP63BA3P	1SCA022389R7260	0.9
125	90	70	2xM50+M16	200	400	140	OTP125BA3M	1SCA022812R7420	2.4
Knock-out flanges, flanges have to be ordered separately.									
125	90	70	I-flange	200	400	140	OTP125BA3B	1SCA022389R7420	2.4
125	90	70	-	200	400	140	OTP125BA3U	1SCA022401R3940	2.4
Includes pistol-type red-yellow handle (I-0 and ON-OFF indication), N- and PE-terminals. Knock-out flanges, flanges have to be ordered separately.									
160	135	125	II-flange	280	380	130	OT160EFCC3BA	1SCA022833R6510	5.4
200	200	200	II-flange	280	560	180	OT200KFCC3BA	1SCA022833R9950	9.0
250	250	250	II-flange	280	560	180	OT250KFCC3BA	1SCA022834R0020	9.0
315	315	315	II-flange	380	560	180	OT315KFCC3BA	1SCA022834R0110	9.0
400	400	400	II-flange	380	840	180	OT400DFCC3BA	1SCA022834R0290	16.0
570	570	570	II-flange	380	840	180	OT630KFCC3BA	1SCA022834R0370	20.0
720	720	720	2xII-flange	560	760	250	OT800KFCC3BA	1SCA022834R0450	30.0



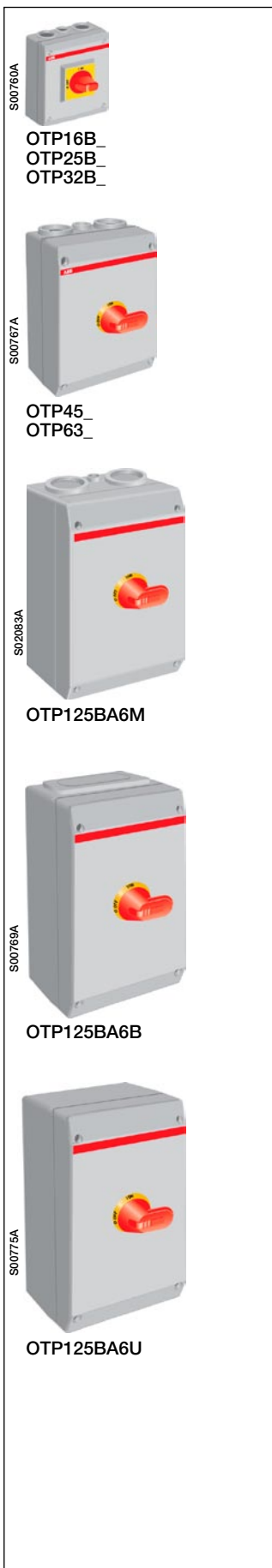
## Enclosed switches Ordering information

### Plastic enclosed switch-disconnectors, 4-pole, IP65



Rated operational current [A]	Cable outlets / size		Enclosure size [mm]			Type	Ordering number	Weight [kg]	
	AC-22A ≤500V	AC-23A ≤415V	AC-23A 500V	W	H				D
Includes selector-type red-yellow handle (I-0 and ON-OFF indication), N- and PE-terminals. Threaded knock-outs, compression glands have to be ordered separately.									
16	16	16	2xM25+M16	130	150	60	OTP16BA4M	1SCA022459R6510	0.6
16	16	16	2xPg21+Pg11	130	150	60	OTP16BA4P	1SCA022401R4080	0.6
25	20	20	2xM25+M16	130	150	60	OTP25BA4M	1SCA022459R6600	0.7
25	20	20	2xPg21+Pg11	130	150	60	OTP25BA4P	1SCA022433R8140	0.7
40	23	23	2xM25+M16	130	150	60	OTP32BA4M	1SCA022459R6780	0.8
40	23	23	2xPg21+Pg11	130	150	60	OTP32BA4P	1SCA022433R8220	0.8
63	45	45	2xM32+M16	145	200	90	OTP45BA4M	1SCA022459R6860	1.0
63	45	45	2xPg29+Pg11	145	200	90	OTP45BA4P	1SCA022571R5080	1.0
80	75	58	2xM32+M16	145	200	90	OTP63BA4M	1SCA022459R6940	1.0
80	75	58	2xPg29+Pg11	145	200	90	OTP63BA4P	1SCA022571R5160	1.0
125	90	70	2xM50+M16	200	400	140	OTP125BA4M	1SCA022812R7510	2.5
Knock-out flanges, flanges have to be ordered separately.									
125	90	70	I-flange	200	400	140	OTP125BA4B	1SCA022571R8510	2.5
125	90	70	-	200	400	140	OTP125BA4U	1SCA022459R7160	2.5
Includes pistol-type red-yellow handle (I-0 and ON-OFF indication), N- and PE-terminals. Knock-out flanges, flanges have to be ordered separately.									
160	135	125	II-flange	280	380	130	OT160EFCC4BA	1SCA022833R6690	5.4
200	200	200	II-flange	280	560	180	OT200KFCC4BA	1SCA022834R0530	9.0
250	250	250	II-flange	280	560	180	OT250KFCC4BA	1SCA022834R0610	9.0
315	315	315	II-flange	380	560	180	OT315KFCC4BA	1SCA022834R0700	9.0
400	400	400	II-flange	380	840	180	OT400DFCC4BA	1SCA022834R0880	16.0
570	570	570	II-flange	380	840	180	OT630KFCC4BA	1SCA022834R1000	20.0
720	720	720	2xII-flange	560	760	250	OT800KFCC4BA	1SCA022834R1180	30.0

### Plastic enclosed switch-disconnectors, 6-pole, IP65



Rated operational current [A]	Cable outlets / size		Enclosure size [mm]			Type	Ordering number	Weight [kg]	
	AC-22A ≤500V	AC-23A ≤415V	AC-23A 500V	W	H				D
Includes selector-type red-yellow handle (I-0 and ON-OFF indication), N- and PE-terminals. Threaded knock-outs, compression glands have to be ordered separately.									
16	16	16	2xM25+M16	130	150	85	OTP16BA6M	1SCA022401R6880	0.7
16	16	16	2xPg21+Pg11	130	150	85	OTP16BA6P	1SCA022394R5330	0.7
25	20	20	2xM25+M16	130	150	85	OTP25BA6M	1SCA022401R6960	0.7
25	20	20	2xPg21+Pg11	130	150	85	OTP25BA6P	1SCA022394R5410	0.7
40	23	23	2xM25+M16	130	150	85	OTP32BA6M	1SCA022401R7000	0.7
40	23	23	2xPg21+Pg11	130	150	85	OTP32BA6P	1SCA022394R5680	0.7
Includes pistol-type red-yellow handle (I-0 and ON-OFF indication), N- and PE-terminals. Threaded knock-outs, compression glands have to be ordered separately.									
45	45	45	2xM32+M16	145	200	90	OTP45BA6M	1SCA022401R7180	1.6
45	45	45	2xPg29+Pg11	145	200	90	OTP45BA6P	1SCA022394R5840	1.6
63	45	45	2xM32+M16	145	200	90	OTP63BA6M	1SCA022401R7260	1.6
63	45	45	2xPg29+Pg11	145	200	90	OTP63BA6P	1SCA022394R5760	1.6
125	90	70	2xM50+M16	200	400	140	OTP125BA6M	1SCA022812R7690	3.2
Knock-out flanges, flanges have to be ordered separately.									
125	90	70	I-flange	200	400	140	OTP125BA6B	1SCA022401R7510	3.2
125	90	70	-	200	400	140	OTP125BA6U	1SCA022401R7690	3.2



# Enclosed switches Ordering information



OTP16BA3MS



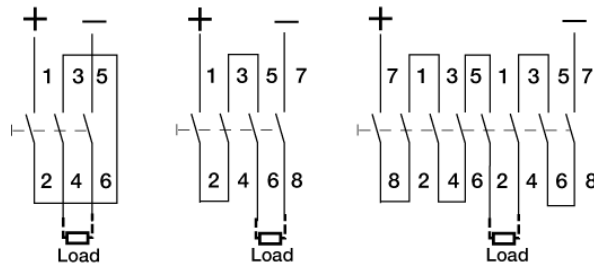
OTP16BA4MS  
OTP16BA8MS  
OTP32BA3MS  
OTP32BA8MS

## Plastic enclosed switch-disconnectors for solar modules, 2-pole, IP65

Utilisation category and voltage $I_n$ [A] DC-21A DC-20A* $U_e$ [VDC] $U_e$ [VDC]	Cable outlets / side	Enclosure size			Type	Ordering number	Weight [kg]
		W	H	D			
16 220 800	2xM20	85	120	60	OTP16BA3MS	1SCA022643R0530	0.4
16 500 800	2xM25+M16	130	150	60	OTP16BA4MS	1SCA022643R0610	0.4
16 800 800	2xM25+M16	130	150	85	OTP16BA8MS	1SCA022643R0700	0.4
32 220 800	2xM25+M16	130	150	60	OTP32BA3MS	1SCA022643R0880	0.8
32 750 800	2xM25+M16	130	150	85	OTP32BA8MS	1SCA022643R1000	0.8

Includes selector-type red-yellow handle (I-0 and ON-OFF indication).  
Threaded knock-outs, compression glands have to be ordered separately.

### Circuit diagrams

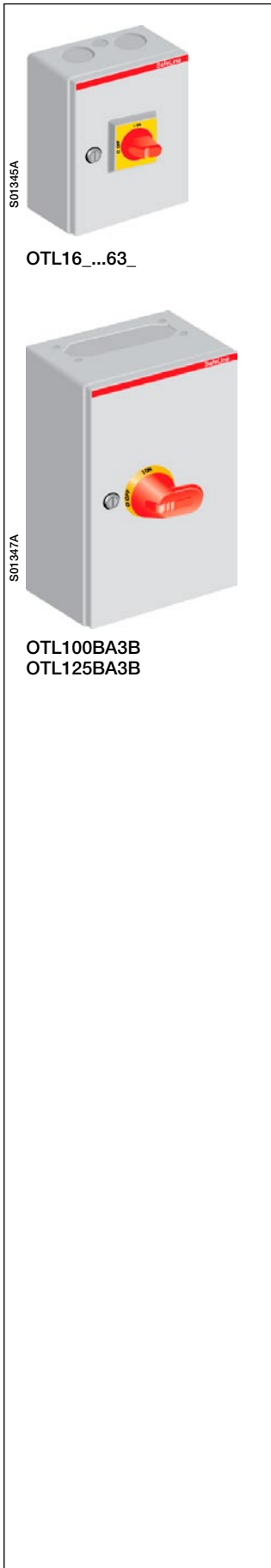


\*Insulation voltage  $U_i=800V$ , pollution degree 2.  
\*Insulation voltage  $U_i=750V$ , pollution degree 3.





## Enclosed switches Ordering information



### Steel sheet enclosed switch-disconnectors, 3-pole, IP65

Rated operational current [A]			Cable outlets / size	Enclosure size [mm]			Type	Ordering number	Weight [kg]
AC-22A ≤500V	AC-23A ≤415V	AC-23A 500V		W	H	D			

Includes selector-type red-yellow handle (I-0 and ON-OFF indication), N- and PE-terminals.  
Cable knock-outs as standard, compression glands have to be ordered separately.

16	16	16	2xø25+ø16	150	200	100	OTL16BA3M	1SCA022562R1850	1.7
25	20	20	2xø25+ø16	150	200	100	OTL25BA3M	1SCA022562R3040	1.7
40	23	23	2xø25+ø16	150	200	100	OTL32BA3M	1SCA022562R4100	1.7
63	45	45	2xø32+ø16	150	200	100	OTL45BA3M	1SCA022562R5330	1.9
80	75	58	2xø32+ø16	150	200	100	OTL63BA3M	1SCA022562R6570	1.9

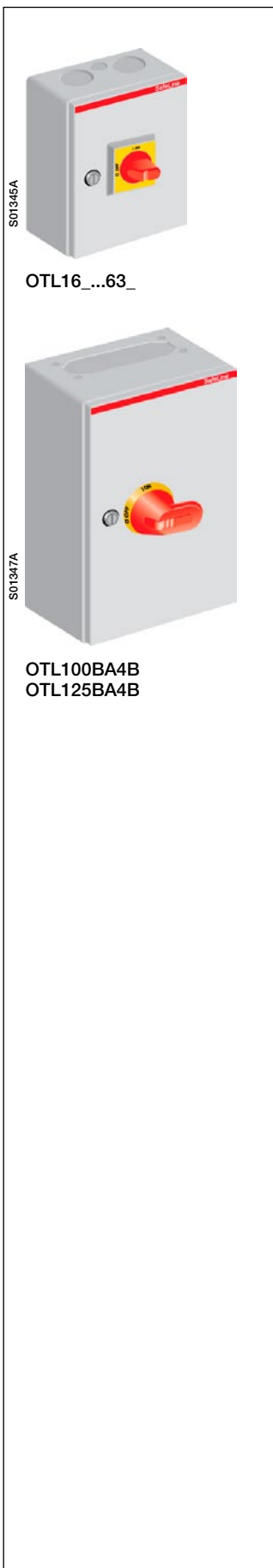
Includes pistol-type red-yellow handle (I-0 and ON-OFF indication), N- and PE-terminals.  
Cable knock-outs as standard, flanges have to be ordered separately.

100	80	60	B-flange	200	300	150	OTL100BA3B	1SCA022562R8940	3.4
100	80	60	-	200	300	150	OTL100BA3U	1SCA022562R9080	3.4
125	90	70	B-flange	200	300	150	OTL125BA3B	1SCA022563R0250	3.4
125	90	70	-	200	300	150	OTL125BA3U	1SCA022563R0330	3.4



## Enclosed switches Ordering information

### Steel sheet enclosed switch-disconnectors, 4-pole, IP65



Rated operational current [A]	Cable outlets / size			Enclosure size [mm]			Type	Ordering number	Weight [kg]
	AC-22A ≤500V	AC-23A ≤415V	AC-23A 500V	W	H	D			

Includes selector-type red-yellow handle (I-0 and ON-OFF indication), N- and PE-terminals.  
Cable knock-outs as standard, compression glands have to be ordered separately.

16	16	16	2xø25+ø16	150	200	100	OTL16BA4M	1SCA022562R2070	1.7
25	20	20	2xø25+ø16	150	200	100	OTL25BA4M	1SCA022562R3210	1.7
40	23	23	2xø25+ø16	150	200	100	OTL32BA4M	1SCA022562R4360	1.7
63	45	45	2xø32+ø16	150	200	100	OTL45BA4M	1SCA022562R5500	1.9
80	75	58	2xø32+ø16	150	200	100	OTL63BA4M	1SCA022562R6730	1.9

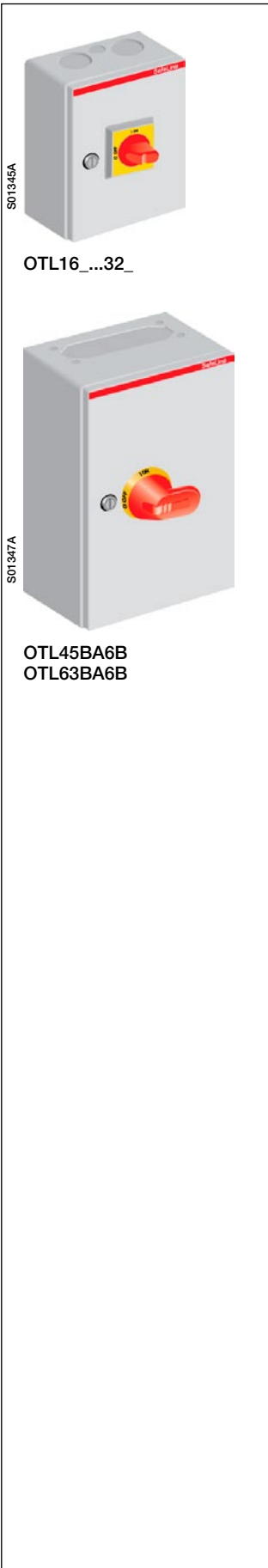
Includes pistol-type red-yellow handle (I-0 and ON-OFF indication), N- and PE-terminals.  
Cable knock-outs as standard, flanges have to be ordered separately.

100	80	60	B-flange	200	300	150	OTL100BA4B	1SCA022562R9160	3.4
100	80	60	-	200	300	150	OTL100BA4U	1SCA022562R9240	3.4
125	90	70	B-flange	200	300	150	OTL125BA4B	1SCA022563R0410	3.4
125	90	70	-	200	300	150	OTL125BA4U	1SCA022563R0500	3.4



## Enclosed switches Ordering information

### Steel sheet enclosed switch-disconnectors, 6-pole, IP65



Rated operational current [A]			Cable outlets / size	Enclosure size [mm]			Type	Ordering number	Weight [kg]
AC-22A ≤500V	AC-23A ≤415V	AC-23A 500V		W	H	D			

Includes selector-type red-yellow handle (I-0 and ON-OFF indication), N- and PE-terminals. Cable knock-outs as standard, compression glands have to be ordered separately.

16	16	16	2xø25+ø16	150	200	100	OTL16BA6M	1SCA022562R2230	1.8
25	20	20	2xø25+ø16	150	200	100	OTL25BA6M	1SCA022562R3470	1.8
40	23	23	2xø25+ø16	150	200	100	OTL32BA6M	1SCA022562R4520	1.8

Includes pistol-type red-yellow handle (I-0 and ON-OFF indication), N- and PE-terminals. Cable knock-outs as standard, flanges have to be ordered separately.

63	45	45	B-flange	200	300	150	OTL45BA6B	1SCA022610R5110	3.5
63	45	45	-	200	300	150	OTL45BA6U	1SCA022610R5200	3.5
80	75	58	B-flange	200	300	150	OTL63BA6B	1SCA022610R5380	3.5
80	75	58	-	200	300	150	OTL63BA6U	1SCA022610R5460	3.5

### Stainless steel sheet enclosed switch-disconnectors, 3-pole, IP65

Rated operational current [A]	Cable outlets / size		Enclosure size [mm]			Type	Ordering number	Weight [kg]
	AC-22A ≤500V	AC-23A ≤415V	AC-23A 500V	W	H			

Includes selector-type red-yellow handle (I-0 and ON-OFF indication), N- and PE-terminals. Cable knock-outs as standard, compression glands have to be ordered separately.

16	16	16	2xø25+ø16	150	200	100	OTR16BA3M	1SCA022569R5110	1.7
25	20	20	2xø25+ø16	150	200	100	OTR25BA3M	1SCA022569R5540	1.7
40	23	23	2xø25+ø16	150	200	100	OTR32BA3M	1SCA022569R5970	1.7
63	45	45	2xø32+ø16	150	200	100	OTR45BA3M	1SCA022569R6350	1.9
80	75	58	2xø32+ø16	150	200	100	OTR63BA3M	1SCA022569R6780	1.9

Includes pistol-type red-yellow handle (I-0 and ON-OFF indication), N- and PE-terminals. Cable knock-outs as standard, flanges have to be ordered separately.

100	80	60	B-flange	200	300	135	OTR100BA3B	1SCA022569R7320	3.4
100	80	60	-	200	300	135	OTR100BA3U	1SCA022569R7590	3.4
125	90	70	B-flange	200	300	135	OTR125BA3B	1SCA022569R7750	3.4
125	90	70	-	200	300	135	OTR125BA3U	1SCA022569R7910	3.4

### Stainless steel sheet enclosed switch-disconnectors, 4-pole, IP65

Rated operational current [A]	Cable outlets / size		Enclosure size [mm]			Type	Ordering number	Weight [kg]
	AC-22A ≤500V	AC-23A ≤415V	AC-23A 500V	W	H			

Includes selector-type red-yellow handle (I-0 and ON-OFF indication), N- and PE-terminals. Cable knock-outs as standard, compression glands have to be ordered separately.

16	16	16	2xø25+ø16	150	200	100	OTR16BA4M	1SCA022569R5200	1.7
25	20	20	2xø25+ø16	150	200	100	OTR25BA4M	1SCA022569R5620	1.7
40	23	23	2xø25+ø16	150	200	100	OTR32BA4M	1SCA022569R6010	1.7
63	45	45	2xø32+ø16	150	200	100	OTR45BA4M	1SCA022569R6430	1.9
80	75	58	2xø32+ø16	150	200	100	OTR63BA4M	1SCA022569R6860	1.9

Includes pistol-type red-yellow handle (I-0 and ON-OFF indication), N- and PE-terminals. Cable knock-outs as standard, flanges have to be ordered separately.

100	80	60	B-flange	200	300	135	OTR100BA4B	1SCA022569R7410	3.4
100	80	60	-	200	300	135	OTR100BA4U	1SCA022569R7670	3.4
125	90	70	B-flange	200	300	135	OTR125BA4B	1SCA022569R7830	3.4
125	90	70	-	200	300	135	OTR125BA4U	1SCA022569R8050	3.4

### Stainless steel sheet enclosed switch-disconnectors, 6-pole, IP65

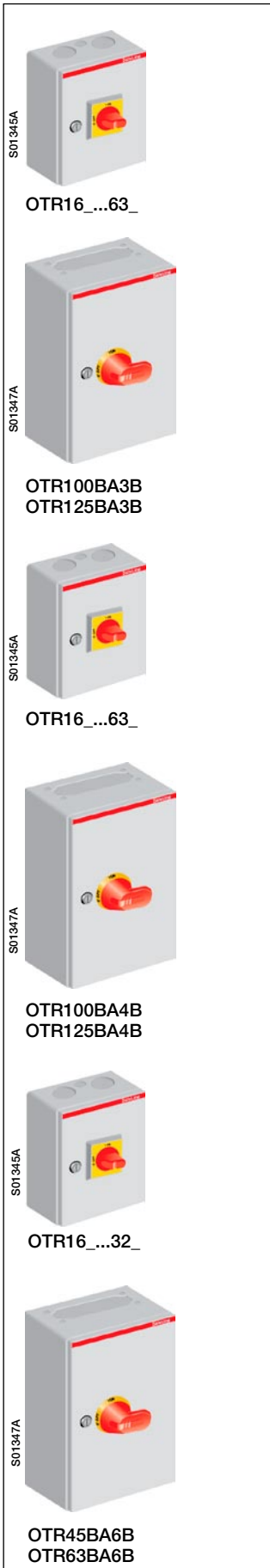
Rated operational current [A]	Cable outlets / size		Enclosure size [mm]			Type	Ordering number	Weight [kg]
	AC-22A ≤500V	AC-23A ≤415V	AC-23A 500V	W	H			

Includes selector-type red-yellow handle (I-0 and ON-OFF indication), N- and PE-terminals. Cable knock-outs as standard, compression glands have to be ordered separately.

16	16	16	2xø25+ø16	150	200	100	OTR16BA6M	1SCA022575R2610	1.8
25	20	20	2xø25+ø16	150	200	100	OTR25BA6M	1SCA022575R3090	1.8
40	23	23	2xø25+ø16	150	200	100	OTR32BA6M	1SCA022575R3410	1.8

Includes pistol-type red-yellow handle (I-0 and ON-OFF indication), N- and PE-terminals. Cable knock-outs as standard, flanges have to be ordered separately.

63	45	45	B-flange	200	300	135	OTR45BA6B	1SCA022611R6910	3.5
63	45	45	-	200	300	135	OTR45BA6U	1SCA022611R7040	3.5
80	75	58	B-flange	200	300	135	OTR63BA6B	1SCA022611R7390	3.5
80	75	58	-	200	300	135	OTR63BA6U	1SCA022611R7470	3.5





### Plastic enclosed switch fuses, BS-type, 3-pole, IP65

$I_{th}$ +40°C [A]	Rated operational current AC 22A / AC 23A 500V [A/A]	Suitable for fuse type BS 88	Cable outlets / side	Enclosure size			Type	Ordering number	Weight [kg]
				W	H	D			

Includes pistol-type black handle (I-0 and ON-OFF indication), N- and PE-terminals.  
Delivery with blank cable entries.

20	20/20	A1	-	175	250	150	OS20PA1FUU3B	1SCA022280R9290	1.7
32	32/32	A1	-	175	250	150	OS32PA1FUU3B	1SCA022281R0460	1.7

Includes pistol-type black handle (I-0 and ON-OFF indication), N- and PE-terminals.  
Cable knock-outs as standard, flanges have to be ordered separately.

32	32/32	A2-A3	II-flange	280	190	180	OS32GA3FCC3B	1SCA022281R1600	2.8
63	63/63	A2-A3	II-flange	280	190	180	OS63GA3FCC3B	1SCA022280R6780	2.8
125	135/100	A2-A3	II-flange	380	190	180	OS100GA4FCC3B	1SCA022280R8560	4.9
200	200/200	B1-B2	II-flange	380	560	280	OS200BB2FCC3B	1SCA022280R9110	13.6
315	315/315	B1-B3	II-flange	380	560	280	OS315BB3FCC3B	1SCA022281R0380	14.6
400	400/400	B1-B4	II-flange	380	560	280	OS400BB4FCC3B	1SCA022302R6630	14.6

### Plastic enclosed switch fuses, BS-type, 4-pole, IP65

$I_{th}$ +40°C [A]	Rated operational current AC 22A / AC 23A 500V [A/A]	Suitable for fuse type BS 88	Cable outlets / side	Enclosure size			Type	Ordering number	Weight [kg]
				W	H	D			

Includes pistol-type black handle (I-0 and ON-OFF indication), N- and PE-terminals.  
Delivery with blank cable entries.

20	20/10	A1	-	175	250	150	OS20PA1FUU4B	1SCA022280R9880	1.8
32	32/15	A1	-	175	250	150	OS32PA1FUU4B	1SCA022281R1010	1.8

Includes pistol-type black handle (I-0 and ON-OFF indication), N- and PE-terminals.  
Cable knock-outs as standard, flanges have to be ordered separately.

32	32/15	A2-A3	II-flange	280	190	180	OS32GA3FCC4B	1SCA022280R6190	3.0
63	63/30	A2-A3	II-flange	280	190	180	OS63GA3FCC4B	1SCA022280R7320	3.0
125	100/55	A2-A3	II-flange	380	190	180	OS100GA4FCC4B	1SCA022280R7910	5.2
200	200/110	B1-B2	II-flange	380	560	280	OS200BB2FCC4B	1SCA022280R9700	14.4

$I_{th}$ +40°C [A]	Rated operational current AC 22A / AC 23A 500V [A/A]	Suitable for fuse type BS 88	Cable outlets / side	Enclosure size			Type	Ordering number	Weight [kg]
				W	H	D			

Includes pistol-type black handle (I-0 and ON-OFF indication), N- and PE-terminals.  
Cable knock-outs as standard, compression glands have to be ordered separately.

20	20/20	A1	2xø25+ø16	233	350	140	OS20PA1LMM3B	1SCA022281R1510	4.0
32	32/32	A1	2xø25+ø16	233	350	140	OS32PA1LMM3B	1SCA022281R2670	4.0



OS20...800



OS20...800

### Steel sheet enclosed switch fuses, BS-type, 4-pole, IP54

$I_{th}$ +40°C [A]	Rated operational current AC 22A / AC 23A 500V [A/A]	Suitable for fuse type BS 88	Cable outlets / side	Enclosure size			Type	Ordering number	Weight [kg]
				W	H	D			

Includes pistol-type black handle (I-0 and ON-OFF indication), N- and PE-terminals.  
Cable knock-outs as standard, compression glands have to be ordered separately.

20	20/20	A1	2xø25+ø16	233	350	140	OS20PA1LMM4B	1SCA022281R2080	4.1
32	32/32	A1	2xø25+ø16	233	350	140	OS32PA1LMM4B	1SCA022281R3210	4.1

### Steel sheet enclosed switch fuses, BS-type, 3-pole, IP65

$I_{th}$ +40°C [A]	Rated operational current AC 22A / AC 23A 500V [A/A]	Suitable for fuse type BS 88	Cable outlets / side	Enclosure size			Type	Ordering number	Weight [kg]
				W	H	D			

Includes pistol-type black handle (I-0 and ON-OFF indication), N- and PE-terminals.  
Delivery with blank cable entries.

20	20/20	A1	-	250	400	180	OS20PA1LUU3FZ	1SCA022320R8400	8.5
32	32/32	A1	-	250	400	180	OS32PA1LUU3FZ	1SCA022320R8660	8.5
32	32/32	A2-A3	-	250	400	180	OS32GA3LUU3FZ	1SCA022320R8820	9.2
63	63/63	A2-A3	-	250	400	180	OS63GA3LUU3FZ	1SCA022320R9040	9.2
125	125/100	A2-A4	-	250	400	180	OS100GA4LUU3FZ	1SCA022320R9210	9.8
135	135/100	B1-B2	-	400	600	230	OS160BB2LUU3FZ	1SCA022320R9470	19.4
200	200/200	B1-B2	-	400	800	330	OS200BB2LUU3FZ	1SCA022320R9630	28.3
315	315/315	B1-B3	-	400	800	330	OS315BB3LUU3FZ	1SCA022320R9800	29.1
400	400/400	B1-B4	-	400	800	330	OS400BB4LUU3FZ	1SCA022321R0050	29.5
600	600/600	C1-C2	-	400	1000	330	OS630BC2LUU3FZ	1SCA022321R0210	44.4
720	720/720	C1-C3	-	800	1000	330	OS800BC3LUU3FZ	1SCA022321R0480	65.0

### Steel sheet enclosed switch fuses, BS-type, 4-pole, IP65

$I_{th}$ +40°C [A]	Rated operational current AC 22A / AC 23A 500V [A/A]	Suitable for fuse type BS 88	Cable outlets / side	Enclosure size			Type	Ordering number	Weight [kg]
				W	H	D			

Includes pistol-type black handle (I-0 and ON-OFF indication), N- and PE-terminals.  
Delivery with blank cable entries.

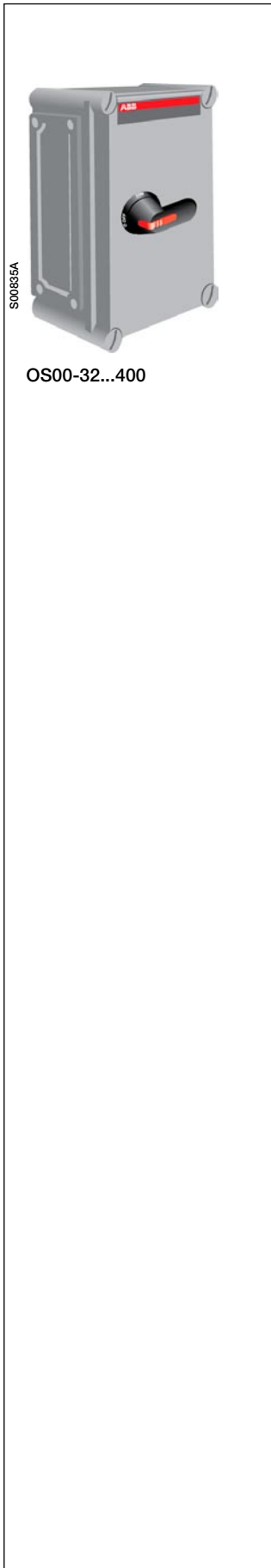
20	20/20	A1	-	250	400	180	OS20PA1LUU4FZ	1SCA022321R0640	8.6
32	32/32	A1	-	250	400	180	OS32PA1LUU4FZ	1SCA022321R0810	8.6
32	32/32	A2-A3	-	250	400	180	OS32GA3LUU4FZ	1SCA022321R1020	9.4
63	63/63	A2-A3	-	250	400	180	OS63GA3LUU4FZ	1SCA022320R5990	9.4
125	125/100	A2-A4	-	250	400	180	OS100GA4LUU4FZ	1SCA022320R6110	10.3
135	135/100	B1-B2	-	400	600	230	OS160BB2LUU4FZ	1SCA022320R6370	19.9
200	200/200	B1-B2	-	400	800	330	OS200BB2LUU4FZ	1SCA022320R6530	29.2
315	315/315	B1-B3	-	400	800	330	OS315BB3LUU4FZ	1SCA022320R6700	29.9
400	400/400	B1-B4	-	400	800	330	OS400BB4LUU4FZ	1SCA022320R6960	30.4
600	600/600	C1-C2	-	800	1000	330	OS630BC2LUU4FZ	1SCA022320R7180	67.8
720	720/720	C1-C3	-	800	1000	330	OS800BC3LUU4FZ	1SCA022320R7340	71.0

### Steel sheet enclosed switch fuses, BS-type, 2-pole, IP65

$I_{th}$ +40°C [A]	Rated operational current AC 22A / AC 23A 500V [A/A]	Suitable for fuse type BS 88	Cable outlets / side	Enclosure size			Type	Ordering number	Weight [kg]
				W	H	D			

Includes pistol-type black handle (I-0 and ON-OFF indication), N- and PE-terminals.  
Delivery with blank cable entries.

32	32/32	A2-A3	-	250	400	180	OS32GA3LUU2FZ	1SCA022320R7510	8.8
63	63/63	A2-A3	-	250	400	180	OS63GA3LUU2FZ	1SCA022320R7770	8.8
125	125/100	A2-A4	-	250	400	180	OS100GA4LUU2FZ	1SCA022320R7930	9.4
135	135/100	B1-B2	-	400	600	230	OS160BB2LUU2FZ	1SCA022320R8150	19.0
200	200/200	B1-B2	-	400	800	330	OS200BB2LUU2FZ	1SCA022320R8310	27.1
315	315/315	B1-B3	-	400	800	330	OS315BB3LUU2FZ	1SCA022320R8580	27.9
400	400/400	B1-B4	-	400	800	330	OS400BB4LUU2FZ	1SCA022320R8740	28.3
600	600/600	C1-C2	-	400	1000	330	OS630BC2LUU2FZ	1SCA022320R8910	39.0
720	720/720	C1-C3	-	400	1000	330	OS800BC3LUU2FZ	1SCA022320R9120	59.3



### Plastic enclosed switch fuses, DIN-type, 3-pole

Delivery without cable entries, top and bottom sides are open. Cable entries for C-flanges or for ring-flanges have to be ordered separately, see accessories. These entries are used also for fixing the enclosed switches. Flanges have to be ordered separately too.

Includes pistol-type black handle (I-0 and ON-OFF indication), N- and PE-terminals.

$I_{th}$	Rated operational current	Suitable for fuse type	Cable outlets	Enclosure size [mm]	Type	Ordering number	Weight
+40° [A]	AC-22A / AC-23A 500V [A/A]	DIN		W H D			[kg]

#### 3-pole, IP54

Includes pistol-type black handle (I-0 and ON-OFF indication), N- and PE-terminals.

Cable knock-outs as standard, flanges have to be ordered separately.

32	32/32	00	II-flange	280 190 180	OS00-32A00FCC3B	1SCA022315R1450	2.8
63	63/63	00	II-flange	280 190 180	OS00-63A00FCC3B	1SCA022315R1610	3.0
125	125/100	00	II-flange	280 380 180	OS00A00FCC3B	1SCA022315R2260	4.9
135	135/100	00	II-flange	380 560 180	OS00-160A00FCC3B	1SCA022315R2690	8.0
250	250/250	0-1	II-flange	380 560 280	OS250D1FCC3B	1SCA022315R3070	13.8
400	400/400	0-2	II-flange	380 560 280	OS400D2FCC3B	1SCA022315R3400	14.6

### Plastic enclosed switch fuses, DIN-type, 4-pole, IP65

$I_{th}$	Rated operational current	Suitable for fuse type	Cable outlets	Enclosure size [mm]	Type	Ordering number	Weight
+40° [A]	AC-22A / AC-23A 500V [A/A]	DIN		W H D			[kg]

Includes pistol-type black handle (I-0 and ON-OFF indication), N- and PE-terminals.

Cable knock-outs as standard, flanges have to be ordered separately.

32	32/32	00	II-flange	280 190 180	OS00-32A00FCC4B	1SCA022315R1880	3.0
63	63/63	00	II-flange	280 190 180	OS00-63A00FCC4B	1SCA022315R2000	3.0
125	125/100	00	II-flange	280 380 180	OS00A00FCC4B	1SCA022315R2420	5.2
135	135/100	00	II-flange	380 560 180	OS00-160A00FCC4B	1SCA022315R2850	8.5
250	250/250	0-1	II-flange	380 560 280	OS250D1FCC4B	1SCA022315R3230	14.0
400	400/400	0-2	II-flange	560 760 250	OS400D2FCC4B	1SCA022628R6070	14.8



### Steel sheet enclosed switch fuses, DIN-type

Delivery without cable entries, top and bottom sides are open. Cable entries for C-flanges or for ring-flanges have to be ordered separately, see accessories. These entries are used also for fixing the enclosed switches. Flanges have to be ordered separately too.  
Includes pistol-type black handle (I-0 and ON-OFF indication), N- and PE-terminals.

I <sub>n</sub> +40° [A]	Rated operational current AC-22A / AC-23A 500V [A/A]	Suitable for fuse type DIN	Cable outlets	Enclosure size [mm]			Type	Ordering number	Weight [kg]
				W	H	D			
<b>3-pole, IP54</b>									
2	32/32	00	Open	250	400	180	OS00-32A00LAA3B	1SCA022325R2560	9.2
63	63/63	00	Open	250	400	180	OS00-63A00LAA3B	1SCA022292R9600	9.2
125	125/100	00	Open	250	400	180	OS00A00LAA3B	1SCA022325R3110	9.8
135	135/100	00	Open	400	600	230	OS00-160A00LAA3B	1SCA022325R3530	17.8
250	250/250	0-1	Open	400	800	330	OS250D1LAA3B	1SCA022325R3960	28.6
400	400/400	0-2	Open	400	800	330	OS400D2LAA3B	1SCA022292R9860	29.6
600	600/600	3	Open	400	1000	330	OS630D3LAA3B	1SCA022325R4510	43.4
720	720/720	3	Open	800	1000	330	OS800D3LAA3B	1SCA022325R4930	65.0
<b>4-pole, IP54</b>									
32	32/32	00	Open	250	400	180	OS00-32A00LAA4B	1SCA022325R5310	9.4
63	63/63	00	Open	250	400	180	OS00-63A00LAA4B	1SCA022325R5910	9.4
125	125/100	00	Open	250	400	180	OS00A00LAA4B	1SCA022320R6020	10.0
135	135/100	00	Open	400	600	230	OS00-160A00LAA4B	1SCA022320R6450	18.0
250	250/250	0-1	Open	400	800	330	OS250D1LAA4B	1SCA022320R6880	29.4
400	400/400	0-2	Open	400	800	330	OS400D2LAA4B	1SCA022320R7260	30.5
600	600/600	3	Open	800	1000	330	OS630D3LAA4B	1SCA022320R7690	67.8
720	720/720	3	Open	800	1000	330	OS800D3LAA4B	1SCA022320R8070	70.8
<b>3-pole, IP65</b>									
32	32/32	00	Open	250	400	180	OS00-32A00LAA3BZ	1SCA022325R2720	9.2
63	63/63	00	Open	250	400	180	OS00-63A00LAA3BZ	1SCA022325R2990	9.2
125	125/100	00	Open	250	400	180	OS00A00LAA3BZ	1SCA022325R3370	9.8
135	135/100	00	Open	400	600	230	OS00-160A00LAA3BZ	1SCA022325R3700	17.8
250	250/250	0-1	Open	400	800	330	OS250D1LAA3BZ	1SCA022325R4180	28.6
400	400/400	0-2	Open	400	800	330	OS400D2LAA3BZ	1SCA022325R4340	29.6
600	600/600	3	Open	400	1000	330	OS630D3LAA3BZ	1SCA022325R4770	43.4
20	720/720	3	Open	800	1000	330	OS800D3LAA3BZ	1SCA022325R5150	65.0
<b>4-pole, IP65</b>									
32	32/32	00	Open	250	400	180	OS00-32A00LAA4BZ	1SCA022325R5740	9.4
63	63/63	00	Open	250	400	180	OS00-63A00LAA4BZ	1SCA022320R5810	9.4
125	125/100	00	Open	250	400	180	OS00A00LAA4BZ	1SCA022320R6290	10.0
135	135/100	00	Open	400	600	230	OS00-160A00LAA4BZ	1SCA022320R6610	18.0
250	250/250	0-1	Open	400	800	330	OS250D1LAA4BZ	1SCA022320R7000	29.4
400	400/400	0-2	Open	400	800	330	OS400D2LAA4BZ	1SCA022320R7420	30.5
600	600/600	3	Open	800	1000	330	OS630D3LAA4BZ	1SCA022320R7850	67.8
720	720/720	3	Open	800	1000	330	OS800D3LAA4BZ	1SCA022320R8230	70.8



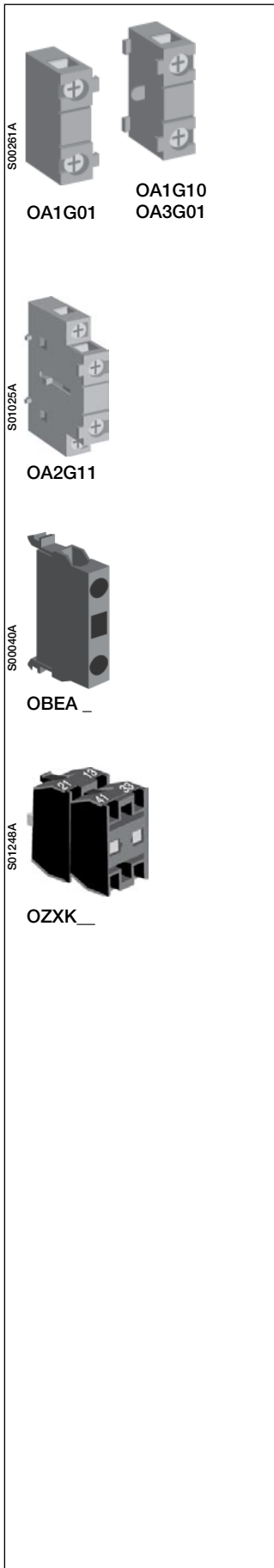
**Steel sheet enclosure**

- 1 Enclosure
- 2 Blank cable entry
- 3 Cable entry with ring-flange entries
- 4 Cable entry with C-flange entries
- 5 Ring-flange
- 6 Ring-flange cover
- 7 Plate extension for ring-flanges
- 8 Ring-flange adapters for C-flange covers
- 9 C-flange
- 10 C-flange cover

**Plastic enclosure**

- 1 Enclosure
- 2 Compression gland
- 3 Extension adapter
- 4 Gasket
- 5 Suppression adapter
- 6 Ventilation plug

S02183A



### Auxiliary contacts

#### Auxiliary contacts for enclosed switch-disconnectors OT16...125E

The auxiliary contacts n.o. open before the main contacts.

For switch	Auxiliary contact	Mounting to the side of the switch	Type	Ordering number	Delivery batch [pcs]	Weight [kg]
OT16...125E	1no	right	OA1G10	1SCA022353R4970	10	0.03
OT16...125E	1nc	left	OA1G01	1SCA022353R4890	10	0.03

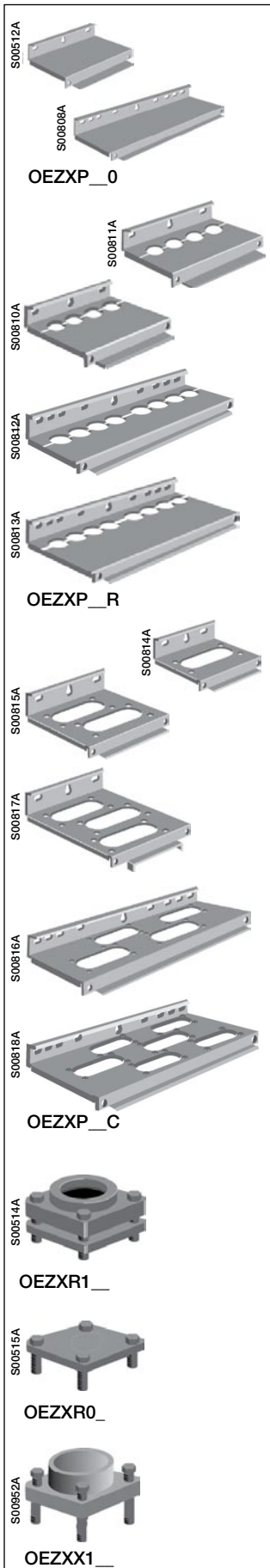
#### Auxiliary contacts for switch-disconnectors OT125A...1600

For switches	Auxiliary contact	Type <sup>1)</sup>	Ordering number	Delivery batch [pcs]	Weight [kg]
OT125A...160_	1no	OBEA10	1SCA022190R3000	10	0.02
OT200...800	1no	OBEA10AU	1SCA022185R3310	10	0.02
OT125A...160_	1nc	OA1G10	1SCA022353R4970	10	0.03
OT200...800	1nc	OBEA01	1SCA022190R3260	10	0.02
OT200...800	1nc	OBEA01AU	1SCA022185R3730	10	0.02
OT1000...1600	2no+2nc	OA3G01	1SCA022456R7410	10	0.03
	2no	OZ XK2	1SCA022131R8850	1	0.12
	2no	OZ XK4	1SCA022131R9230	1	0.10
	4no	OZ XK5	1SCA022131R9400	1	0.12

#### Technical data of auxiliary contacts:

	OA_	OBEA_ ja	OZ XK_
Protection class	IP 20	IP 20	
Rated thermal current I <sub>th</sub>	16 A	10 A	
Cable cross section, max.	2 x 2.5 mm <sup>2</sup>	2 x 2.5 mm <sup>2</sup>	
Cable cross section, min.	0.75 mm <sup>2</sup>	0.5 mm <sup>2</sup>	
Insulation voltage	690 V	690 V	
Operational current in different voltages, (IEC 60947-5-1)			
AC-15	230 V: 6 A	-	
	400 V: 4 A	-	
	415 V: 4 A	-	
	690 V: 2 A	-	
AC-12	120 V: -	8 A	
	240 V: -	6 A	
	400...415 V: -	4 A	
	480...500 V: -	3 A	
	690 V: -	2 A	
DC-12	24 V: 10	5 A	
	72 V: 4	1,9 A	
	125 V: 2	1,1 A	
	250 V: 0,55	0,55 A	
	440 V: 0,1	0,31 A	
	500 V: -	0,27 A	
	600 V: -	0,2 A	

<sup>1)</sup> Types \_AU for extremely difficult circumstances, even at low voltages. The contacts are gold plated.



### Cable entries for steel sheet enclosed switches

These cable entries are also used for fixing the enclosed switches. The flanges have to be ordered separately.

Size of cable entry W x D [mm]	Number of C-flange entries [pcs]	Number of ring-flange entries [pcs]	Type	Ordering number	Weight [kg]
<b>Blank entries, no flange entries</b>					
250x180	-	-	OEZXP120 <sup>1)</sup>	1SCA022277R2350	0.8
400x230	-	-	OEZXP240	1SCA022277R2780	1.5
400x330	-	-	OEZXP340	1SCA022277R3320	2.0
800x230	-	-	OEZXP280	1SCA022277R3910	3.0
800x330	-	-	OEZXP380	1SCA022277R4720	4.0
<b>Cable entries with ring-flange entries, divided <sup>2)</sup></b>					
400x230	-	4	OEZXP24R	1SCA022277R3160	1.6
400x330	-	4	OEZXP34R	1SCA022277R3750	2.1
800x230	-	8	OEZXP28R	1SCA022277R4560	3.2
800x330	-	8	OEZXP38R	1SCA022277R5020	4.2
<b>Cable entries with C-flange entries, compact <sup>2)</sup></b>					
250x180	1	-	OEZXP120C <sup>1)</sup>	1SCA022338R5360	0.8
400x230	2	-	OEZXP240C	1SCA022338R5520	1.7
400x330	3	-	OEZXP340C	1SCA022338R5790	2.3
800x230	4	-	OEZXP280C	1SCA022338R5950	3.4
800x330	6	-	OEZXP380C	1SCA022338R6170	4.5

### Cable entry gasket set for IP65 switches

For IP65 switches only, to seal up the cable entry

OEZXX2 1SCA022281R5340

### Cable flanges for steel sheet enclosures

Ring-flanges for different cable diameters

Outside diameter of cable [mm]	Suitable for cable entries	Type	Ordering number	Weight [kg]
22...35	OEZXP_R	OEZXR134	1SCA022277R5610	0.45
31...44	OEZXP_R	OEZXR143	1SCA022277R5880	0.40
39...51	OEZXP_R	OEZXR150	1SCA022277R6000	0.35
46...59	OEZXP_R	OEZXR158	1SCA022277R6260	0.30

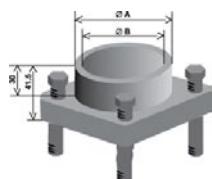
### Ring-flange covers with knock-out openings

Knock-out size $\phi$ / [mm]	Suitable for cable entries	Type	Ordering number	Weight [kg]
20.5	OEZXP_R	OEZXR020	1SCA022656R8130	0.16
22.5	OEZXP_R	OEZXR023	1SCA022277R5290	0.16
25.5	OEZXP_R	OEZXR025	1SCA022656R8120	0.16
37	OEZXP_R	OEZXR037	1SCA022277R5450	0.16
40.5	OEZXP_R	OEZXR040	1SCA022656R8300	0.16

### Plate extension for ring-flanges

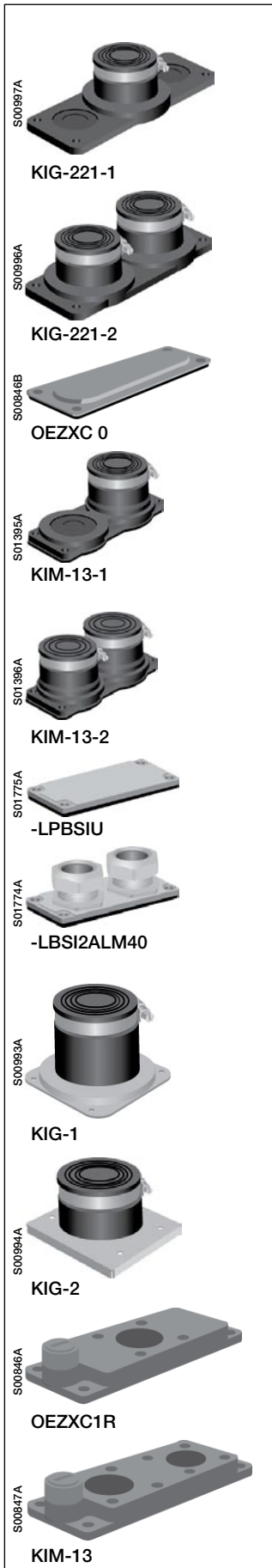
Screws are included in the delivery. With a plate extension the plastic shrink film can be mounted over the ring-flange and the cable.

Suitable for ring-flanges	Dimensions [mm]		Type	Ordering number	Weight [kg]
	A	B			
OEZXR134 and OEZXR143	49	43	OEZXX143R	1SCA022350R3820	0.18
OEZXR150 and OEZXR158	70	64	OEZXX158R	1SCA022350R3910	0.18



<sup>1)</sup> Includes knock-outs  $\phi$  10, 12.5, 20.5 and 25.5

<sup>2)</sup> Includes knock-outs  $\phi$  10, 12.5, 20.5, 25.5 and 32.5



### Cable flanges for steel sheet enclosures

#### C-flanges for cable entries

Mounting set for the flange is included: screws, nuts and a seal extruded into the flanges. Steel.

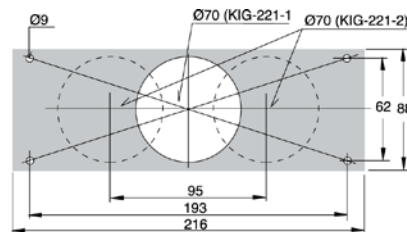
Suitable cable size $\phi$ / [mm]	For cable entries/ Compression glands	Type	Ordering number	Weight [kg]
<b>C-flanges</b>				
20...65		KIG-221-1	1SEH650052R6713	0.49
2x(20...65)		KIG-221-2	1SEH650052R6714	0.72
<b>C-flange cover</b>				
-	OEZXP_C	OEZXC 0	1SCA022277R6420	0.25
<b>B-flanges for cable entries</b>				
15...40		KIM13-1	1SEH655267R2050	0.20
2x(15...40)		KIM13-2	1SEH655267R2060	0.30
Metallic, includes sealing gasket and fixing accessories, compression glands. IP 65.				
-	Cover plate, Fe, hot dip galvanized	LBFEU	1SCA022713R6040	0.16
-	Cover plate, siluminium	LBSIU	1SCA022713R6120	0.20
8...14	2xM20	LBSI2ALM20	1SCA022713R6210	0.26
10...16	4xM25	LBSI4ALM25	1SCA022713R6390	0.26
16...21	3xM32	LBSI3ALM32	1SCA022713R6550	0.26
18...27	2xM40	LBSI2ALM40	1SCA022713R6630	0.26
16...21 (M32)/ 10...16 (M25)	2xM32+1xM25	LBSI2ALM32+ 1ALM25	1SCA022722R3520	0.26
10...16	3xM25+ 1xM25 (Blank plug)	LBSI3ALM25+ 1TM25	1SCA022722R3610	0.22
<b>Cable inlet</b>				
15...45	See the picture below	KIG-1	1SEH650052R6711	0.22
20...65		KIG-2	1SEH650052R6712	0.40

#### Ring-flange adapters for C-flange entries, Aluminium alloy

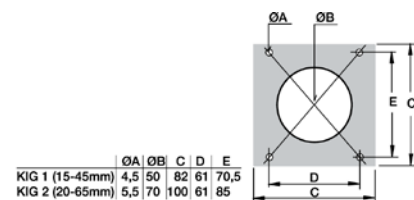
Mounting set for the flange is included: screws, nuts and a seal extruded into the flanges. Ring-flanges have to be ordered separately.

Remarks	Suitable for cable entries	Type	Ordering number	Weight [kg]
One hole for ring-flanges and knock-outs $\phi$ 21, $\phi$ 23, $\phi$ 29	OEZXP_C	OEZXC1R	1SCA022281R3560	0.53
Two holes for ring-flanges and one with Pg 16 threads	OEZXP_C	OEZXC2R	1SCA022281R3720	0.55

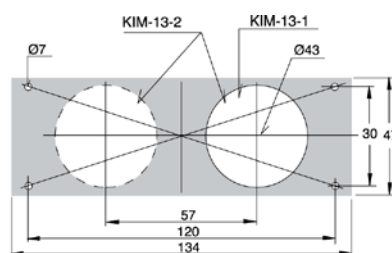
#### Drilling guide



KIG-221-1 and KIG-221-2

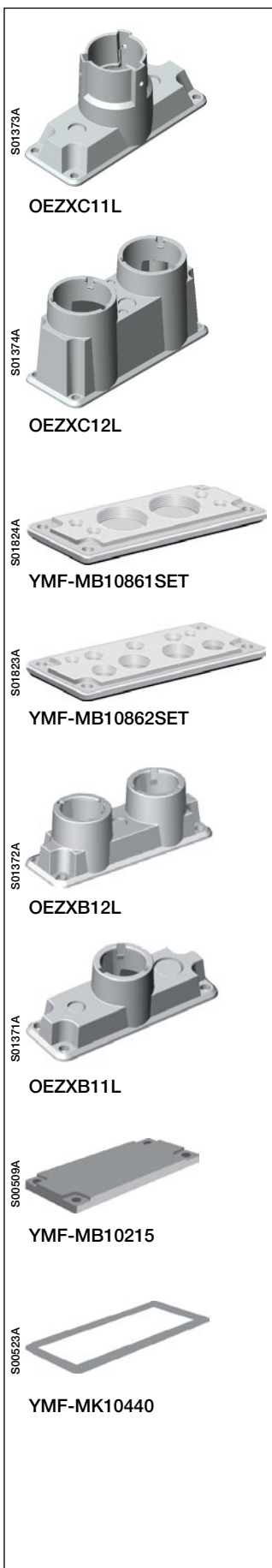


KIG-1 and KIG-2



OEZXC2R

### Cable flanges for plastic or steel sheet enclosures



Flange size	Outside diameter of cable [mm]	Knock-out of control cable [mm]	Type	Ordering number	Weight [kg]
<b>II/C-flanges</b>					
For cable entries from bottom. Mounting set, flange and cable gasket included.					
II / C	ø 30...55	2 x ø 20,5	OEZXC11L	1SCA022560R5570	0.40
II / C	2 x ø 30...60	2 x ø 20,5 + 2 x ø 10	OEZXC12L	1SCA022560R5730	0.53

Includes sealing gasket and fixing accessories					
II / C	2xM50 + 4xM20		YMF-MB10861SET	1SCA022715R9090	0.14
II / C	2xM32+2xM25+3xM20+2xM16		YMF-MB10862SET	1SCA022715R9170	0.12

<b>I/B-flanges</b>					
For cable entries from bottom. Mounting set, flange and cable gasket included (OEZXB).					
I / B	2 x ø 15...30	ø 12,5	OEZXB12L	1SCA022560R5140	0.12
I / B	ø 15...30	ø 12,5 + ø 20,5	OEZXB11L	1SCA022560R4920	0.10
I / B	Cover plate <sup>1)</sup>		YMF-MB10215	1SCA022191R2170	0.05
I / B	Gasket for cover plate		YMF-MK10440	1SCA022660R7130	0.01

#### Other accessories for plastic enclosures

Flange size	Accessory	Remarks	Type	Ordering number	Weight [kg]
	Mounting lugs (set of 4pcs.)	Plastic, for wall mounting	YMF-MB10674	1SCA022229R0010	

<sup>1)</sup> Fixing screws not included

### Compression glands, plastic

IP68

Thread	Cable DIA [mm]	Type	Ordering number	Weight [kg]
M12	2-7	ESKV12	1SCA022715R5850	0.01
M16	4,5-10	ESKV16	1SCA022715R5930	0.01
M20	6-13	ESKV20	1SCA022715R6070	0.02
M25	9-17	ESKV25	1SCA022715R6150	0.02
M32	13-21	ESKV32	1SCA022715R6230	0.03
M40	14-28	ESKV40	1SCA022715R6310	0.06
M50	18-35	ESKV50	1SCA022715R6400	0.08
M63	34-48	ESKV63	1SCA022715R6580	0.10

### Locking nuts, plastic

Needed if the enclosure holes are not provided with threads

M12	EMUG12	1SCA022715R8280	0.01
M16	EMUG16	1SCA022715R8360	0.01
M20	EMUG20	1SCA022715R8440	0.01
M25	EMUG25	1SCA022715R8520	0.01
M32	EMUG32	1SCA022715R8610	0.01
M40	EMUG40	1SCA022715R8790	0.01
M50	EMUG50	1SCA022715R8870	0.02
M63	EMUG63	1SCA022715R8950	0.02

### Compression glands, metallic

IP68.

M12	3...6	EMSKV12/5	1SCA022722R2710	0.02
M16	5...9	EMSKV16/5	1SCA022722R2800	0.03
M20	9...13	EMSKV20/6	1SCA022722R2980	0.04
M25	11...16	EMSKV25/7	1SCA022722R3010	0.06
M32	14...21	EMSKV32/8	1SCA022722R3100	0.08
M40	19...27	EMSKV40/8	1SCA022722R3280	0.08
M50	24...35	EMSKV50/9	1SCA022722R3360	0.10
M63	32...42	EMSKV63/10	1SCA022722R3440	0.12

### Locking nuts, metallic

Needed if the enclosure holes are not provided with threads

M12	EMMU12	1SCA022722R1910	0.01
M16	EMMU16	1SCA022722R2040	0.01
M20	EMMU20	1SCA022722R2120	0.02
M25	EMMU25	1SCA022722R2210	0.02
M32	EMMU32	1SCA022722R2390	0.03
M40	EMMU40	1SCA022722R2470	0.04
M50	EMMU50	1SCA022722R2550	0.05
M63	EMMU63	1SCA022722R2630	0.06

### Adapters for M-threads, plastic

Thread	Type	Ordering number	Weight [kg]
M16	KRM16/12	1SCA022749R6090	0.01
M20	KRM20/12	1SCA022749R6170	0.01
M25	KRM25/12	1SCA022749R6980	0.01
M25	EPN650M25/M32	1SCA101159R1001	0.01
M32	EPN650M32/M40	1SCA101160R1001	0.01

### Gasket

Thread/hole dia	Type	Ordering number	Weight [kg]
M16/ø16.5	EADR16	1SCA022749R6410	0.01
M20/ø20.5	EADR20	1SCA022749R6500	0.01
M25/ø25.5	EADR25	1SCA022749R6680	0.01
M32/ø32.5	EADR32	1SCA101165R1001	0.01

### Plastic ventilation plug, IP68

For eliminating the condensation of water or equalizing pressure inside the enclosure.

Thread	Type	Ordering number	Weight [kg]
M12	BVPB11	1SCA022749R6330	0.01



S01778A

-ESKV20



S01779A

-EMUG20



S01777A

-EMSKV25/7



S01780A

-EMMU25



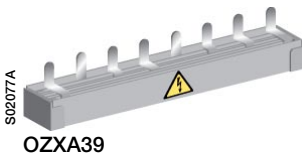
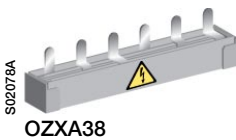
S01865A



S01867A

### Parallel connection kits for change-over switches

Finger protected connection bars for parallel connection of incoming or outgoing terminals. The bars accept additional cables, the maximum size is stated below.

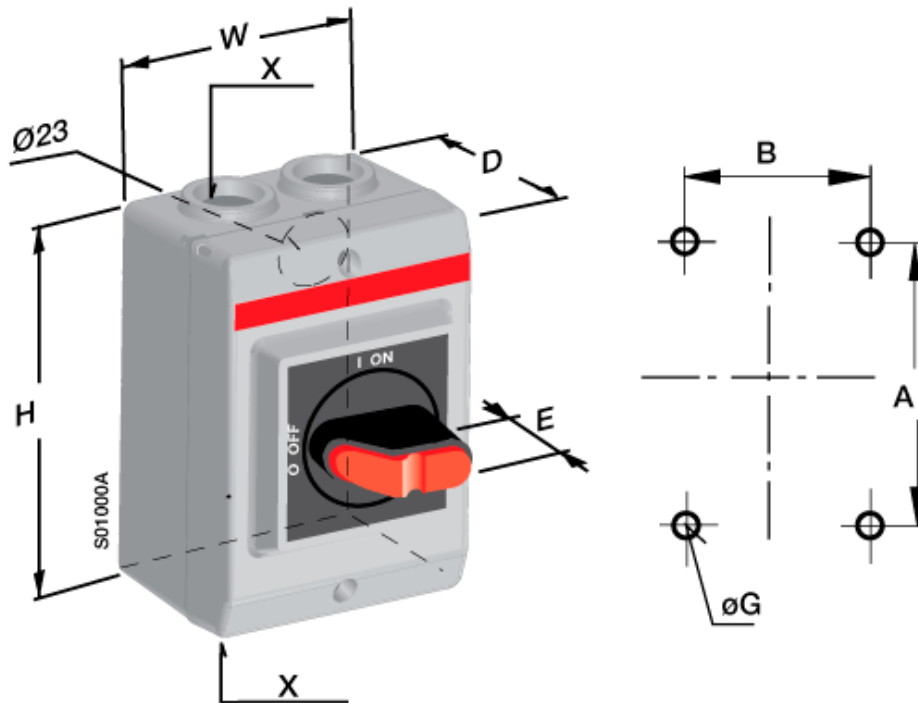


For switches	Max. cable size [mm <sup>2</sup> ]	Type	Ordering number	Weight [kg]
OT16...32E3C	6 (fine stranded), 10 (stranded)	OZXA33	1SCA022685R0310	0.02
OT16...32E4C	6 (fine stranded), 10 (stranded)	OZXA32	1SCA022683R4110	0.03
OT45...63E3C	25	OZXA38	1SCA022790R3740	0.06
OT45...63E4C	25	OZXA39	1SCA022785R2490	0.09

The bridging bars provide a connection link either on the incoming or outgoing side of the change-over switch.

For switches	Number of poles	Type	Ordering number	Weight [kg]
OT160...250	3	OTZC13	1SCA022767R6910	0.60
	4	OTZC14	1SCA022767R7040	0.80
OT315...400	3	OTZC23	1SCA022767R7120	0.60
	4	OTZC24	1SCA022767R7210	0.80
OT630...800	3	OTZC33	1SCA022785R7020	1.00
	4	OTZC34	1SCA022785R7110	1.30

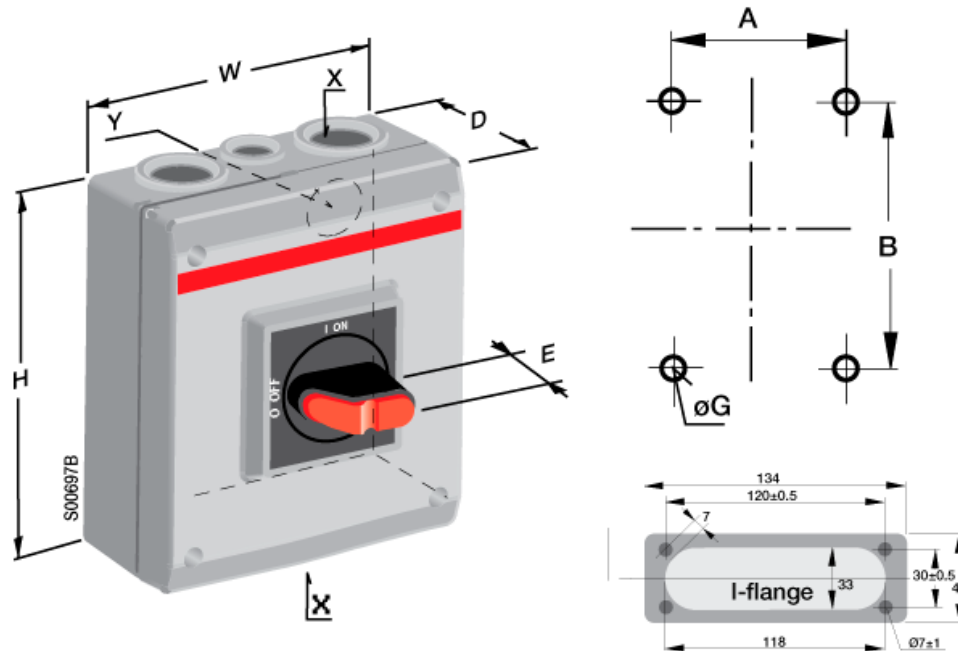
### Plastic enclosed switch-disconnectors



Type	Size				Cable entry X	Fixing dimensions	
	H	W	D	E		A	B
<b>3- and 4-pole</b>							
OTP16B3M	120	85	60	33	2xM20	105.5	70.5
OTP16B3M25	120	85	60	33	2xM25	105.5	70.5
OTP16B3P	120	85	60	33	2xPg16	105.5	70.5
OTP16B3U	120	85	60	33	-	105.5	70.5

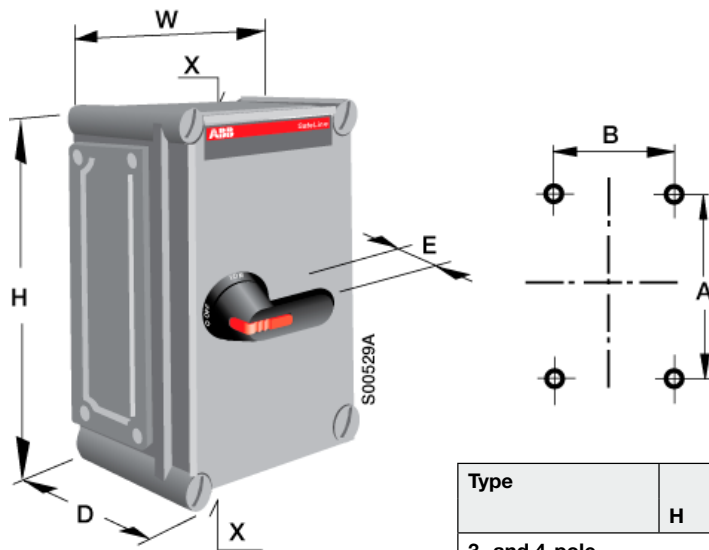


### Plastic enclosed switch-disconnectors



Type	Size				Cable entry		Fixing dimensions		
	E	W	H	D	X	Y	A	B	G
<b>3-pole</b>									
OTP 25...32_3M	33	130	150	60	2xM25+M16	2X $\varnothing 29+\varnothing 19$	115	136	5
OTP 25...32_3P	33	130	150	60	2XPg21+Pg11	2X $\varnothing 29+\varnothing 19$	115	136	5
OTP 45...63_3M	33	145	200	90	2xM32+M16	2X $\varnothing 38+\varnothing 19$	129.5	182.5	5
OTP 45...63_3P	33	145	200	90	2xPg29+Pg11	2X $\varnothing 38+\varnothing 19$	129.5	182.5	5
OTP80...125_3B	33	200	400	140	I-flange	Blank	176	376	6
OTP80...125_3U	33	200	400	140	Blank	Blank	176	376	6
OTP125_3M	33	200	400	140	2xM50+M16	Blank	176	376	6
<b>4-pole</b>									
OTP 16...32_4M	33	130	150	60	2xM25+M16	2X $\varnothing 29+\varnothing 19$	115	136	5
OTP 25...32_4P	33	130	150	60	2XPg21+Pg11	2X $\varnothing 29+\varnothing 19$	115	136	5
OTP 45...63_4M	33	145	200	90	2xM32+M16	2X $\varnothing 38+\varnothing 19$	129.5	182.5	5
OTP 45...63_4P	33	145	200	90	2xPg29+Pg11	2X $\varnothing 38+\varnothing 19$	129.5	182.5	5
OTP80...125_4B	33	200	400	140	I-flange	Blank	176	376	6
OTP80...125_4U	33	200	400	140	Blank	Blank	176	376	6
OTP125_4M	33	200	400	140	2xM50+M16	Blank	176	376	6
<b>6-pole</b>									
OTP 25...32_6M	33	130	150	60	2xM25+M16	2X $\varnothing 29+\varnothing 19$	115	136	5
OTP 25...32_6P	33	130	150	60	2XPg21+Pg11	2X $\varnothing 29+\varnothing 19$	115	136	5
OTP 45...63_6M	45	145	200	90	2xM32+M16	2X $\varnothing 38+\varnothing 19$	129.5	182.5	5
OTP 45...63_6P	45	145	200	90	2xPg29+Pg11	2X $\varnothing 38+\varnothing 19$	129.5	182.5	5
OTP80...125_6B	45	200	400	140	I-flange	Blank	176	376	6
OTP80...125_6U	45	200	400	140	Blank	Blank	176	376	6
OTP125_6M	45	200	400	140	2xM50+M16	Blank	176	376	6

### Plastic enclosed switch-disconnectors



Type	Size				Cable entry X	Fixing dimensions	
	H	W	D	E		A	B
<b>3- and 4-pole</b>							
OT160EFCC_B	380	280	130	45	II	355	255
OT200KFCC_B	560	280	180	45	II	535	255
OT250KFCC_B	560	280	180	45	II	535	255
OT315KFCC_B	560	380	180	45	II	535	355
OT400DFCC_B	840	380	180	45	II	815	355
OT630KFCC_B	840	380	180	45	II	815	355
OT800KFCC_B	760	560	250	45	2xII	735	535

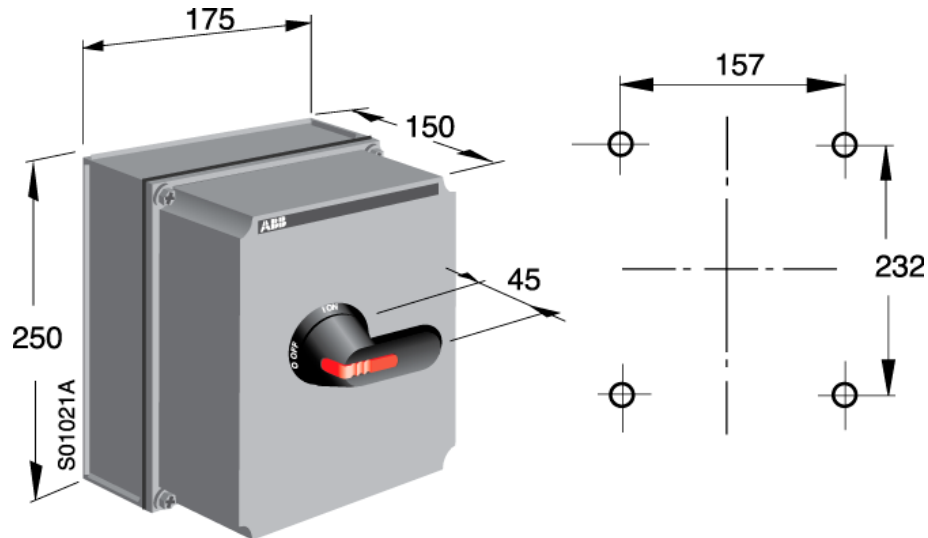
### Plastic enclosed switch fuses

Type	Size				Cable entry X	Fixing dimensions	
	H	W	D	E		A	B
<b>BS-type</b>							
OS32GA2FCC3B	190	280	180	45	II	165	255
OS32GA2FCC4B	190	280	180	45	II	165	255
OS63GA3FCC3B	190	280	180	45	II	165	255
OS63GA3FCC4B	190	280	180	45	II	165	255
OS100GA4FCC3B	380	280	180	45	II	355	255
OS100GA4FCC4B	380	280	180	45	II	355	255
OS200BB2FCC3B	560	380	280	45	II	535	355
OS200BB2FCC4B	560	380	280	45	II	535	355
OS315BB3FCC3B	760	560	250	45	2 x II	735	535
OS400BB3FCC3B	760	560	250	45	2 x II	735	535
<b>DIN-type</b>							
OS00-32A00FCC3B	190	280	180	45	II	165	255
OS00-32A00FCC4B	190	280	180	45	II	165	255
OS00-63A00FCC3B	190	280	180	45	II	165	255
OS00-63A00FCC4B	190	280	180	45	II	165	255
OS00A00FCC3B	380	280	180	45	II	355	255
OS00A00FCC4B	380	280	180	45	II	355	255
OS00-160A00FCC3B	560	380	180	45	II	535	355
OS00-160A00FCC4B	560	380	180	45	II	535	355
OS250D1FCC3B	560	380	280	45	II	535	355
OS250D1FCC4B	760	560	250	45	2 x II	735	535
OS400D2FCC3B	760	560	250	45	2 x II	735	535



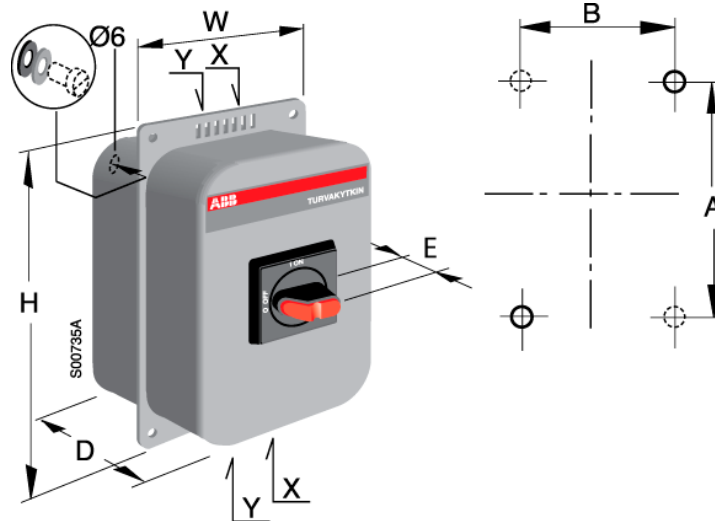
## Enclosed switches Ordering information

### Plastic enclosed switch fuses



Type
OS20PA1FUU3B
OS20PA1FUU4B
OS32PA1FUU3B
OS32PA1FUU4B

### Steel sheet enclosed switch-disconnectors

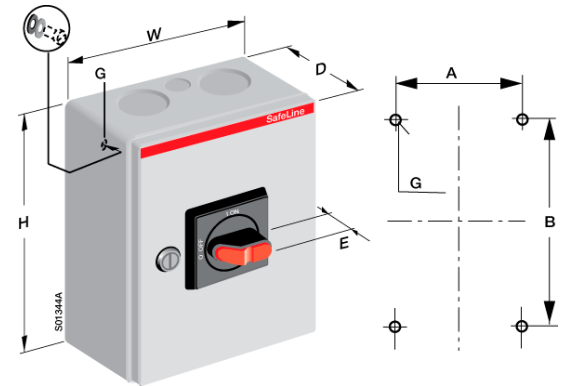
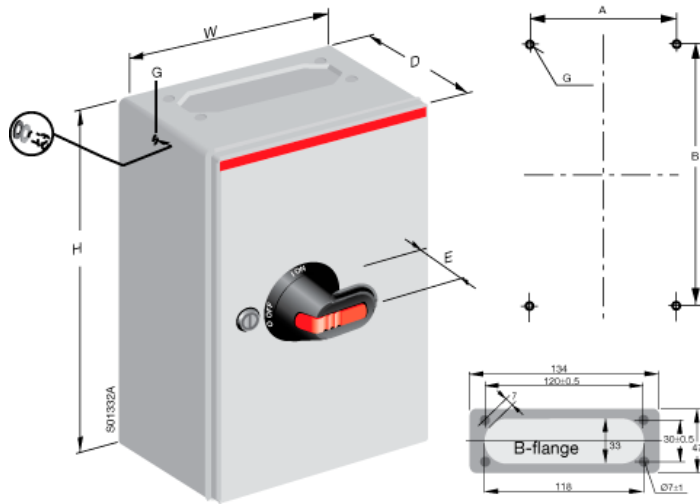


Type	Size				Cable entry	Fixing dimensions	
	H	W	D	E		X	A
<b>3- and 4-pole</b>							
OT16ELMM_B	240	162	110	34.5	2X $\phi$ 20+ $\phi$ 16	144	92
OT25ELMM_B	240	162	110	34.5	2X $\phi$ 25+ $\phi$ 16	144	92
OT32ELMM_B	240	162	110	34.5	2X $\phi$ 25+ $\phi$ 16	144	92
OT45ELMM_B	240	162	110	34.5	2X $\phi$ 32+ $\phi$ 16	144	92
OT63ELMM_B	240	162	110	34.5	2X $\phi$ 32+ $\phi$ 16	144	92
OT80ELBB_B	350	233	140	34.5	B-flange	250	160
OT125ELBB_B	350	233	140	34.5	B-flange	250	160
<b>6-pole</b>							
OT16ELMM6BZ	350	233	140	34.5	2X $\phi$ 25+ $\phi$ 16	250	160
OT25ELMM6BZ	350	233	140	34.5	2X $\phi$ 25+ $\phi$ 16	250	160
OT32ELMM6BZ	350	233	140	34.5	2X $\phi$ 25+ $\phi$ 16	250	160
OT45ELMM6BZ	350	233	140	34.5	2X $\phi$ 32+ $\phi$ 16	250	160
OT63ELMM6BZ	350	233	140	34.5	2X $\phi$ 32+ $\phi$ 16	250	160
<b>change-over</b>							
OT16ELMM3C	350	233	140	34.5	2X $\phi$ 25+ $\phi$ 16	250	160
OT25ELMM3C	350	233	140	34.5	2X $\phi$ 25+ $\phi$ 16	250	160
OT32ELMM3C	350	233	140	34.5	2X $\phi$ 25+ $\phi$ 16	250	160
OT45ELMM3C	350	233	140	34.5	2X $\phi$ 32+ $\phi$ 16	250	160
OT63ELMM3C	350	233	140	34.5	2X $\phi$ 32+ $\phi$ 16	250	160

### Steel sheet enclosed switch fuses

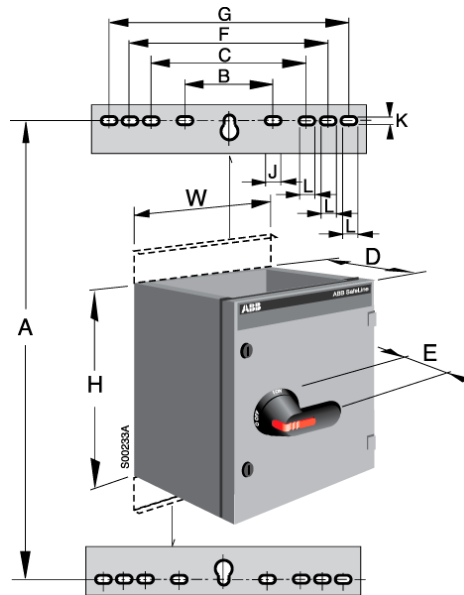
Type	Size				Cable entry	Fixing dimensions	
	H	W	D	E		X	A
OS20PA1LMM3B	350	233	140	45	2X $\phi$ 20+ $\phi$ 16	250	160
OS20PA1LMM4B	350	233	140	45	2X $\phi$ 20+ $\phi$ 16	250	160
OS32PA1LMM3B	350	233	140	45	2X $\phi$ 20+ $\phi$ 16	250	160
OS32PA1LMM4B	350	233	140	45	2X $\phi$ 20+ $\phi$ 16	250	160

## Steel sheet / stainless steel sheet enclosed switch-disconnectors



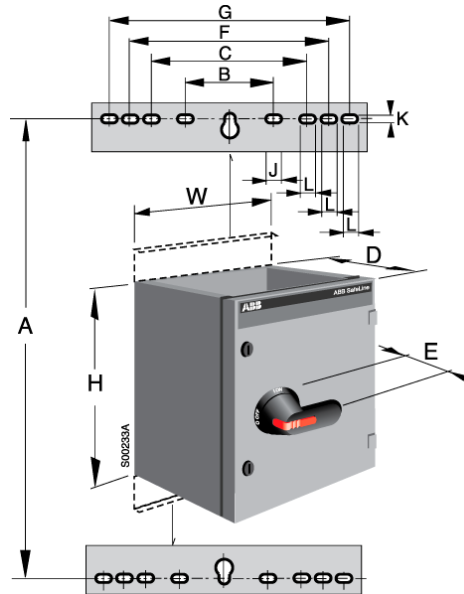
Type	Size				Cable entry		Fixing dimensions		
	E	W	H	D	X	Y	A	B	G
<b>3-pole</b>									
OT_16B_3M	33	150	200	100	2xø25,5+ø16,5	2xø25,5+ø16,5	80	130	6,6
OT_25B_3M	33	150	200	100	2xø25,5+ø16,5	2xø25,5+ø16,5	80	130	6,6
OT_32B_3M	33	150	200	100	2xø25,5+ø16,5	2xø25,5+ø16,5	80	130	6,6
OT_45B_3M	33	150	200	100	2xø32,5+ø16,5	2xø32,5+ø16,5	80	130	6,6
OT_63B_3M	33	150	200	100	2xø32,5+ø16,5	2xø32,5+ø16,5	80	130	6,6
OT_100B_3B	45	200	300	135	B-flange	B-flange	130	230	6,5
OT_100B_3U	45	200	300	135	Blank	Blank	130	230	6,5
OT_125B_3B	45	200	300	135	B-flange	B-flange	130	230	6,5
OT_125B_3U	45	200	300	135	Blank	Blank	130	230	6,5
<b>4-pole</b>									
OT_16B_4M	33	150	200	100	2xø25,5+ø16,5	2xø25,5+ø16,5	80	130	6,6
OT_25B_4M	33	150	200	100	2xø25,5+ø16,5	2xø25,5+ø16,5	80	130	6,6
OT_32B_4M	33	150	200	100	2xø25,5+ø16,5	2xø25,5+ø16,5	80	130	6,6
OT_45B_4M	33	150	200	100	2xø32,5+ø16,5	2xø32,5+ø16,5	80	130	6,6
OT_63B_4M	33	150	200	100	2xø32,5+ø16,5	2xø32,5+ø16,5	80	130	6,6
OT_100B_4B	45	200	300	135	B-flange	B-flange	130	230	6,5
OT_100B_4U	45	200	300	135	Blank	Blank	130	230	6,5
OT_125B_4B	45	200	300	135	B-flange	B-flange	130	230	6,5
OT_125B_4U	45	200	300	135	Blank	Blank	130	230	6,5
<b>6-pole</b>									
OT_16B_6M	33	150	200	100	2xø25,5+ø16,5	2xø25,5+ø16,5	80	130	6,6
OT_25B_6M	33	150	200	100	2xø25,5+ø16,5	2xø25,5+ø16,5	80	130	6,6
OT_32B_6M	33	150	200	100	2xø25,5+ø16,5	2xø25,5+ø16,5	80	130	6,6
OT_45B_6B	45	200	300	135	B-flange	B-flange	130	230	6,5
OT_45B_6U	45	200	300	135	Blank	Blank	130	230	6,5
OT_63B_6B	45	200	300	135	B-flange	B-flange	130	230	6,5
OT_63B_6U	45	200	300	135	Blank	Blank	130	230	6,5

### Steel sheet enclosed switch-disconnectors



Type	Size				Fixing dimensions					Fixing holes		
	H	W	D	E	A	B	C	F	G	J	K	L
<b>3- and 4-pole</b>												
OT125AL_	400	250	180	45	445	162	-	-	-	27	11	-
OT160EL_	600	250	180	45	445	162	-	-	-	27	11	-
OT200KL_	600	400	230	45	645	303	-	-	-	35	11	-
OT250KL_	600	400	230	45	645	303	-	-	-	35	11	-
OT315KL_	600	400	230	45	645	303	-	-	-	35	11	-
OT400DL_	800	400	230	45	845	303	-	-	-	35	11	-
OT630KL_	1000	400	230	45	1045	303	-	-	-	35	11	-
OT800KL_	1000	400	230	45	1045	303	-	-	-	35	11	-
OT1000KL_	1200	800	230	45	1045	303	512	612	712	35	11	27
OT1250KL_	1200	800	330	45	1045	303	512	612	712	35	11	27
OT1600KL_	1200	800	330	45	1045	303	512	612	712	35	11	27
<b>6-pole</b>												
OT125AL_	400	400	230	45	445	303	-	-	-	35	11	-
OT160EL_	400	400	230	45	445	303	-	-	-	35	11	-
OT200KL_	600	800	230	45	645	303	-	-	-	35	11	-
OT250KL_	800	800	230	45	845	303	-	-	-	35	11	-
OT315KL_	800	800	230	45	845	303	-	-	-	35	11	-
OT400DL_	800	800	230	45	845	303	-	-	-	35	11	-
OT630KL_	1000	800	230	45	1045	303	-	-	-	35	11	-
OT800KL_	1000	800	230	45	1045	303	-	-	-	35	11	-
<b>change-over</b>												
OT125DL_	400	250	180	45	445	162	-	-	-	27	11	-
OT160EL_	600	400	230	45	645	303	-	-	-	35	11	-
OT200KL_	600	400	230	45	645	303	-	-	-	35	11	-
OT250KL_	600	400	230	45	845	303	-	-	-	35	11	27
OT315KL_	800	400	230	45	845	303	-	-	-	35	11	27
OT400DL_	800	400	230	45	845	303	-	-	-	35	11	27
OT630KL_	1000	800	330	45	1045	303	512	612	712	35	11	27
OT800KL_	1000	800	330	45	1045	303	512	612	712	35	11	

### Steel sheet enclosed switch fuses



Type BS-type	Size				Fixing dimensions					Fixing holes		
	H	W	D	E	A	B	C	F	G	J	K	L
2-, 3-, and 4-pole												
OS20PA1LUU_	400	250	180	45	445	162	-	-	-	27	11	-
OS32PA1LUU_	400	250	180	45	445	162	-	-	-	27	11	-
OS32GA3LUU_	400	250	180	45	445	162	-	-	-	27	11	-
OS63GA3LUU_	400	250	180	45	445	162	-	-	-	27	11	-
OS100GA4LUU_	400	250	180	45	445	162	-	-	-	27	11	-
OS160BB2LUU_	600	400	230	45	645	303	-	-	-	35	11	-
OS200BB2LUU_	800	400	330	45	845	303	-	-	-	35	11	-
OS315BB3LUU_	800	400	330	45	845	303	-	-	-	35	11	-
OS400BB4LUU_	800	400	330	45	845	303	-	-	-	35	11	-
OS630BC2LUU2FZ	1000	400	330	45	1045	303	-	-	-	35	11	-
OS630BC2LUU3FZ	1000	400	330	45	1045	303	-	-	-	35	11	-
OS630BC2LUU4FZ	1000	800	330	45	1045	303	512	612	712	35	11	27
OS800BC2LUU2FZ	1000	400	330	45	1045	303	-	-	-	35	11	-
OS800BC2LUU3FZ	1000	800	330	45	1045	303	512	612	712	35	11	27
OS800BC2LUU4FZ	1000	800	330	45	1045	303	512	612	712	35	11	27

Type DIN-type	Size				Fixing dimensions					Fixing holes		
	H	W	D	E	A	B	C	F	G	J	K	L
3- and 4-pole												
OS00-32A00LAA_	400	250	180	45	445	162	-	-	-	27	11	-
OS00-63A00LAA_	400	250	180	45	445	162	-	-	-	27	11	-
OS00A00LAA_	400	250	180	45	445	162	-	-	-	27	11	-
OS00-160A00LAA_	600	400	230	45	645	303	-	-	-	35	11	-
OS250DILAA_	800	400	330	45	845	303	-	-	-	35	11	-
OS400D2LAA_	800	400	330	45	845	303	-	-	-	35	11	-
OS630D3LAA3B_	1000	400	330	45	1045	303	-	-	-	35	11	-
OS630D3LAA4B_	1000	800	330	45	1045	303	512	612	712	35	11	27
OS800D3LAA_	1000	800	330	45	1045	303	512	612	712	35	11	27



# Index

Type	Order number	Page	Description
BVPB11	1SCA022749R6330	38	Enclosure accessories
EADR16	1SCA022749R6410	38	Enclosure accessories
EADR20	1SCA022749R6500	38	Enclosure accessories
EADR25	1SCA022749R6680	38	Enclosure accessories
EADR32	1SCA101165R1001	38	Enclosure accessories
EMMU12	1SCA022722R1910	38	Enclosure accessories
EMMU16	1SCA022722R2040	38	Enclosure accessories
EMMU20	1SCA022722R2120	38	Enclosure accessories
EMMU25	1SCA022722R2210	38	Enclosure accessories
EMMU32	1SCA022722R2390	38	Enclosure accessories
EMMU40	1SCA022722R2470	38	Enclosure accessories
EMMU50	1SCA022722R2550	38	Enclosure accessories
EMMU63	1SCA022722R2630	38	Enclosure accessories
EMSKV12/5	1SCA022722R2710	38	Enclosure accessories
EMSKV16/5	1SCA022722R2800	38	Enclosure accessories
EMSKV20/6	1SCA022722R2980	38	Enclosure accessories
EMSKV25/7	1SCA022722R3010	38	Enclosure accessories
EMSKV32/8	1SCA022722R3100	38	Enclosure accessories
EMSKV40/8	1SCA022722R3280	38	Enclosure accessories
EMSKV50/9	1SCA022722R3360	38	Enclosure accessories
EMSKV63/10	1SCA022722R3440	38	Enclosure accessories
EMUG12	1SCA022715R8280	38	Enclosure accessories
EMUG16	1SCA022715R8360	38	Enclosure accessories
EMUG20	1SCA022715R8440	38	Enclosure accessories
EMUG25	1SCA022715R8520	38	Enclosure accessories
EMUG32	1SCA022715R8610	38	Enclosure accessories
EMUG40	1SCA022715R8790	38	Enclosure accessories
EMUG50	1SCA022715R8870	38	Enclosure accessories
EMUG63	1SCA022715R8950	38	Enclosure accessories
EPN650M25/M32	1SCA101159R1001	38	Enclosure accessories
EPN650M32/M40	1SCA101160R1001	38	Enclosure accessories
ESKV12	1SCA022715R5850	38	Enclosure accessories
ESKV16	1SCA022715R5930	38	Enclosure accessories
ESKV20	1SCA022715R6070	38	Enclosure accessories
ESKV25	1SCA022715R6150	38	Enclosure accessories
ESKV32	1SCA022715R6230	38	Enclosure accessories
ESKV40	1SCA022715R6310	38	Enclosure accessories
ESKV50	1SCA022715R6400	38	Enclosure accessories
ESKV63	1SCA022715R6580	38	Enclosure accessories
KIG-1	1SEH650052R6711	36	Enclosure accessories
KIG-2	1SEH650052R6712	36	Enclosure accessories
KIG-221-1	1SEH650052R6713	36	Enclosure accessories
KIG-221-2	1SEH650052R6714	36	Enclosure accessories
KIM13-1	1SEH655267R2050	36	Enclosure accessories
KIM13-2	1SEH655267R2060	36	Enclosure accessories
KRM16/12	1SCA022749R6090	38	Enclosure accessories
KRM20/12	1SCA022749R6170	38	Enclosure accessories
KRM25/12	1SCA022749R6980	38	Enclosure accessories
LBFEU	1SCA022713R6040	36	Enclosure accessories
LBSI2ALM20	1SCA022713R6210	36	Enclosure accessories
LBSI2ALM32+ 1ALM25	1SCA022722R3520	36	Enclosure accessories
LBSI2ALM40	1SCA022713R6630	36	Enclosure accessories
LBSI3ALM25+ 1TM25	1SCA022722R3610	36	Enclosure accessories
LBSI3ALM32	1SCA022713R6550	36	Enclosure accessories
LBSI4ALM25	1SCA022713R6390	36	Enclosure accessories
LBSIU	1SCA022713R6120	36	Enclosure accessories
OA1G01	1SCA022353R4890	34	Accessories
OA1G10	1SCA022353R4970	34	Accessories
OA1G10	1SCA022353R4970	34	Accessories
OA3G01	1SCA022456R7410	34	Accessories
OBEA01	1SCA022190R3260	34	Accessories
OBEA01AU	1SCA022185R3730	34	Accessories
OBEA10	1SCA022190R3000	34	Accessories
OBEA10AU	1SCA022185R3310	34	Accessories
OEZXB11L	1SCA022560R4920	37	Enclosure accessories
OEZXB12L	1SCA022560R5140	37	Enclosure accessories
OEZXC 0	1SCA022277R6420	36	Enclosure accessories
OEZXC11L	1SCA022560R5570	37	Enclosure accessories
OEZXC12L	1SCA022560R5730	37	Enclosure accessories
OEZXC1R	1SCA022281R3560	36	Enclosure accessories

Type	Order number	Page	Description
OEZXC2R	1SCA022281R3720	36	Enclosure accessories
OEZXP1201)	1SCA022277R2350	35	Accessories
OEZXP120C 1)	1SCA022338R5360	35	Accessories
OEZXP240	1SCA022277R2780	35	Accessories
OEZXP240C	1SCA022338R5520	35	Accessories
OEZXP24R	1SCA022277R3160	35	Accessories
OEZXP280	1SCA022277R3910	35	Accessories
OEZXP280C	1SCA022338R5950	35	Accessories
OEZXP28R	1SCA022277R4560	35	Accessories
OEZXP340	1SCA022277R3320	35	Accessories
OEZXP340C	1SCA022338R5790	35	Accessories
OEZXP34R	1SCA022277R3750	35	Accessories
OEZXP380	1SCA022277R4720	35	Accessories
OEZXP380C	1SCA022338R6170	35	Accessories
OEZXP38R	1SCA022277R5020	35	Accessories
OEZXR020	1SCA022656R8130	35	Accessories
OEZXR023	1SCA022277R5290	35	Accessories
OEZXR025	1SCA022656R8120	35	Accessories
OEZXR037	1SCA022277R5450	35	Accessories
OEZXR040	1SCA022656R8300	35	Accessories
OEZXR134	1SCA022277R5610	35	Accessories
OEZXR143	1SCA022277R5880	35	Accessories
OEZXR150	1SCA022277R6000	35	Accessories
OEZXR158	1SCA022277R6260	35	Accessories
OEZXX143R	1SCA022350R3820	35	Accessories
OEZXX158R	1SCA022350R3910	35	Accessories
OEZXX2	1SCA022281R5340	35	Accessories
OS00-160A00FCC3B	1SCA022315R2690	31	Enclosed switches
OS00-160A00FCC4B	1SCA022315R2850	31	Enclosed switches
OS00-160A00LAA3B	1SCA022325R3530	32	Enclosed switches
OS00-160A00LAA3BZ	1SCA022325R3700	32	Enclosed switches
OS00-160A00LAA4B	1SCA022320R6450	32	Enclosed switches
OS00-160A00LAA4BZ	1SCA022320R6610	32	Enclosed switches
OS00-32A00FCC3B	1SCA022315R1450	31	Enclosed switches
OS00-32A00FCC4B	1SCA022315R1880	31	Enclosed switches
OS00-32A00LAA3B	1SCA022325R2560	32	Enclosed switches
OS00-32A00LAA3BZ	1SCA022325R2720	32	Enclosed switches
OS00-32A00LAA4B	1SCA022325R5310	32	Enclosed switches
OS00-32A00LAA4BZ	1SCA022325R5740	32	Enclosed switches
OS00-63A00FCC3B	1SCA022315R1610	31	Enclosed switches
OS00-63A00FCC4B	1SCA022315R2000	31	Enclosed switches
OS00-63A00LAA3B	1SCA022292R9600	32	Enclosed switches
OS00-63A00LAA3BZ	1SCA022325R2990	32	Enclosed switches
OS00-63A00LAA4B	1SCA022325R5910	32	Enclosed switches
OS00-63A00LAA4BZ	1SCA022320R5810	32	Enclosed switches
OS00A00FCC3B	1SCA022315R2260	31	Enclosed switches
OS00A00FCC4B	1SCA022315R2420	31	Enclosed switches
OS00A00LAA3B	1SCA022325R3110	32	Enclosed switches
OS00A00LAA3BZ	1SCA022325R3370	32	Enclosed switches
OS00A00LAA4B	1SCA022320R6020	32	Enclosed switches
OS00A00LAA4BZ	1SCA022320R6290	32	Enclosed switches
OS100GA4FCC3B	1SCA022280R8560	29	Enclosed switches
OS100GA4FCC4B	1SCA022280R7910	29	Enclosed switches
OS100GA4LUU2FZ	1SCA022320R7930	31	Enclosed switches
OS100GA4LUU3FZ	1SCA022320R9210	30	Enclosed switches
OS100GA4LUU4FZ	1SCA022320R6110	30	Enclosed switches
OS160BB2LUU2FZ	1SCA022320R8150	31	Enclosed switches
OS160BB2LUU3FZ	1SCA022320R9470	30	Enclosed switches
OS160BB2LUU4FZ	1SCA022320R6370	30	Enclosed switches
OS200BB2FCC3B	1SCA022280R9110	29	Enclosed switches
OS200BB2FCC4B	1SCA022280R9700	29	Enclosed switches
OS200BB2LUU2FZ	1SCA022320R8310	31	Enclosed switches
OS200BB2LUU3FZ	1SCA022320R9630	30	Enclosed switches
OS200BB2LUU4FZ	1SCA022320R6530	30	Enclosed switches
OS20PA1FUU3B	1SCA022280R9290	29	Enclosed switches
OS20PA1FUU4B	1SCA022280R9880	29	Enclosed switches
OS20PA1LMM3B	1SCA022281R1510	30	Enclosed switches
OS20PA1LMM4B	1SCA022281R2080	30	Enclosed switches
OS20PA1LUU3FZ	1SCA022320R8400	30	Enclosed switches
OS20PA1LUU4FZ	1SCA022321R0640	30	Enclosed switches



Type	Order number	Page	Description	Type	Order number	Page	Description
OS250D1FCC3B	1SCA022315R3070	31	Enclosed switches	OT125ELBB4B	1SCA022467R8910	17	Enclosed switches
OS250D1FCC4B	1SCA022315R3230	31	Enclosed switches	OT125ELBB4BZ	1SCA022468R0140	14	Enclosed switches
OS250D1LAA3B	1SCA022325R3960	32	Enclosed switches	OT1600KLA3B	1SCA022437R8520	16	Enclosed switches
OS250D1LAA3BZ	1SCA022325R4180	32	Enclosed switches	OT1600KLA3BZ	1SCA022569R4570	13	Enclosed switches
OS250D1LAA4B	1SCA022320R6880	32	Enclosed switches	OT1600KLA4B	1SCA022437R9920	17	Enclosed switches
OS250D1LAA4BZ	1SCA022320R7000	32	Enclosed switches	OT1600KLA4BZ	1SCA022569R4650	14	Enclosed switches
OS315BB3FCC3B	1SCA022281R0380	29	Enclosed switches	OT1600KL3BZ	1SCA022750R1940	13	Enclosed switches
OS315BB3L3UU2FZ	1SCA022320R8580	31	Enclosed switches	OT160EFCC3B	1SCA022278R7030	10	Enclosed switches
OS315BB3L3UU3FZ	1SCA022320R9800	30	Enclosed switches	OT160EFCC3BA	1SCA022833R6510	21	Enclosed switches
OS315BB3L3UU4FZ	1SCA022320R6700	30	Enclosed switches	OT160EFCC4B	1SCA022548R6620	11	Enclosed switches
OS32GA3FCC3B	1SCA022281R1600	29	Enclosed switches	OT160EFCC4BA	1SCA022833R6690	22	Enclosed switches
OS32GA3FCC4B	1SCA022280R6190	29	Enclosed switches	OT160ELAA3B	1SCA022280R3410	16	Enclosed switches
OS32GA3L3UU2FZ	1SCA022320R7510	31	Enclosed switches	OT160ELAA3BZ	1SCA022302R7100	13	Enclosed switches
OS32GA3L3UU3FZ	1SCA022320R8820	30	Enclosed switches	OT160ELAA3C	1SCA022280R2100	18	Enclosed switches
OS32GA3L3UU4FZ	1SCA022321R1020	30	Enclosed switches	OT160ELAA4B	1SCA022340R9720	17	Enclosed switches
OS32PA1FUU3B	1SCA022281R0460	29	Enclosed switches	OT160ELAA4BZ	1SCA022342R5090	14	Enclosed switches
OS32PA1FUU4B	1SCA022281R1010	29	Enclosed switches	OT160ELAA4C	1SCA022474R9100	19	Enclosed switches
OS32PA1LMM3B	1SCA022281R2670	30	Enclosed switches	OT160ELAA6BZ	1SCA022468R7400	15	Enclosed switches
OS32PA1LMM4B	1SCA022321R3210	30	Enclosed switches	OT160ELUU3BZ	1SCA022479R5120	13	Enclosed switches
OS32PA1L3UU3FZ	1SCA022320R8660	30	Enclosed switches	OT160ELUU4BZ	1SCA022833R6850	14	Enclosed switches
OS32PA1L3UU4FZ	1SCA022321R0810	30	Enclosed switches	OT160ELUU6BZ	1SCA022833R7070	15	Enclosed switches
OS400BB4FCC3B	1SCA022302R6630	29	Enclosed switches	OT16ELMM3B	1SCA022461R7960	16	Enclosed switches
OS400BB4L3UU2FZ	1SCA022320R8740	31	Enclosed switches	OT16ELMM3BZ	1SCA022461R9150	13	Enclosed switches
OS400BB4L3UU3FZ	1SCA022321R0050	30	Enclosed switches	OT16ELMM3C	1SCA022473R1070	18	Enclosed switches
OS400BB4L3UU4FZ	1SCA022320R6960	30	Enclosed switches	OT16ELMM4B	1SCA022467R7940	17	Enclosed switches
OS400D2FCC3B	1SCA022315R3400	31	Enclosed switches	OT16ELMM4BZ	1SCA022467R9050	14	Enclosed switches
OS400D2FCC4B	1SCA022628R6070	31	Enclosed switches	OT16ELMM6BZ	1SCA022589R9620	15	Enclosed switches
OS400D2LAA3B	1SCA022292R9860	32	Enclosed switches	OT16ELPP3C	1SCA022473R1310	18	Enclosed switches
OS400D2LAA3BZ	1SCA022325R4340	32	Enclosed switches	OT200KFCC3B	1SCA022278R1510	10	Enclosed switches
OS400D2LAA4B	1SCA022320R7260	32	Enclosed switches	OT200KFCC3BA	1SCA022833R9950	21	Enclosed switches
OS400D2LAA4BZ	1SCA022320R7420	32	Enclosed switches	OT200KFCC4B	1SCA022530R4450	11	Enclosed switches
OS630BC2L3UU2FZ	1SCA022320R8910	31	Enclosed switches	OT200KFCC4BA	1SCA022834R0530	22	Enclosed switches
OS630BC2L3UU3FZ	1SCA022321R0210	30	Enclosed switches	OT200KLA3B	1SCA022280R4060	16	Enclosed switches
OS630BC2L3UU4FZ	1SCA022320R7180	30	Enclosed switches	OT200KLA3BZ	1SCA022302R7520	13	Enclosed switches
OS630D3LAA3B	1SCA022325R4510	32	Enclosed switches	OT200KLA4B	1SCA022280R2360	18	Enclosed switches
OS630D3LAA3BZ	1SCA022325R4770	32	Enclosed switches	OT200KLA4BZ	1SCA022341R0140	17	Enclosed switches
OS630D3LAA4B	1SCA022320R7690	32	Enclosed switches	OT200KLA4BZ	1SCA022342R5410	14	Enclosed switches
OS630D3LAA4BZ	1SCA022320R7850	32	Enclosed switches	OT200KLA4C	1SCA022474R6930	19	Enclosed switches
OS63GA3FCC3B	1SCA022280R6780	29	Enclosed switches	OT200KLA6BZ	1SCA022717R9520	15	Enclosed switches
OS63GA3FCC4B	1SCA022280R7320	29	Enclosed switches	OT200KL3BZ	1SCA022602R0630	13	Enclosed switches
OS63GA3L3UU2FZ	1SCA022320R7770	31	Enclosed switches	OT200KL3UU4BZ	1SCA022800R5740	14	Enclosed switches
OS63GA3L3UU3FZ	1SCA022320R9040	30	Enclosed switches	OT200KL3UU6BZ	1SCA022802R4610	15	Enclosed switches
OS63GA3L3UU4FZ	1SCA022320R5990	30	Enclosed switches	OT250KFCC3B	1SCA022278R2150	10	Enclosed switches
OS800BC3L3UU2FZ	1SCA022320R9120	31	Enclosed switches	OT250KFCC3BA	1SCA022834R0020	21	Enclosed switches
OS800BC3L3UU3FZ	1SCA022321R0480	30	Enclosed switches	OT250KFCC4B	1SCA022530R4530	11	Enclosed switches
OS800BC3L3UU4FZ	1SCA022320R7340	30	Enclosed switches	OT250KFCC4BA	1SCA022834R0610	22	Enclosed switches
OS800D3LAA3B	1SCA022325R4930	32	Enclosed switches	OT250KLA3B	1SCA022280R4650	16	Enclosed switches
OS800D3LAA3BZ	1SCA022325R5150	32	Enclosed switches	OT250KLA3BZ	1SCA022302R7950	13	Enclosed switches
OS800D3LAA4B	1SCA022320R8070	32	Enclosed switches	OT250KLA4B	1SCA022280R2520	18	Enclosed switches
OS800D3LAA4BZ	1SCA022320R8230	32	Enclosed switches	OT250KLA4BZ	1SCA022341R0570	17	Enclosed switches
OT1000KLA3B	1SCA022370R3830	16	Enclosed switches	OT250KLA4BZ	1SCA022342R5840	14	Enclosed switches
OT1000KLA3BZ	1SCA022569R2870	13	Enclosed switches	OT250KLA4C	1SCA022474R7070	19	Enclosed switches
OT1000KLA4B	1SCA022437R9760	17	Enclosed switches	OT250KLA6BZ	1SCA022802R5770	15	Enclosed switches
OT1000KLA4BZ	1SCA022569R4220	14	Enclosed switches	OT250KL3UU3BZ	1SCA022602R0710	13	Enclosed switches
OT1000KL3UU3BZ	1SCA022750R1780	13	Enclosed switches	OT250KL3UU4BZ	1SCA022800R7360	14	Enclosed switches
OT1250KLA3B	1SCA022350R0640	16	Enclosed switches	OT250KL3UU6BZ	1SCA022802R4530	15	Enclosed switches
OT1250KLA3BZ	1SCA022569R4310	13	Enclosed switches	OT25ELMM3B	1SCA022461R8180	16	Enclosed switches
OT1250KLA4B	1SCA022437R9480	17	Enclosed switches	OT25ELMM3BZ	1SCA022461R9310	13	Enclosed switches
OT1250KLA4BZ	1SCA022569R4490	14	Enclosed switches	OT25ELMM3C	1SCA022473R1580	18	Enclosed switches
OT1250KL3UU3BZ	1SCA022750R1860	13	Enclosed switches	OT25ELMM4B	1SCA022467R8160	17	Enclosed switches
OT125ALAA3B	1SCA022302R5910	16	Enclosed switches	OT25ELMM4BZ	1SCA022467R9210	14	Enclosed switches
OT125ALAA3BZ	1SCA022302R6710	13	Enclosed switches	OT25ELMM6BZ	1SCA022591R5330	15	Enclosed switches
OT125ALAA4B	1SCA022340R9560	17	Enclosed switches	OT25ELPP3C	1SCA022473R1740	18	Enclosed switches
OT125ALAA4BZ	1SCA022342R4870	14	Enclosed switches	OT315KFCC3B	1SCA022278R2740	10	Enclosed switches
OT125ALAA6BZ	1SCA022689R5090	15	Enclosed switches	OT315KFCC3BA	1SCA022834R0110	21	Enclosed switches
OT125AL3UU3BZ	1SCA022750R1430	13	Enclosed switches	OT315KFCC4B	1SCA022548R6710	11	Enclosed switches
OT125AL3UU4BZ	1SCA022833R6770	14	Enclosed switches	OT315KFCC4BA	1SCA022834R0700	22	Enclosed switches
OT125AL3UU6BZ	1SCA022833R6930	15	Enclosed switches	OT315KLA3B	1SCA022280R5200	16	Enclosed switches
OT125ELBB3B	1SCA022461R9070	16	Enclosed switches	OT315KLA3BZ	1SCA022302R8330	13	Enclosed switches
OT125ELBB3BZ	1SCA022462R0240	13	Enclosed switches	OT315KLA4BZ	1SCA022280R2790	18	Enclosed switches



# Index

Type	Order number	Page	Description
OT315KLA4B	1SCA022341R0900	17	Enclosed switches
OT315KLA4BZ	1SCA022342R6220	14	Enclosed switches
OT315KLA4C	1SCA022474R7150	19	Enclosed switches
OT315KLA6BZ	1SCA022804R1110	15	Enclosed switches
OT315KLUU3BZ	1SCA022572R6010	13	Enclosed switches
OT315KLUU4BZ	1SCA022801R0070	14	Enclosed switches
OT315KLUU6BZ	1SCA022804R0900	15	Enclosed switches
OT32ELMM3B	1SCA022461R8340	16	Enclosed switches
OT32ELMM3BZ	1SCA022461R9580	13	Enclosed switches
OT32ELMM3C	1SCA022473R1910	18	Enclosed switches
OT32ELMM4B	1SCA022467R8320	17	Enclosed switches
OT32ELMM4BZ	1SCA022467R9480	14	Enclosed switches
OT32ELMM6BZ	1SCA022589R8810	15	Enclosed switches
OT32ELPP3C	1SCA022473R2120	18	Enclosed switches
OT400DFCC3B	1SCA022278R3390	10	Enclosed switches
OT400DFCC3BA	1SCA022834R0290	21	Enclosed switches
OT400DFCC4B	1SCA022609R5480	11	Enclosed switches
OT400DFCC4BA	1SCA022834R0880	22	Enclosed switches
OT400DLAA3B	1SCA022279R9710	16	Enclosed switches
OT400DLAA3BZ	1SCA022302R8760	13	Enclosed switches
OT400DLAA3C	1SCA022280R2950	18	Enclosed switches
OT400DLAA4B	1SCA022341R1380	17	Enclosed switches
OT400DLAA4BZ	1SCA022342R6650	14	Enclosed switches
OT400DLAA4C	1SCA022292R6680	19	Enclosed switches
OT400DLAA6BZ	1SCA022804R1200	15	Enclosed switches
OT400DLUU3BZ	1SCA022602R0800	13	Enclosed switches
OT400DLUU4BZ	1SCA022801R0660	14	Enclosed switches
OT400DLUU6BZ	1SCA022804R1030	15	Enclosed switches
OT45ELMM3B	1SCA022461R8510	16	Enclosed switches
OT45ELMM3BZ	1SCA022461R9740	13	Enclosed switches
OT45ELMM3C	1SCA022473R2390	18	Enclosed switches
OT45ELMM4B	1SCA022467R8590	17	Enclosed switches
OT45ELMM4BZ	1SCA022467R9640	14	Enclosed switches
OT45ELMM6BZ	1SCA022468R1380	15	Enclosed switches
OT45ELPP3C	1SCA022473R2550	18	Enclosed switches
OT630KFCC3B	1SCA022278R3980	10	Enclosed switches
OT630KFCC3BA	1SCA022834R0370	21	Enclosed switches
OT630KFCC4B	1SCA022584R5700	11	Enclosed switches
OT630KFCC4BA	1SCA022834R1000	22	Enclosed switches
OT630KLA3B	1SCA022280R0310	16	Enclosed switches
OT630KLA3BZ	1SCA022302R9140	13	Enclosed switches
OT630KLA3C	1SCA022280R3170	18	Enclosed switches
OT630KLA4B	1SCA022341R1710	17	Enclosed switches
OT630KLA4BZ	1SCA022342R7030	14	Enclosed switches
OT630KLA4C	1SCA022475R1180	19	Enclosed switches
OT630KLA6BZ	1SCA022834R1420	15	Enclosed switches
OT630KLUU3BZ	1SCA022750R1510	13	Enclosed switches
OT630KLUU4BZ	1SCA022830R4490	14	Enclosed switches
OT630KLUU6BZ	1SCA022834R1260	15	Enclosed switches
OT63ELMM3B	1SCA022461R8770	16	Enclosed switches
OT63ELMM3BZ	1SCA022461R9910	13	Enclosed switches
OT63ELMM3C	1SCA022473R2710	18	Enclosed switches
OT63ELMM4B	1SCA022467R7430	17	Enclosed switches
OT63ELMM4BZ	1SCA022467R9810	14	Enclosed switches
OT63ELMM6BZ	1SCA022468R1460	15	Enclosed switches
OT63ELPP3C	1SCA022473R2980	18	Enclosed switches
OT800KFCC3B	1SCA022303R0310	10	Enclosed switches
OT800KFCC3BA	1SCA022834R0450	21	Enclosed switches
OT800KFCC4B	1SCA022609R5560	11	Enclosed switches
OT800KFCC4BA	1SCA022834R1180	22	Enclosed switches
OT800KLA3B	1SCA022280R0910	16	Enclosed switches
OT800KLA3BZ	1SCA022302R9570	13	Enclosed switches
OT800KLA3C	1SCA022389R8310	18	Enclosed switches
OT800KLA4B	1SCA022337R4830	17	Enclosed switches
OT800KLA4BZ	1SCA022342R7460	14	Enclosed switches
OT800KLA4C	1SCA022580R4340	19	Enclosed switches
OT800KLA6BZ	1SCA022834R1340	15	Enclosed switches
OT800KLUU3BZ	1SCA022750R1600	13	Enclosed switches
OT800KLUU4BZ	1SCA022830R4570	14	Enclosed switches
OT800KLUU6BZ	1SCA022834R1690	15	Enclosed switches

Type	Order number	Page	Description
OTL100B3B	1SCA022562R8350	13	Enclosed switches
OTL100B3U	1SCA022562R8430	13	Enclosed switches
OTL100B4B	1SCA022562R8510	14	Enclosed switches
OTL100B4U	1SCA022562R8600	14	Enclosed switches
OTL100BA3B	1SCA022562R8940	25	Enclosed switches
OTL100BA3U	1SCA022562R9080	25	Enclosed switches
OTL100BA4B	1SCA022562R9160	26	Enclosed switches
OTL100BA4U	1SCA022562R9240	26	Enclosed switches
OTL125B3B	1SCA022562R9590	13	Enclosed switches
OTL125B3U	1SCA022562R9670	13	Enclosed switches
OTL125B4B	1SCA022562R9830	14	Enclosed switches
OTL125B4U	1SCA022562R9910	14	Enclosed switches
OTL125BA3B	1SCA022563R0250	25	Enclosed switches
OTL125BA3U	1SCA022563R0330	25	Enclosed switches
OTL125BA4B	1SCA022563R0410	26	Enclosed switches
OTL125BA4U	1SCA022563R0500	26	Enclosed switches
OTL16B3M	1SCA022562R1260	13	Enclosed switches
OTL16B4M	1SCA022562R4120	14	Enclosed switches
OTL16B6M	1SCA022562R1690	15	Enclosed switches
OTL16BA3M	1SCA022562R1850	25	Enclosed switches
OTL16BA4M	1SCA022562R2070	26	Enclosed switches
OTL16BA6M	1SCA022562R2230	27	Enclosed switches
OTL25B3M	1SCA022562R2400	13	Enclosed switches
OTL25B4M	1SCA022562R2660	14	Enclosed switches
OTL25B6M	1SCA022562R2820	15	Enclosed switches
OTL25BA3M	1SCA022562R3040	25	Enclosed switches
OTL25BA4M	1SCA022562R3210	26	Enclosed switches
OTL25BA6M	1SCA022562R3470	27	Enclosed switches
OTL32B3M	1SCA022562R3630	13	Enclosed switches
OTL32B4M	1SCA022562R3800	14	Enclosed switches
OTL32B6M	1SCA022562R4010	15	Enclosed switches
OTL32BA3M	1SCA022562R4100	25	Enclosed switches
OTL32BA4M	1SCA022562R4360	26	Enclosed switches
OTL32BA6M	1SCA022562R4520	27	Enclosed switches
OTL45B3M	1SCA022562R4790	13	Enclosed switches
OTL45B4M	1SCA022562R4950	14	Enclosed switches
OTL45B6B	1SCA022610R4730	15	Enclosed switches
OTL45B6U	1SCA022610R4810	15	Enclosed switches
OTL45BA3M	1SCA022562R5330	25	Enclosed switches
OTL45BA4M	1SCA022562R5500	26	Enclosed switches
OTL45BA6B	1SCA022610R5110	27	Enclosed switches
OTL45BA6U	1SCA022610R5200	27	Enclosed switches
OTL63B3M	1SCA022562R5920	13	Enclosed switches
OTL63B4M	1SCA022562R6140	14	Enclosed switches
OTL63B6B	1SCA022610R4900	15	Enclosed switches
OTL63B6U	1SCA022610R5030	15	Enclosed switches
OTL63BA3M	1SCA022562R6570	25	Enclosed switches
OTL63BA4M	1SCA022562R6730	26	Enclosed switches
OTL63BA6B	1SCA022610R5380	27	Enclosed switches
OTL63BA6U	1SCA022610R5460	27	Enclosed switches
OTP125B3B	1SCA022383R3700	10	Enclosed switches
OTP125B3M	1SCA022812R7180	10	Enclosed switches
OTP125B3U	1SCA022401R3270	10	Enclosed switches
OTP125B4B	1SCA022401R5210	11	Enclosed switches
OTP125B4M	1SCA022812R7260	11	Enclosed switches
OTP125B4U	1SCA022401R5300	11	Enclosed switches
OTP125B6B	1SCA022401R6610	12	Enclosed switches
OTP125B6M	1SCA022812R7340	12	Enclosed switches
OTP125B6U	1SCA022401R6700	12	Enclosed switches
OTP125BA3B	1SCA022389R7420	21	Enclosed switches
OTP125BA3M	1SCA022812R7420	21	Enclosed switches
OTP125BA3U	1SCA022401R3940	21	Enclosed switches
OTP125BA4B	1SCA022571R8510	22	Enclosed switches
OTP125BA4M	1SCA022812R7510	22	Enclosed switches
OTP125BA4U	1SCA022459R7160	22	Enclosed switches
OTP125BA6B	1SCA022401R7510	23	Enclosed switches
OTP125BA6M	1SCA022812R7690	23	Enclosed switches
OTP125BA6U	1SCA022401R7690	23	Enclosed switches
OTP16B3M	1SCA022383R2130	10	Enclosed switches
OTP16B3M25	1SCA022699R2880	10	Enclosed switches



# Index

Type	Order number	Page	Description	Type	Order number	Page	Description
OTP16B3P	1SCA022383R0940	10	Enclosed switches	OTR100B3U	1SCA022568R0600	20	Enclosed switches
OTP16B4M	1SCA022401R4160	11	Enclosed switches	OTR100B4B	1SCA022568R2130	20	Enclosed switches
OTP16B4P	1SCA0224119R8620	11	Enclosed switches	OTR100B4U	1SCA022568R2210	20	Enclosed switches
OTP16B6M	1SCA022401R5560	12	Enclosed switches	OTR100BA3B	1SCA022569R7320	28	Enclosed switches
OTP16B6P	1SCA022401R5480	12	Enclosed switches	OTR100BA3U	1SCA022569R7590	28	Enclosed switches
OTP16BA3M	1SCA022401R3350	21	Enclosed switches	OTR100BA4B	1SCA022569R7410	28	Enclosed switches
OTP16BA3M25	1SCA022699R2960	21	Enclosed switches	OTR100BA4U	1SCA022569R7670	28	Enclosed switches
OTP16BA3MS	1SCA022643R0530	24	Enclosed switches	OTR125B3B	1SCA022568R0780	20	Enclosed switches
OTP16BA3P	1SCA022389R6880	21	Enclosed switches	OTR125B3U	1SCA022568R0860	20	Enclosed switches
OTP16BA4M	1SCA022459R6510	22	Enclosed switches	OTR125B4B	1SCA022568R2300	20	Enclosed switches
OTP16BA4MS	1SCA022643R0610	24	Enclosed switches	OTR125B4U	1SCA022568R2480	20	Enclosed switches
OTP16BA4P	1SCA022401R4080	22	Enclosed switches	OTR125BA3B	1SCA022569R7750	28	Enclosed switches
OTP16BA6M	1SCA022401R6880	23	Enclosed switches	OTR125BA3U	1SCA022569R7910	28	Enclosed switches
OTP16BA6P	1SCA022394R5330	23	Enclosed switches	OTR125BA4B	1SCA022569R7830	28	Enclosed switches
OTP16BA8MS	1SCA022643R0700	24	Enclosed switches	OTR125BA4U	1SCA022569R8050	28	Enclosed switches
OTP16HB3M	1SCA022401R2970	10	Enclosed switches	OTR16B3M	1SCA022567R9420	20	Enclosed switches
OTP16HB3M25	1SCA022699R3690	10	Enclosed switches	OTR16B4M	1SCA022568R1080	20	Enclosed switches
OTP16HB3P	1SCA022389R6700	10	Enclosed switches	OTR16B6M	1SCA022575R2440	20	Enclosed switches
OTP16HB3U	1SCA022401R3010	10	Enclosed switches	OTR16BA3M	1SCA022569R5110	28	Enclosed switches
OTP25B3M	1SCA022383R2640	10	Enclosed switches	OTR16BA4M	1SCA022569R5200	28	Enclosed switches
OTP25B3P	1SCA022383R2560	10	Enclosed switches	OTR16BA6M	1SCA022575R2610	28	Enclosed switches
OTP25B4M	1SCA022401R4320	11	Enclosed switches	OTR25B3M	1SCA022567R9690	20	Enclosed switches
OTP25B4P	1SCA022401R4240	11	Enclosed switches	OTR25B4M	1SCA022568R1240	20	Enclosed switches
OTP25B6M	1SCA022401R5720	12	Enclosed switches	OTR25B6M	1SCA022575R2870	20	Enclosed switches
OTP25B6P	1SCA022401R5640	12	Enclosed switches	OTR25BA3M	1SCA022569R5540	28	Enclosed switches
OTP25BA3M	1SCA022401R3430	21	Enclosed switches	OTR25BA4M	1SCA022569R5620	28	Enclosed switches
OTP25BA3P	1SCA022389R6960	21	Enclosed switches	OTR25BA6M	1SCA022575R3090	28	Enclosed switches
OTP25BA4M	1SCA022459R6600	22	Enclosed switches	OTR32B3M	1SCA022567R9850	20	Enclosed switches
OTP25BA4P	1SCA022433R8140	22	Enclosed switches	OTR32B4M	1SCA022568R1410	20	Enclosed switches
OTP25BA6M	1SCA022401R6960	23	Enclosed switches	OTR32B6M	1SCA022575R3250	20	Enclosed switches
OTP25BA6P	1SCA022394R5410	23	Enclosed switches	OTR32BA3M	1SCA022569R5970	28	Enclosed switches
OTP32B3M	1SCA022389R8400	10	Enclosed switches	OTR32BA4M	1SCA022569R6010	28	Enclosed switches
OTP32B3P	1SCA022389R7510	10	Enclosed switches	OTR32BA6M	1SCA022575R3410	28	Enclosed switches
OTP32B4M	1SCA022401R4590	11	Enclosed switches	OTR45B3M	1SCA022567R0010	20	Enclosed switches
OTP32B4P	1SCA022401R4410	11	Enclosed switches	OTR45B4M	1SCA022568R1670	20	Enclosed switches
OTP32B6M	1SCA022401R5990	12	Enclosed switches	OTR45B6B	1SCA022611R6660	20	Enclosed switches
OTP32B6P	1SCA022401R5810	12	Enclosed switches	OTR45B6U	1SCA022611R6820	20	Enclosed switches
OTP32BA3M	1SCA022401R3510	21	Enclosed switches	OTR45BA3M	1SCA022569R6350	28	Enclosed switches
OTP32BA3MS	1SCA022643R0880	24	Enclosed switches	OTR45BA4M	1SCA022569R6430	28	Enclosed switches
OTP32BA3P	1SCA022389R7000	21	Enclosed switches	OTR45BA6B	1SCA022611R6910	28	Enclosed switches
OTP32BA4M	1SCA022459R6780	22	Enclosed switches	OTR45BA6U	1SCA022611R7040	28	Enclosed switches
OTP32BA4P	1SCA022433R8220	22	Enclosed switches	OTR63B3M	1SCA022567R0270	20	Enclosed switches
OTP32BA6M	1SCA022401R7000	23	Enclosed switches	OTR63B4M	1SCA022568R1830	20	Enclosed switches
OTP32BA6P	1SCA022394R5680	23	Enclosed switches	OTR63B6B	1SCA022611R7120	20	Enclosed switches
OTP32BA8MS	1SCA022643R1000	24	Enclosed switches	OTR63B6U	1SCA022611R7210	20	Enclosed switches
OTP45B3M	1SCA022383R3020	10	Enclosed switches	OTR63BA3M	1SCA022569R6780	28	Enclosed switches
OTP45B3P	1SCA022383R2990	10	Enclosed switches	OTR63BA4M	1SCA022569R6860	28	Enclosed switches
OTP45B4M	1SCA022401R4750	11	Enclosed switches	OTR63BA6B	1SCA022611R7390	28	Enclosed switches
OTP45B4P	1SCA022401R4670	11	Enclosed switches	OTR63BA6U	1SCA022611R7470	28	Enclosed switches
OTP45B6M	1SCA022401R6110	12	Enclosed switches	OTZC13	1SCA022767R6910	39	Enclosure accessories
OTP45B6P	1SCA022401R6020	12	Enclosed switches	OTZC14	1SCA022767R7040	39	Enclosure accessories
OTP45BA3M	1SCA022401R3600	21	Enclosed switches	OTZC23	1SCA022767R7120	39	Enclosure accessories
OTP45BA3P	1SCA022389R7180	21	Enclosed switches	OTZC24	1SCA022767R7210	39	Enclosure accessories
OTP45BA4M	1SCA022459R6860	22	Enclosed switches	OTZC33	1SCA022785R7020	39	Enclosure accessories
OTP45BA4P	1SCA022571R5080	22	Enclosed switches	OTZC34	1SCA022785R7110	39	Enclosure accessories
OTP45BA6M	1SCA022401R7180	23	Enclosed switches	OZXA32	1SCA022683R4110	39	Enclosure accessories
OTP45BA6P	1SCA022394R5840	23	Enclosed switches	OZXA33	1SCA022685R0310	39	Enclosure accessories
OTP63B3M	1SCA022383R3450	10	Enclosed switches	OZXA38	1SCA022790R3740	39	Enclosure accessories
OTP63B3P	1SCA022383R3370	10	Enclosed switches	OZXA39	1SCA022785R2490	39	Enclosure accessories
OTP63B4M	1SCA022401R4910	11	Enclosed switches	OZXXK2	1SCA022131R8850	34	Accessories
OTP63B4P	1SCA022401R4830	11	Enclosed switches	OZXXK4	1SCA022131R9230	34	Accessories
OTP63B6M	1SCA022401R6370	12	Enclosed switches	OZXXK5	1SCA022131R9400	34	Accessories
OTP63B6P	1SCA022401R6290	12	Enclosed switches	YMF-MB10215	1SCA022191R2170	37	Enclosure accessories
OTP63BA3M	1SCA022401R3780	21	Enclosed switches	YMF-MB10674	1SCA022229R0010	37	Enclosure accessories
OTP63BA3P	1SCA022389R7260	21	Enclosed switches	YMF-MB10861SET	1SCA022715R9090	37	Enclosure accessories
OTP63BA4M	1SCA022459R6940	22	Enclosed switches	YMF-MB10862SET	1SCA022715R9170	37	Enclosure accessories
OTP63BA4P	1SCA022571R5160	22	Enclosed switches	YMF-MK10440	1SCA022660R7130	37	Enclosure accessories
OTP63BA6M	1SCA022401R7260	23	Enclosed switches				
OTP63BA6P	1SCA022394R5760	23	Enclosed switches				
OTR100B3B	1SCA022568R0510	20	Enclosed switches				



**ABB Oy**

Low Voltage Products  
P.O. Box 622  
FI-65101 VAASA, Finland  
Telephone +358 10 22 11  
Telefax +358 10 22 45708  
[www.abb.com](http://www.abb.com)

The technical data and dimensions are valid at the time of printing.  
We reserve the right to subsequent alterations.



The operations of the manufacturing plant have been certified.