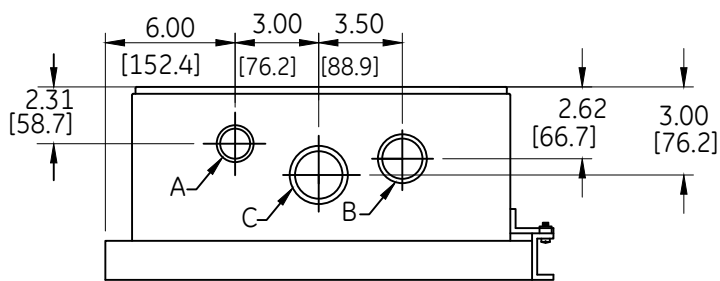
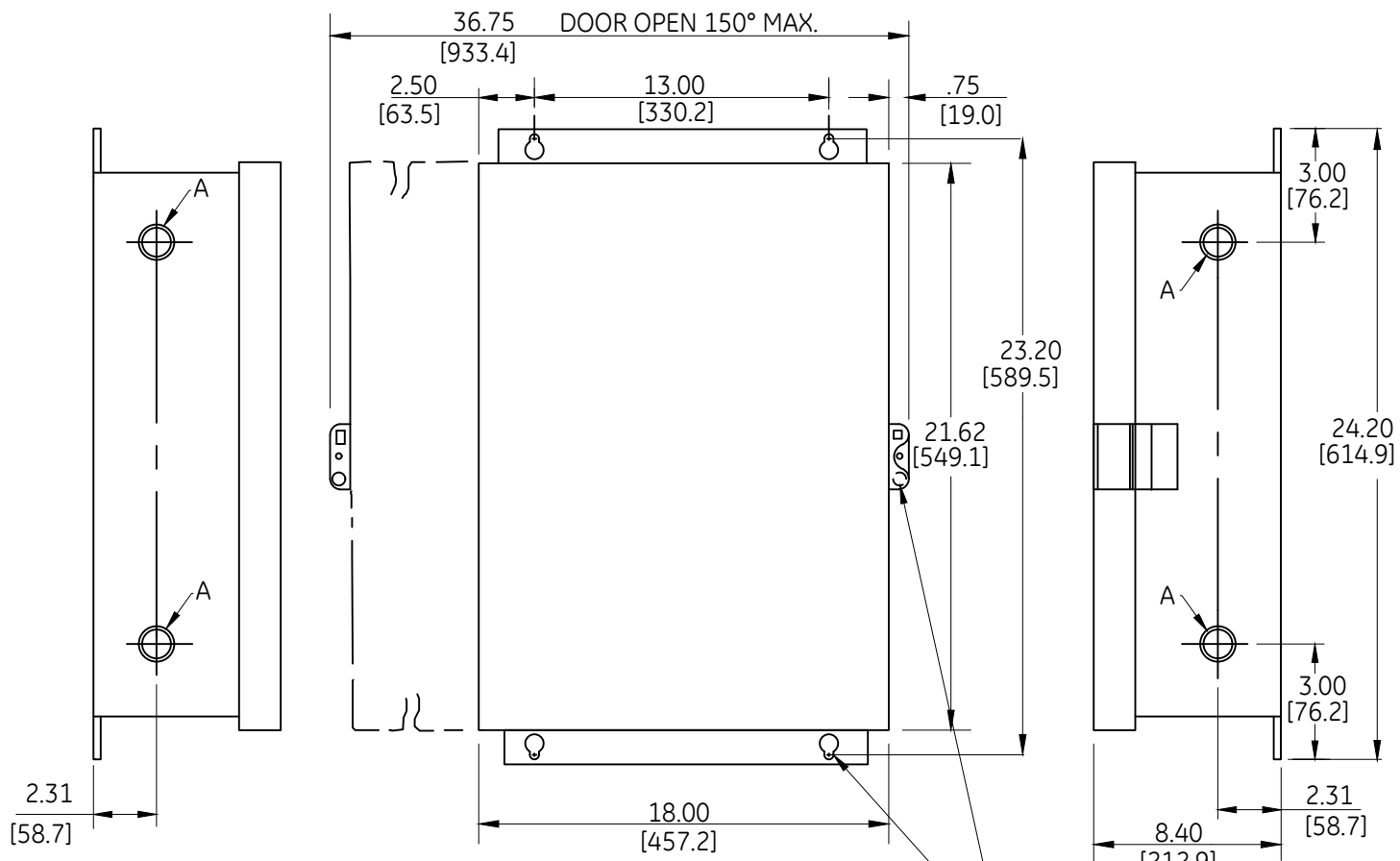


DUAL DIMENSIONS INCHES (ESTIMATING ONLY)
[MILLIMETERS]

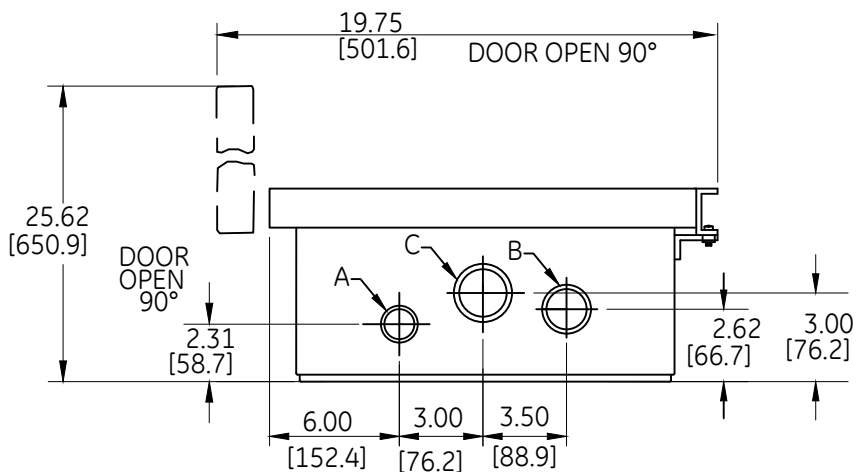


A - COMB. K. O. FOR 1/2" OR 3/4" COND.
B - COMB. K. O. FOR 1" OR 1-1/4" COND.
C - COMB. K. O. FOR 1-1/2" OR 2" COND.



0.50 DIA HOLE FOR PADLOCK
[12.7]

4 MTG. HOLES
FOR 0.38 BOLTS.
[9.7]



ABB

OUTLINE
TYPE 1 ENCLOSED

THIRD ANGLE	SHEET#	DWG NO.	DATE	REV
	1 of 1	55-200208	03/21	04