



Document No.: 9AKK108467A0608 Revision: A

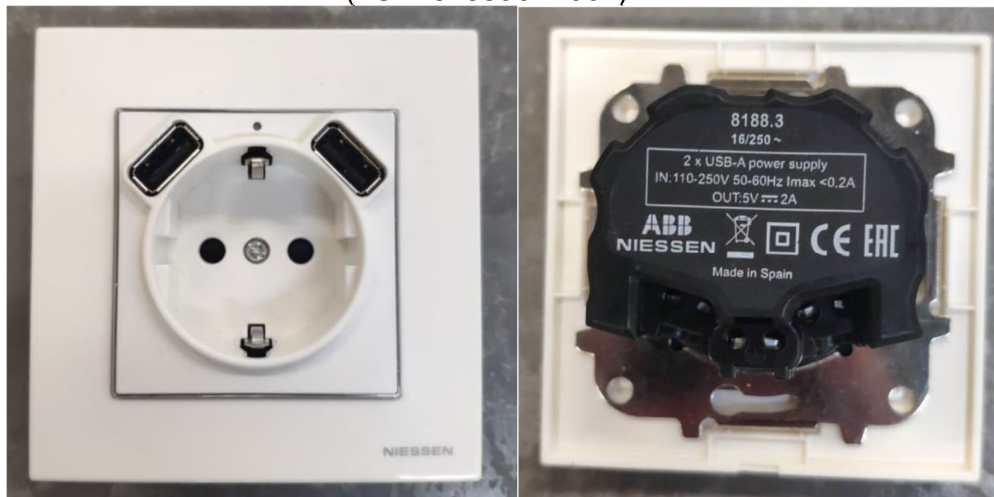
Asea Brown Boveri, S.A.  
Fábrica NIESEN

Polígono industrial Aranguren nº 6,  
20180-Oiartzun (Gipuzkoa), SPAIN.

## Declaration of Conformity

This declaration of conformity is issued under the sole responsibility of the manufacturer. We, Asea Brown Boveri, S.A. Fábrica NIESEN hereby confirm that the following equipment:

**SKY Niessen range, 8188.3: Socket outlet 2P+T 250V 16 A with double USB charger (2CLA818830A1001)**



Is type tested and comply with the relevant parts of the following different standards for Railway and Residential applications mentioned in this document.

To which this declaration relates is in conformity with the following standard(s) or other document(s).

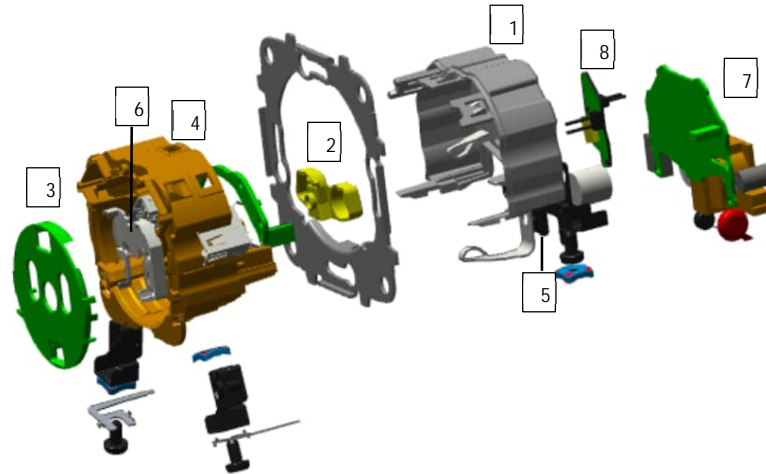
- EN 45545-2+A1:2015** - Railway applications- Fire protection on railway vehicles - Part 2: Requirements for fire behavior of materials and components.

Vampamid 66 3028 V0 HF where R22 is met according to the requirements of the standard **EN 45545-2+A1:2015**.

Makrolon 6557 HF where R22 is met according to the requirements of the standard **EN 45545-2+A1:2015**.

PCB where R24 is met according to the requirements of the standard **EN 45545-2:2020**.

- 8188.3-2CLA818830A1001-Socket outlet 2P+T 250V 16 A with double USB charger



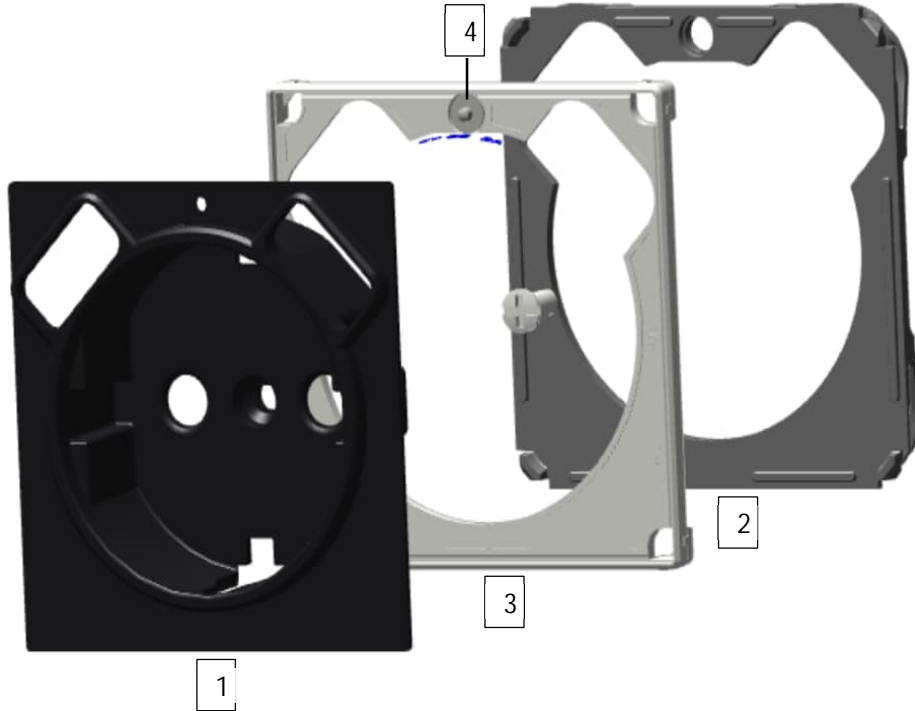
	Part Ident number	Part Name (Description)	Weight	Material Name	Material Ident number	Test Report
1	2CLP818837A1001	Housing cover	8,5 g	Vampamid 66 3028 V0 HF	2CLZ414351A1001	IK.LKA98.A96/20
2	2CLP818838A1001	Cover	0,6 g	Vampamid	2CLZ414351A1001	IK.LKA98.A96/20
3	2CLP818834A1001	Cover	2,1 g	Makrolon 6557	2CLZ700051A1001	IK.LKA98.A97/20
4	2CLP818835A1001	Housing cover	16,5 g	Vampamid 66 3028 V0 HF	2CLZ414351A1001	IK.LKA98.A96/20
5	2CLP228817A1701	Shutter	0,62 g	POLYONE A70 G15 TF10 U	2CLZ414650A1001	N/A *
6	2CLP818836A1001	Shutter cover	1,2 g	POLYONE A70 G15 TF10 U	2CLZ414650A1001	N/A *
7	2CLX818830A1001	PCB	---	W101260ASL482 PCBWAY	---	DO-22-3782A-R1
8	2CLX818831A1001	PCB USB	---	W101260ASL482 PCBWAY	---	DO-22-3782A-R1

\*Polyamide 6.6 NG V0 15FV 10 PTFE does not need to meet Railway requirements because it weighs less than 10g and is surrounded by materials that comply with EN 45545-2+A1:2015.

	PN-EN ISO 4589-2:2017-06	PN-EN ISO 5659-2:2017-08	EN 45545-2+A1:2015
	Oxygen index (OI)	Dsmax	R22 / HL level
Makrolon 6557	31,5±0,51	31,6	R22 / HL2 R22 / HL3
Vampamid 66 3028 V0 HF	34±0,51	115,3	R22 / HL3 R22 / HL3

	EN ISO 4589-2:2017-06	EN 45545-2:2020
	Oxygen index (OI)	R24 / HL level
PCB	64,3	R24 / HL3

- Schuko and double USB charger cover:



▪ R8588.3 BL-2CLA858830R1101

	Part Ident number	Part Name (Description)	Weight	Material Name	Material Ident number	Test Report
1	2CLP858830R1101	Railway basic cover	8,1 g	Makrolon 6557	2CLZ700024A1001	IK.LKA98.A97/20
2	2CLP858832R1001	Railway basic chrome frame support	3,3 g	Makrolon 6557	2CLZ700051A1001	IK.LKA98.A97/20
3	2CLD858833A1001	Chrome frame	3 g	A.B.S. GALVANIZAR NATURAL	2CLZ260072A1001	N/A *
4	2CLP852631A1101	F&H visor	2 g	Polycarbonato Transparente	2CLZ700070A1001	N/A *

\*A.B.S. Galvanizar Natural y el policarbonato transparente does not need to meet Railway requirements because it weighs less than 10g and is surrounded by materials that comply with EN 45545-2+A1:2015.

▪ R8588.3 PL-2CLA858830R1301

	Part Ident number	Part Name (Description)	Weight	Material Name	Material Ident number	Test Report
1	2CLD858830R1301	Railway basic cover	8,1 g	Makrolon 6557	2CLZ700051A1001	IK.LKA98.A97/20
2	2CLP858832R1001	Railway basic chrome frame support	3,3 g	Makrolon 6557	2CLZ700051A1001	IK.LKA98.A97/20



Document No.: 9AKK108467A0608 Revision: A

3	2CLD858833A1001	Chrome frame	3 g	A.B.S. GALVANIZAR NATURAL	2CLZ260072A1001	N/A *
4	2CLP852631A1101	F&H visor	2 g	Polycarbonato Transparente	2CLZ700070A1001	N/A *

▪ R8588.3 NS-2CLA858830R1501

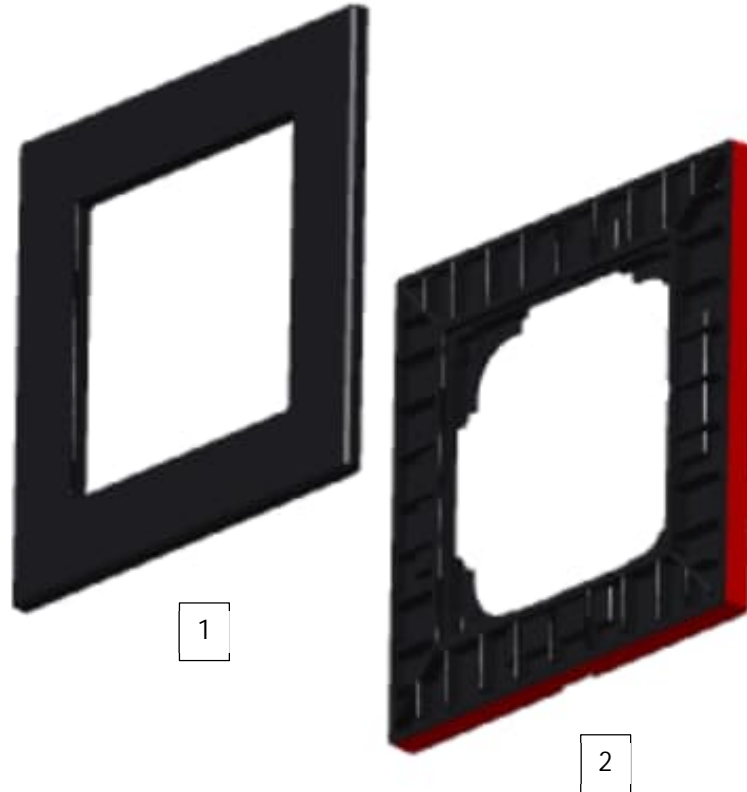
	Part Ident number	Part Name (Description)	Weight	Material Name	Material Ident number	Test Report
1	2CLD858830R1501	Railway basic cover	8,1 g	Makrolon 6557	2CLZ700051A1001	IK.LKA98.A97/20
2	2CLP858832R1001	Railway basic chrome frame support	3,3 g	Makrolon 6557	2CLZ700051A1001	IK.LKA98.A97/20
3	2CLD858833A1001	Chrome frame	3 g	A.B.S. GALVANIZAR NATURAL	2CLZ260072A1001	N/A *
4	2CLP852631A1101	F&H visor	2 g	Polycarbonato Transparente	2CLZ700070A1001	N/A *

▪ R8588.3 BB-2CLA858830R4101

	Part Ident number	Part Name (Description)	Weight	Material Name	Material Ident number	Test Report
1	2CLP858830R1101	Railway basic cover	8,1 g	Makrolon 6557	2CLZ700024A1001	IK.LKA98.A97/20
2	2CLP858832R1001	Railway basic chrome frame support	3,3 g	Makrolon 6557	2CLZ700051A1001	IK.LKA98.A97/20
3	2CLP858833R1001	Chrome frame	3 g	Makrolon 6557	2CLZ700024A1001	IK.LKA98.A97/20
4	2CLP852631A1101	F&H visor	2 g	Polycarbonato Transparente	2CLZ700070A1001	N/A *

Makrolon 6557 meets the requirements for R22 according to EN 45545-2+A1:2015

- Frame with its base:



- R8571.1 BL-2CLA857110R1101

	Part Ident number	Part Name (Description)	Weight	Material Name	Material Ident number	Test Report
1	2CLP857101R1101	Railway basic plate 1V	10,91 g	Makrolon 6557	2CLZ700024A1001	IK.LKA98.A97/20
2	2CLP857110R1101	Railway frame support 1V	14,97 g	Makrolon 6557	2CLZ700024A1001	IK.LKA98.A97/20

- R8571 PL-2CLA857100R1301

	Part Ident number	Part Name (Description)	Weight	Material Name	Material Ident number	Test Report
1	2CLD857101R1301	Railway basic plate 1V	10,91 g	Makrolon 6557	2CLZ700051A1001	IK.LKA98.A97/20
2	2CLP857110R1601	Railway frame support 1V	14,97 g	Makrolon 6557	2CLZ700051A1001	IK.LKA98.A97/20



Document No.: 9AKK108467A0608 Revision: A

- R8571 NS-2CLA857100R1501

	Part Ident number	Part Name (Description)	Weight	Material Name	Material Ident number	Test Report
1	2CLD857101R1301	Railway basic plate 1V	10,91 g	Makrolon 6557	2CLZ700024A1001	IK.LKA98.A97/20
2	2CLP857110R1501	Railway frame support 1V	14,97 g	Makrolon 6557	2CLZ700024A1001	IK.LKA98.A97/20

Makrolon 6557 meets the requirements for R22 according to EN 45545-2+A1:2015

The result meets the requirements for R24 according to EN 45545-2+A1:2015 and EN 45545-2:2020 in the field of OI at the Hazard Level HL2, and in the field of Dsmax at the Hazard Level HL3.

**Summary: The 8188.3 materials listed in this document are classified R24/HL2 or better.**

- UNE-EN 50155:2018** - Railway applications - Rolling stock - Electronic equipment- Ambient vibration. Test Report No.: 2022010034B1\_A.
- EN-50121-3-2:2016+A1:2019** - Railway applications - Electromagnetic compatibility - Part 3: Rolling stock – Apparatus. Test Report No.: 2022010018C1.
- EN IEC 62368-1:2020 + A11:2020** - Audio/video, information and communication technology equipment - Part 1: Safety requirements. Test Report No.: 2021060362B1-S1.
- CISPR 32:2015, CISPR 35:2016, IEC 61000-3-2:2018, IEC 61000-3-3:2013, AMD1:2017** -Electromagnetic compatibility of multimedia equipment. Test Report No.: 2021070368C1.
- IEC 60884-3-1:2021** - Plugs and socket-outlets for household and similar purposes. Part 3-1: Particular requirements for socket-outlets incorporating USB power supply Test Report No.: 22047.
- EN IEC 63000:2018** Technical documentation for the assessment of electrical and electronic products with respect to the restriction of hazardous substances. Declaration No.: EU RoHS Directive-NA - Trading Goods-2CLA818830A1001. Declaration No.: EU REACH SVHC-NA - Trading Goods-2CLA818830A1001.

And complies with the essential requirements of the following council directives:

- DIRECTIVE 2014/35/EU** - Low voltage.
- DIRECTIVE 2014/30/EU** - Electromagnetic compatibility (recast).
- DIRECTIVE 2012/19/EU** on waste electrical and electronic equipment (WEEE) (recast).
- RoHS DIRECTIVE 2011/65/EU** and subsequent modifications published until November 16, 2018, on the restriction of the use of certain hazardous substances in electrical and electronic equipment (recast) (EU RoHS Directive-NA).
- REACH European Union Directive 1907/2006** on the Registration Evaluation Authorization and Restriction of Chemicals (EU REACH SVHC-NA).

This confirmation is valid for the present design and for the use of the products according to the standards.



Document No.: 9AKK108467A0608 Revision: A

This socket outlet can be used with these frames and covers:

Cover		Frame	
Railway	Residential*	Railway	Residential*
R8588.3 XX	8588.3 XX	R8571.1 BL	8571 XX
XX: BL, PL, NS, BB	XX: BL, OE, PL, AL, NS, CM, BB, DN, TP	R8571 XX	XX: BL, OE, PL, AL, NS, CM, FR, WN, CB, CN, CA, DN, TP
		XX: PL, NS	

\*Residential covers and frames are not based in Railway's plastic materials.

The endings XX correspond to the manufacturer's colours code.

For covers:

R8588.3 BL	Blanco / White	2CLA858830R1101
R8588.3 PL	Plata / Silver	2CLA58830R1301
R8588.3 NS	Acero Inoxidable Pintado Negro soft / Black soft painted Stainless Steel	2CLA858830R1501
R8588.3 BB	Blanco Básico / Basic white	2CLA858830R4101
8588.3 BL	Blanco / White	2CLA858830A1101
8588.3 OE	Oro Envejecido / Antique Gold	2CLA858830A1201
8588.3 PL	Plata / Silver	2CLA858830A1301
8588.3 AI	Acero Inoxidable / Stainless Steel	2CLA858830A1401
8588.3 NS	Acero Inoxidable Pintado Negro soft / Black soft painted Stainless Steel	2CLA858830A1501
8588.3 CM	Acero Inoxidable Pintado Comodoro / Comodoro painted Stainless Steel	2CLA858830A1901
8588.3 BB	Blanco Básico / Total white	2CLA858830A4101
8588.3 DN	Acero Inoxidable Pintado Duna / Duna painted Stainless Steel	2CLA858830A6201
8588.3 TP	Acero Inoxidable Pintado Taupe / Taupe painted Stainless Steel	2CLA858830A6301

For frames:

R8571.1 BL	Blanco / White	2CLA857110R1101
R8571 PL	Plata / Silver	2CLA857100R1301
R8571 NS	Acero Inoxidable Pintado Negro soft / Black soft painted Stainless Steel	2CLA857100R1501
8571 BL	Blanco / White	2CLA857100A1101
8571 OE	Oro Envejecido / Antique Gold	2CLA857100A1201



Document No.: 9AKK108467A0608 Revision: A

8571 PL	Plata / Silver	2CLA857100A1301
8571 AI	Acero Inoxidable / Stainless Steel	2CLA857100A1401
8571 NS	Acero Inoxidable Pintado Negro soft / Black soft painted Stainless Steel	2CLA857100A1501
8571 CM	Acero Inoxidable Pintado Comodoro / Comodoro painted Stainless Steel	2CLA857100A1901
8571 FR	Fresno / Ash	2CLA857100A2001
8571 WN	Wengué Natural / Wengué Wood	2CLA857100A2101
8571 CB	Cristal Blanco / White Glass	2CLA857100A3001
8571 CN	Cristal Negro / Black Glass	2CLA857100A3101
8571 CA	Cava / Champagne	2CLA857100A3201
8571 DN	Acero Inoxidable Pintado Duna / Duna painted Stainless Steel	2CLA857100A6201
8571 TP	Acero Inoxidable Pintado Taupe / Taupe painted Stainless Steel	2CLA857100A6301

Year of CE marking: 2022

## Asea Brown Boveri, S.A.

Fabrica NIESSEN

Eusebio Irurieta Zabala  
Product Compliance Manager



Iñaki Lete Jauregui  
LBU Managing Director

2022/06/28, Oiartzun, Spain.