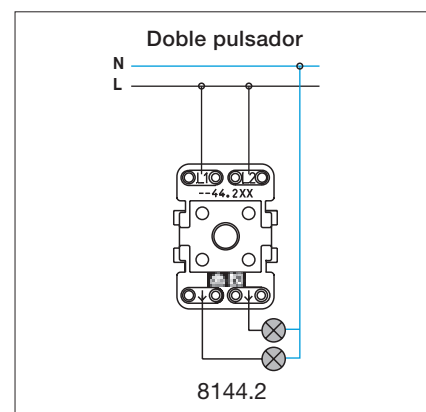
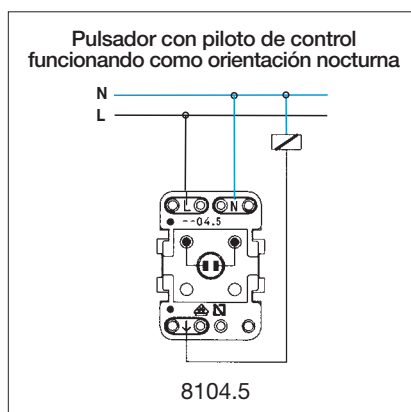
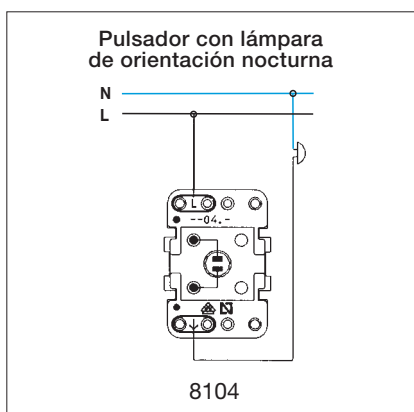
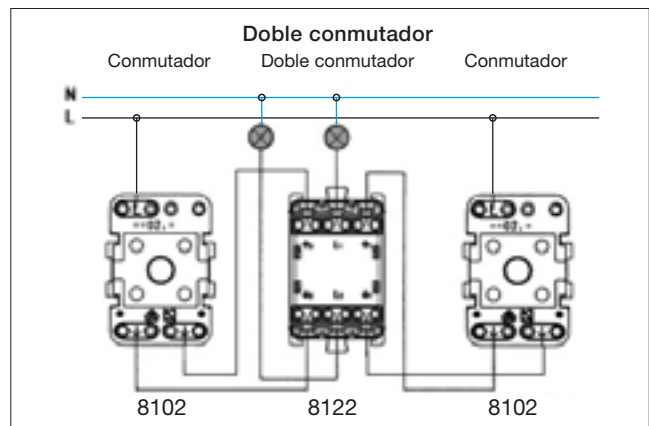
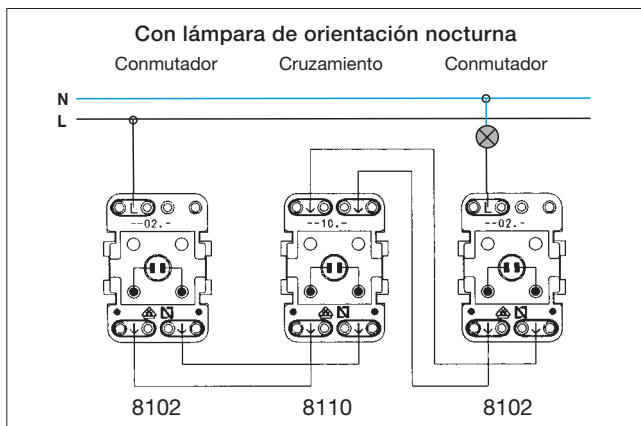
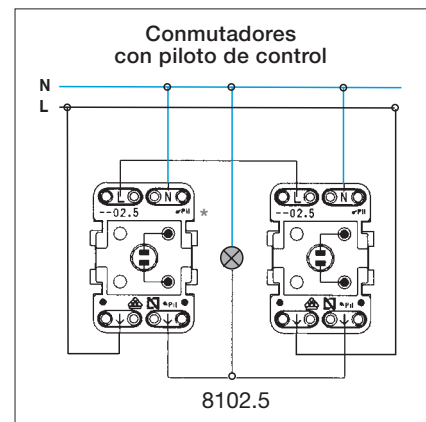
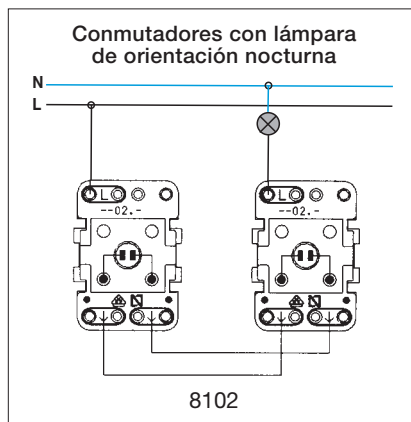
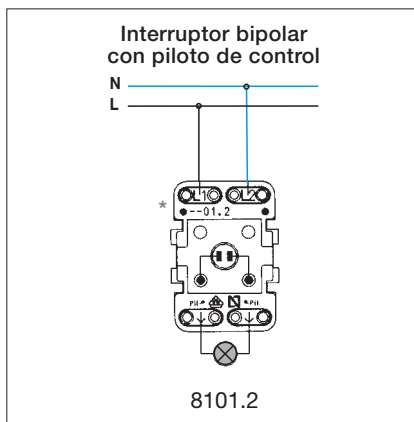
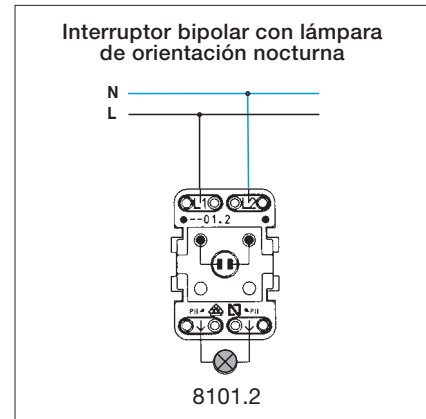
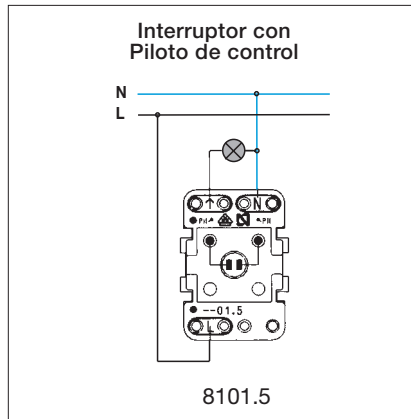
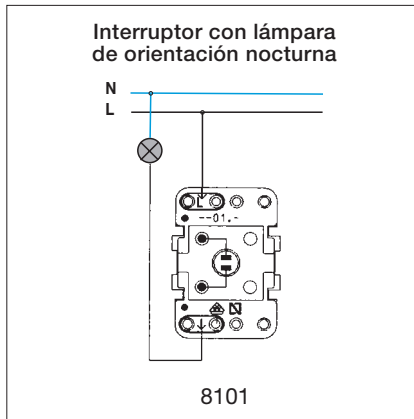


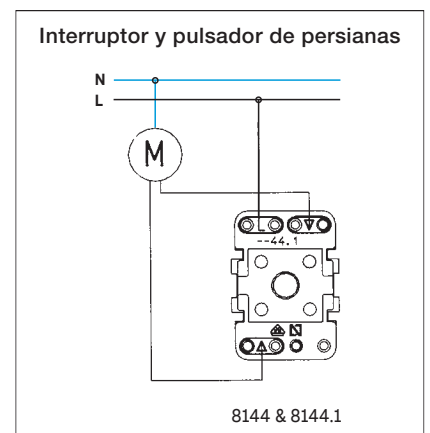
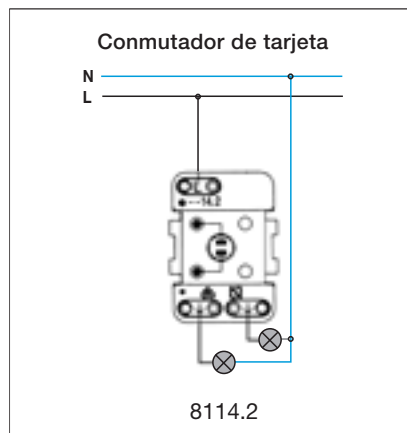
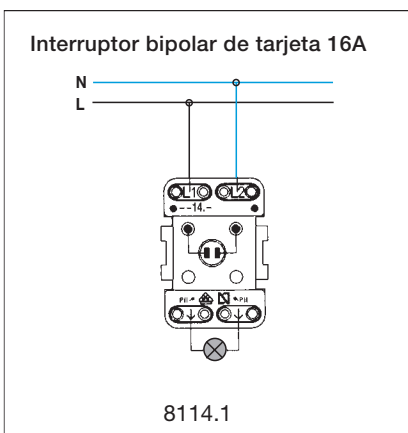
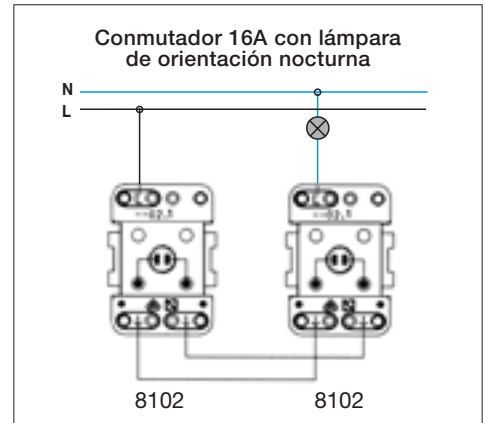
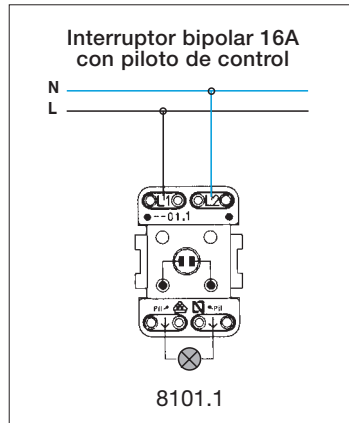
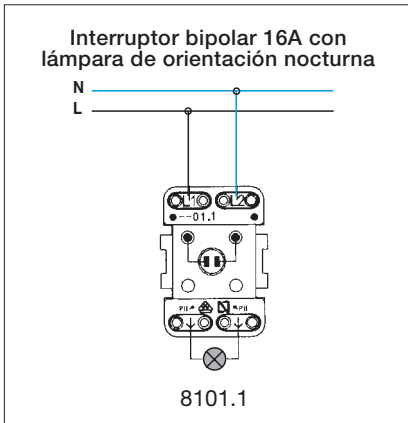
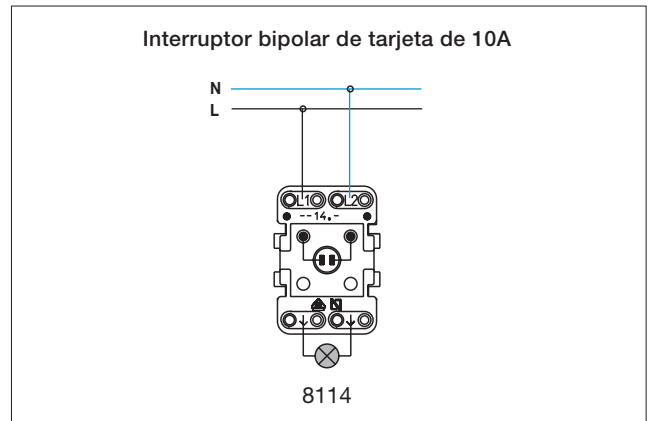
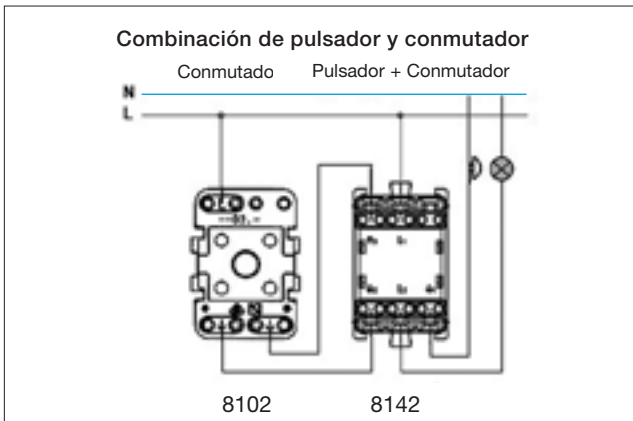
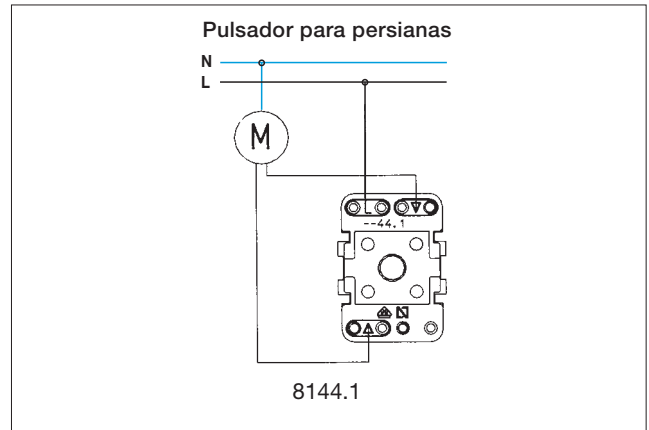
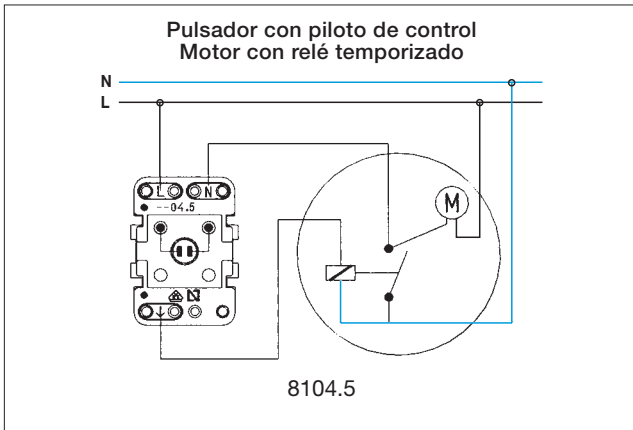
Wiring diagrams



* Los ● indican dónde hay que conectar la lamparita para orientación nocturna.

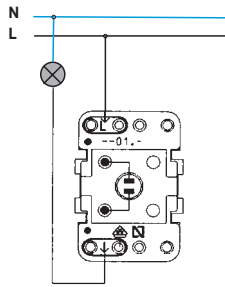
* Los "pil" indican dónde hay que conectar la lamparita para piloto de control.

Wiring diagrams



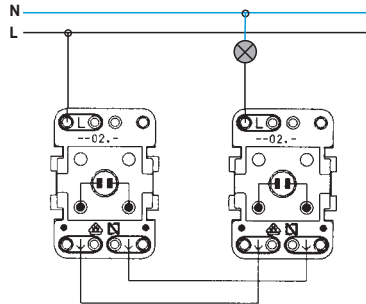
Wiring diagrams

1-way switch (optional: locator LED)



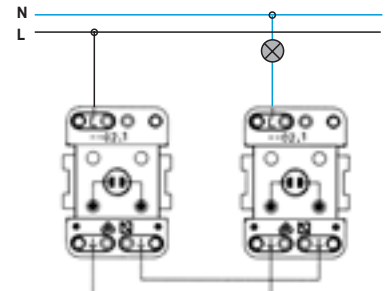
8101 & 8148

2-way switch (optional: locator LED)



8102

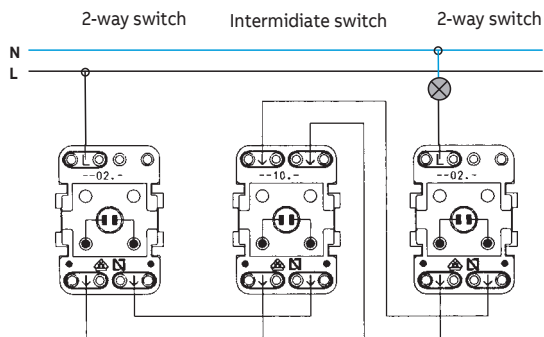
2-way 16A switch (optional: locator LED)



8102.1

8102.1

Intermediate switch (optional: locator LED)

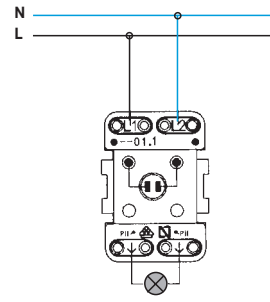


8102

8110

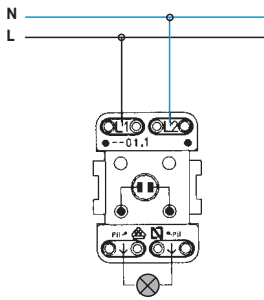
8102

Double-pole 1-way switch 16 A (optional: locator LED)



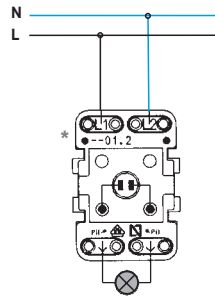
8101.1

Double-pole 1-way switch 16 A with indicator LED



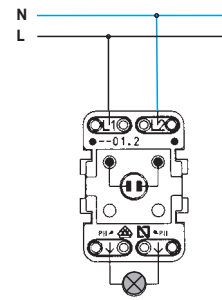
8101.1

Double-pole 1-way switch with indicator LED



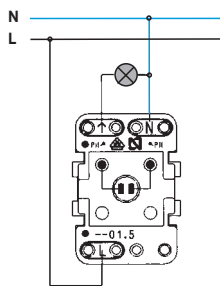
8101.2

Double-pole 1-way switch with locator LED



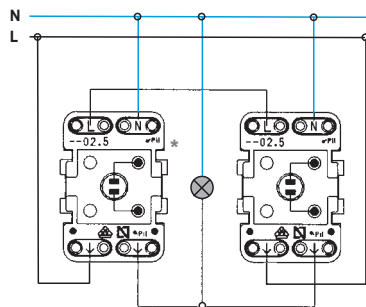
8101.2

1-way switch with indicator LED



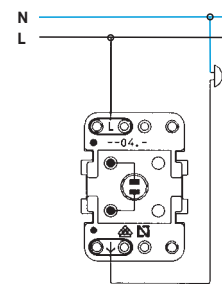
8101.5

2-way switches with indicator LED



8102.5

Push-button (optional: locator LED)



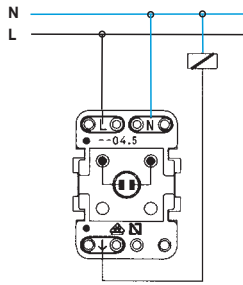
8104

* The • indicates where the night guide lamp must be connected.

* The "pil" indicates where the control pilot lamp must be connected.

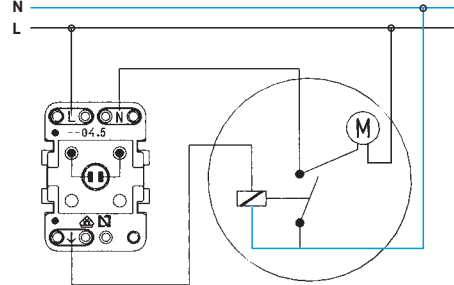
Wiring diagrams

Push-button with locator LED



8104.5

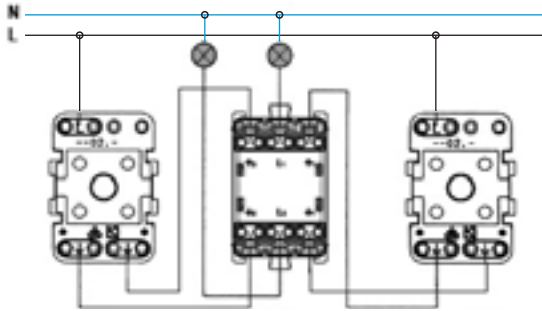
Push-button with indicator LED for time delayed functions



8104.5

2-gang / 2-way switch

1-gang / 2-way switch 2-gang / 2-way switch 1-gang / 2-way switch

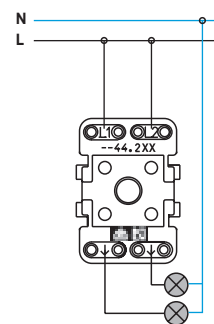


8102

8122

8102

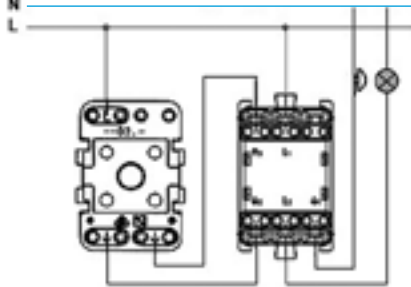
2-gang push-button



8144.2

Combination of push-button and 2-way switch

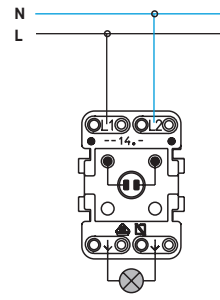
2-way switch Push-button + 2-way switch



8102

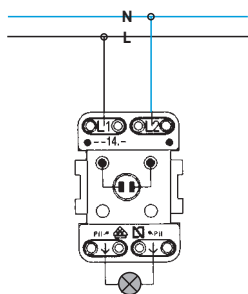
8142

Double-pole card switch 10 A



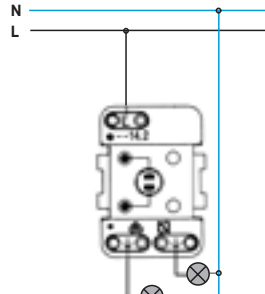
8114

Double-pole 16 A card switch



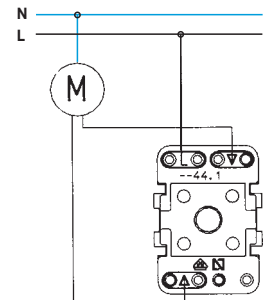
8114.1

2-way card switch



8114.2

Blind switch and push-button



8144 & 8144.1