

## INSTRUCTION SHEET

# A3XXGC Tamper resistant guard (mushroom head) for A3 illuminated mushroom pushbutton

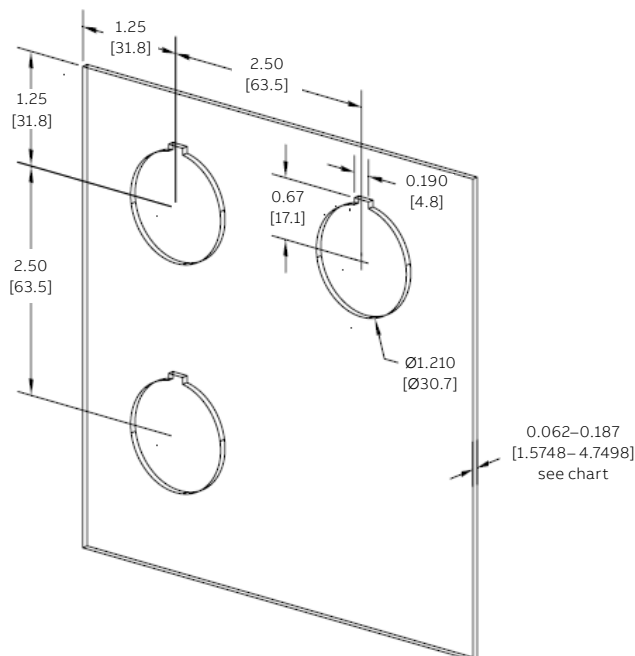
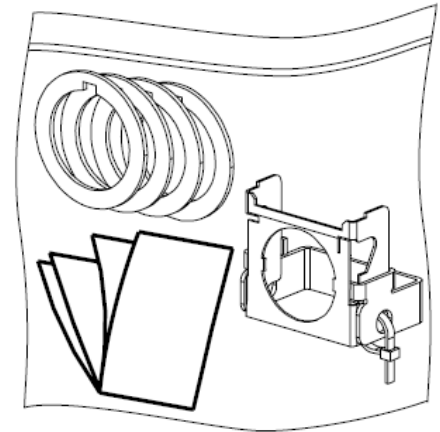
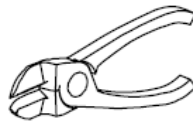
	<b>⚠ WARNING</b>
	<p><b>Hazardous voltage. Can cause death, serious personal injury or property damage.</b></p> <p>To avoid electrical shock, turn off electrical power to controls before performing installation or maintenance.</p>

For replacement parts information or an application guide, visit our website at [abb.com/low-voltage](http://abb.com/low-voltage) or contact your ABB representative.

For more information on optional mounting kits, name plates and other accessories, visit [abb.com/low-voltage](http://abb.com/low-voltage).

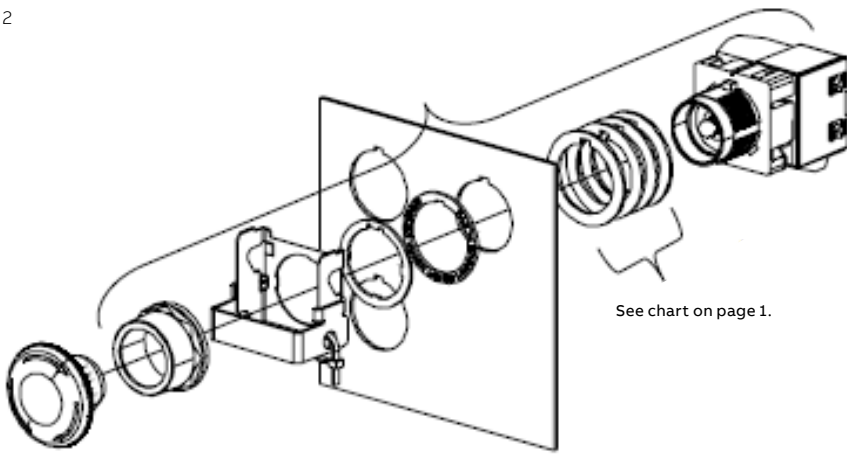
These instructions do not purport to cover all details or variations in equipment nor to provide for every possible contingency to be met in connection with installation, operation or maintenance. Should further information be desired or should particular problems arise that are not covered sufficiently for the purchaser's purpose, the matter should be referred to ABB Inc.

The contents of this instruction manual shall not become part of or modify any prior or existing agreement, commitment or relationship. The sales contract contains the entire obligation of ABB. The warranty contained in the contract between the parties is the sole warranty of ABB. Any statements contained herein do not create new warranties or modify the existing warranty.

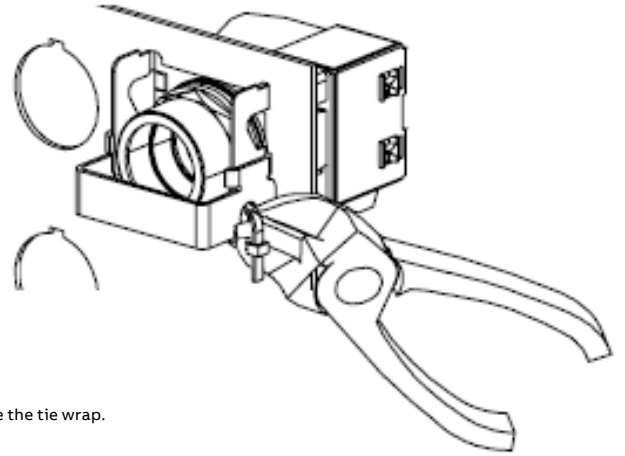


Step 1

Panel thickness range (inches)	Gaskets required
16 ga–14 ga (0.060–0.075)	3
13 ga–10 ga (0.090–0.135)	2
9 ga–7 ga (0.150–0.188)	1

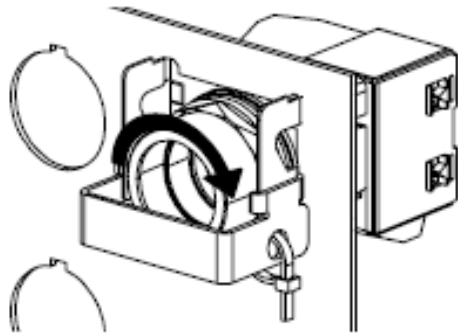


See chart on page 1.

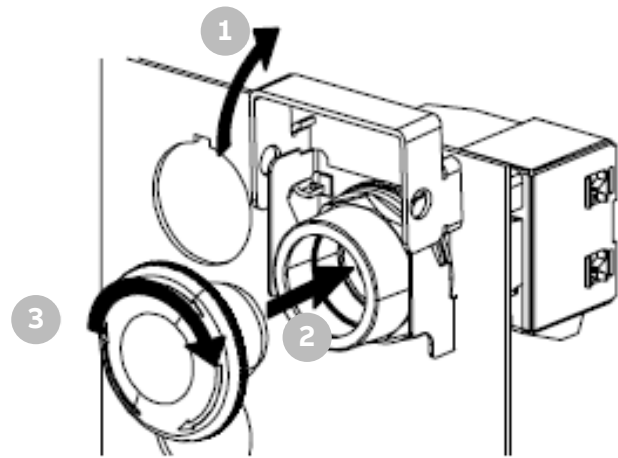


Step 2  
 Assembly parts shown. Leave the mushroom head off until step 5.

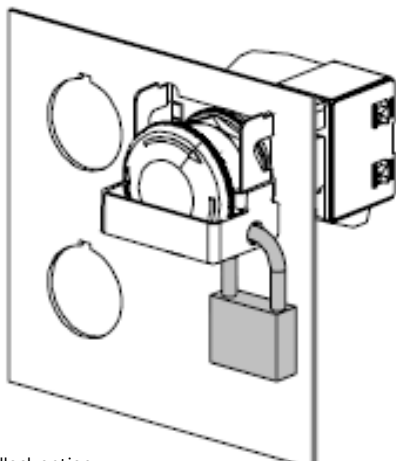
Step 3  
 Remove the tie wrap.



Step 4  
 Tighten locking nut to 40±2 in.-lbs.  
 [4.5 Nm] recommended torque.



Step 5  
 1. Lift lockout plate to the open position.  
 2. Insert mushroom head into switch body.  
 3. Tighten securely.



Padlock option.

USA  
**ABB Inc.**  
 305 Gregson Drive  
 Cary, NC 27511

We reserve the right to make technical changes or modify the contents of this document without prior notice. With regard to purchase orders, the agreed particulars shall prevail. ABB Inc. does not accept any responsibility whatsoever for potential errors or possible lack of information in this document.

We reserve all rights in this document and in the subject matter and illustrations contained therein. Any reproduction or utilization of its contents – in whole or in parts – is forbidden without prior written consent of ABB Inc. © 2021 ABB. All rights reserved.