

MEDIUM VOLTAGE PRODUCT

KOKS 12, KOKS 17.5

Bus current transformer



Technical parameters	Value
Highest voltage for equipment	12 / 17.5 kV
Rated power-frequency withstand voltage	28 / 38 kV
Rated lightning impulse withstand voltage	75 / 95 kV
Rated continuous thermal current	max. 4000 A
Rated short-time thermal current 1s	90 kA
Burdens, classes	5 -30 VA / 0.2 - 1 / 5P; 10P
Reconnectable	Secondary only

Description

The KOKS 12 and KOKS 17.5 current transformers are casted in epoxy resin and designed for insulation voltages up to 17.5 kV. The transformers are configured as bus-type, with one or more ratios (with a possibility of secondary reconnection) and perform a function of a bushing when installed in the switchboard.

The transformer is designed for 1 to 6 secondary windings and in dependence on the combination of parameters (accuracy class, burden, short-circuit current, overcurrent factor...) with possibility to choose from various sizes of the transformer. The secondary windings are used for measurement or protection purposes. During the operation of transformer, one secondary connector of each used winding and one of short-circuited or unused has to be earthed. The secondary windings are lead out into casted-type secondary terminal board. The transformer can be mounted in any position. The transformer position is fixed with four screws.

Rated primary voltages

3.6 kV; 7.2 kV; 12 kV; 17.5 kV

Rated primary currents

500; 600; 750; 1000; 1250; 1500; 2000; 2500; 3000; 3500; 4000 A. Primary currents may differ from the above and can also be agreed upon with customer.

Rated secondary currents

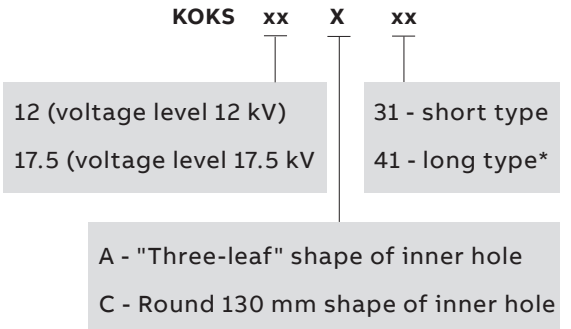
5 A; 1 A (possibility to combine different values in one transformer).

Rated frequency

50 Hz; 60 Hz.

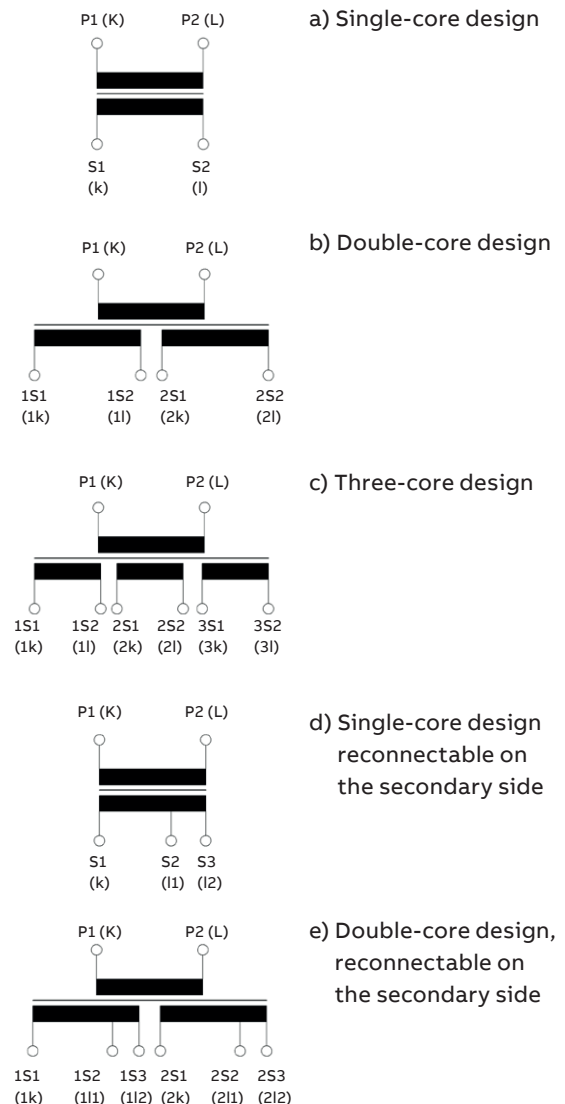
The transformers are manufactured conformably to the following requirements and standards: IEC, VDE, ANSI, BS, GOST and CSN.

Basic marking



* available only for KOKS xx A type

Marking of current transformer outlets - example



—
01 Table of Standardized
transformers

Type	Ratio	I_{thn}	Burden	Accuracy	FS/ALF
KOKS 12A31	500//5 A	50 kA	20 VA	0.5	5
KOKS 12A31	500//5/5 A	50 kA	15/15 VA	0.5/5P	10/10
KOKS 12A31	500//1/1 A	50 kA	15/20 VA	0.5/5P	5/10
KOKS 12A31	600//5/5 A	50 kA	15/15 VA	0.5/5P	5/10
KOKS 12A31	600//1/1 A	50 kA	15/10 VA	0.5/5P	5/10
KOKS 12A31	750//1/1 A	50 kA	10/15 VA	0.5/5P	10/20
KOKS 12A31	900//5/1 A	50 kA	15/15 VA	0.5/5P	5/10
KOKS 12A31	900//5/5 A	50 kA	10/20 VA	0.5/5P	10/10
KOKS 12A31	1000//1 A	50 kA	20 VA	0.5	5
KOKS 12A31	1000//5/5 A	50 kA	20/20 VA	0.5/5P	5/10
KOKS 12A31	1200//5/5 A	50 kA	15/20 VA	0.5/5P	10/10
KOKS 12A31	1200//1/1/5 A	50 kA	10/15/15 VA	0.5/5P/5P	10/10/10
KOKS 12A31	1250//1/1 A	50 kA	20/20 VA	0.5/5P	10/10
KOKS 12A41	1250//5/5 A	50 kA	20/30 VA	0.5/5P	10/20
KOKS 12A31	1500//5/5 A	50 kA	20/15 VA	0.5/5P	10/20
KOKS 12A31	1500//5/5 A	50 kA	20/20 VA	0.5/5P	5/10
KOKS 12A31	1500//1 A	50 kA	30 VA	0.5	5
KOKS 12A41	1500//5/5/1 A	50 kA	20/15/20 VA	0.5/5P/5P	10/20/10
KOKS 12A31	2000//5/5 A	50 kA	15/20 VA	0.5/5P	5/10
KOKS 12A31	2500//5/5 A	50 kA	20/20 VA	0.5/5P	5/20
KOKS 12A31	2500//1/1 A	50 kA	15/20 VA	0.5/5P	10/20
KOKS 12A31	2500//5/5 A	50 kA	20/20 VA	0.5/5P	5/20
KOKS 12A41	2500//5/5/5 A	50 kA	15/20/20 VA	0.5/5P/5P	5/10/20
KOKS 12A31	3000//5/5 A	50 kA	20/30 VA	0.5/5P	10/20
KOKS 12A31	3000//5/5/5 A	50 kA	10/15/15 VA	0.5/5P/5P	10/10/10
KOKS 12A31	3000//1/1 A	50 kA	15/20 VA	0.5/5P	10/10
KOKS 12A41	3000//5/5/1/1 A	50 kA	15/20/15/20 VA	0.5/5P/0.5/5P	10/10/10/20
KOKS 12A31	3150//1 A	50 kA	30 VA	5P	10
KOKS 12A31	3150//1/1 A	50 kA	20/20 VA	0.5/5P	5/10
KOKS 12A31	3150//1/1/1 A	50 kA	20/20/20 VA	0.5/5P/5P	5/10/10
KOKS 12A41	3150//1/1/1/1 A	50 kA	10/10/10/10/10 VA	0.5/0.5/5P/5P/5P	10/10/10/10/20
KOKS 12A31	3150//5/5 A	50 kA	20/20 VA	0.5/5P	5/10
KOKS 12A31	3150//5/5/5 A	50 kA	15/15/15 VA	0.5/5P/5P	10/10/20
KOKS 12A31	3150//5/5/5/5 A	50 kA	10/10/10/10 VA	0.5/0.5/5P/5P	10/10/10/10
KOKS 12A31	3600//1/1 A	50 kA	20/30 VA	0.5/5P	5/10
KOKS 12A31	3600//1/1/1 A	50 kA	20/20/20 VA	0.5/5P/5P	5/10/10
KOKS 12A31	3600//1/1/1 A	50 kA	10/10/15 VA	0.5/5P/5P	5/10/20
KOKS 12A41	3600//1/1/1/1 A	50 kA	10/10/15/10 VA	0.5/0.5/5P/5P	5/5/10/10
KOKS 12A31	3600//5/5 A	50 kA	20/20 VA	0.5/5P	5/10
KOKS 12A31	3600//5/5 A	50 kA	15/15/15 VA	0.5/5P/5P	5/10/10
KOKS 12A31	3600//5/5/5 A	50 kA	15/10/15 VA	0.5/5P/5P	5/10/20
KOKS 12A31	4000//1/1 A	50 kA	20/20 VA	0.5/5P	5/10
KOKS 12A31	4000//1/1/1 A	50 kA	15/15/15 VA	0.5/5P/5P	5/10/10
KOKS 12A41	4000//1/1/1/1 A	50 kA	20/20/20/20 VA	0.5/0.5/5P/5P	5/5/10/10
KOKS 12A31	4000//5/5 A	50 kA	20/20 VA	0.5/5P	5/10
KOKS 12A31	4000//5/5/5 A	50 kA	10/10/15 VA	0.5/5P/5P	5/10/10
KOKS 12A31	4000//5/5/5 A	50 kA	10/10/10 VA	0.5/5P/5P	5/10/20
KOKS 12A41	4000//5/5/5/5 A	50 kA	15/15/15/15 VA	0.5/0.5/5P/5P	5/5/10/10

Dimensional Drawings

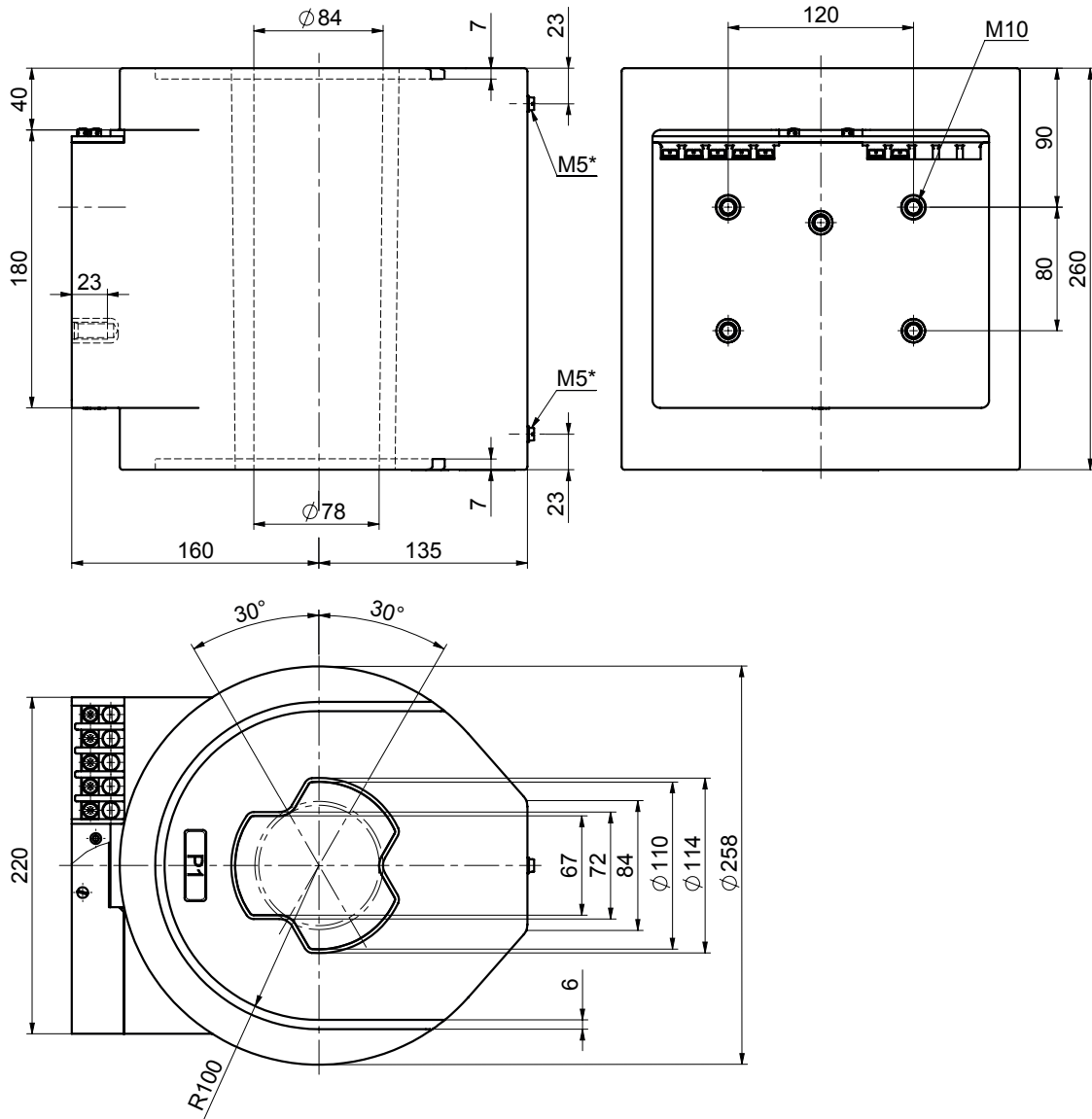
KOKS 12, 17.5

—

KOKS 12 A 31

KOKS 17.5 A 31

Weight: 35 kg

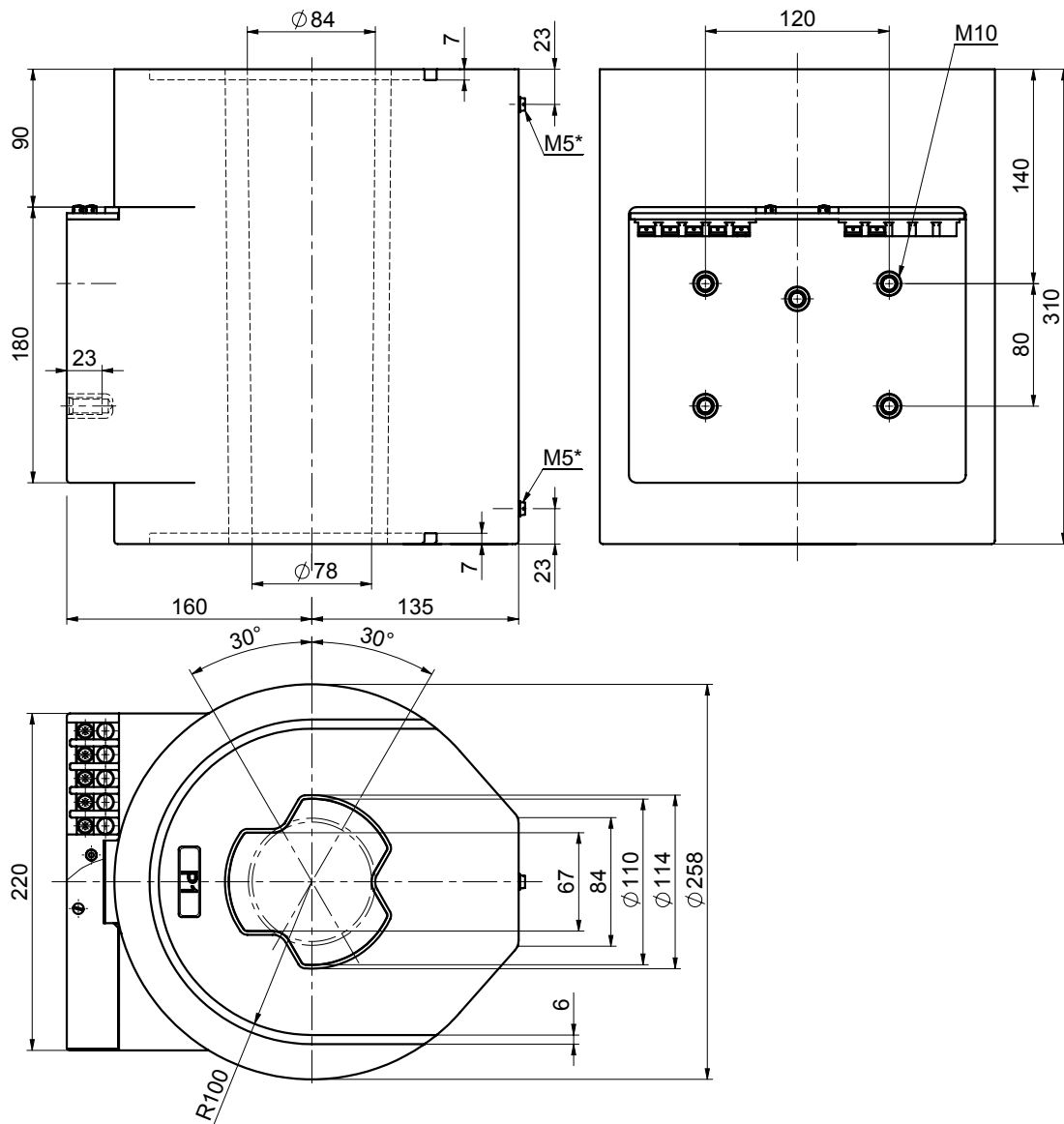


* M5 TERMINAL MUST BE CONNECTED TO THE PRIMARY BAR

Drawing n.	Polarity
44402520	P1 to secondary terminal
44402530	P2 to secondary terminal

—
KOKS 12 A 41
KOKS 17.5 A 41

Weight: 42 kg

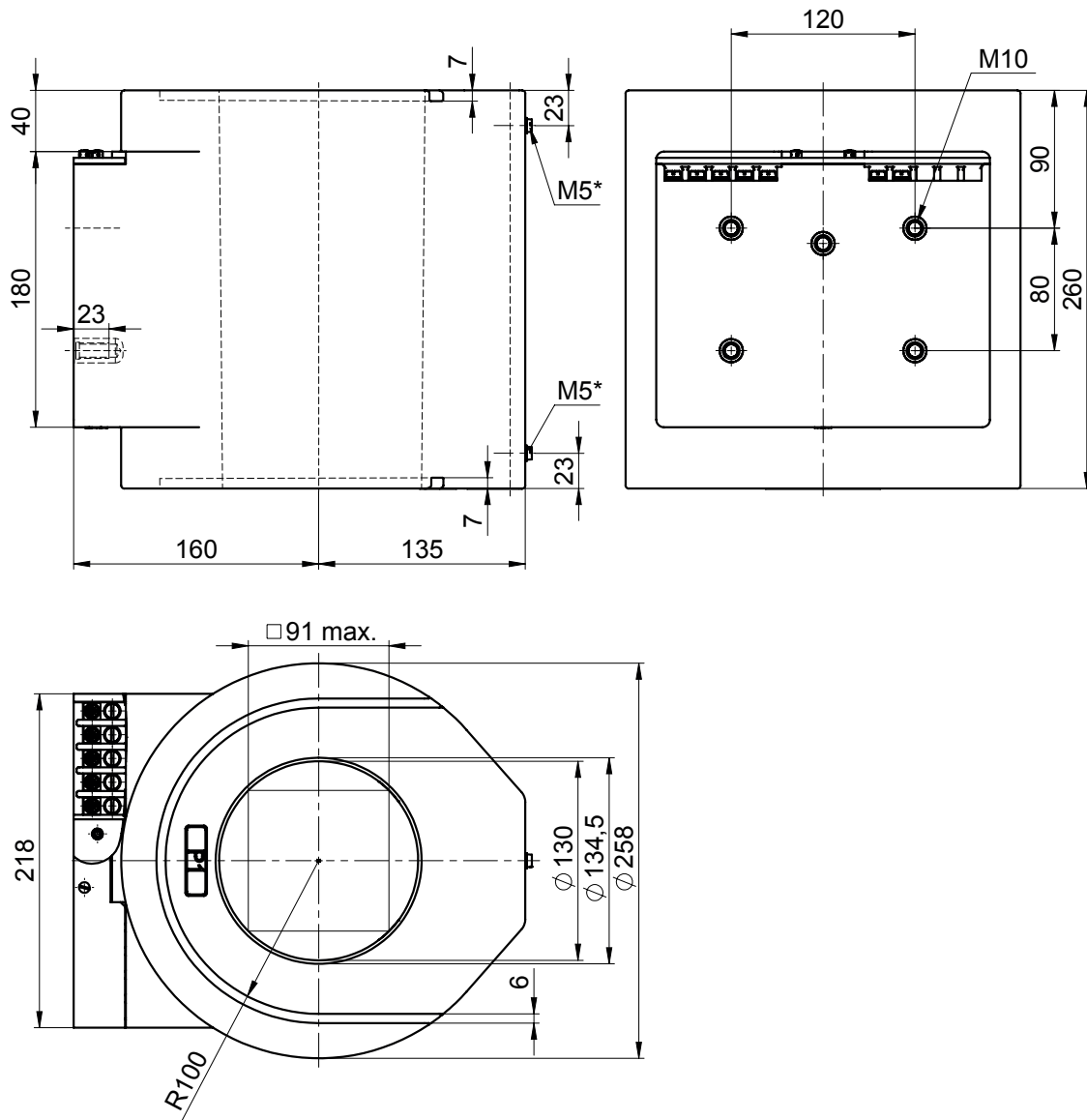


* M5 TERMINAL MUST BE CONNECTED TO THE PRIMARY BAR

Drawing n.	Polarity
44402540	P1 to secondary terminal
44402550	P2 to secondary terminal

KOKS 12 C 31
KOKS 17.5 C 31

Weight: 34 kg



* M5 TERMINAL MUST BE CONNECTED TO THE PRIMARY BAR

Drawing n.	Polarity
1VL4400076R0101	P1 to secondary terminal
1VL4400076R0102	P2 to secondary terminal

CONTACT US

ABB s.r.o.
EPDS Brno
Videnska 117, 619 00 Brno,
Czech Republic
Tel.: +420 547 152 021
+420 547 152 854
Fax: +420 547 152 626
E-mail: kontakt@cz.abb.com

NOTE

We reserve the right to make technical changes or modify the contents of this document without prior notice. With regard to purchase orders, the agreed particulars shall prevail. ABB does not accept any responsibility whatsoever for potential errors or possible lack of information in this document.

We reserve all rights in this document and in the subject matter and illustrations contained therein. Any reproduction, disclosure to third parties or utilization of its contents - in whole or in parts - is forbidden without prior written consent of ABB.

Copyright© 2019 ABB
All rights reserved