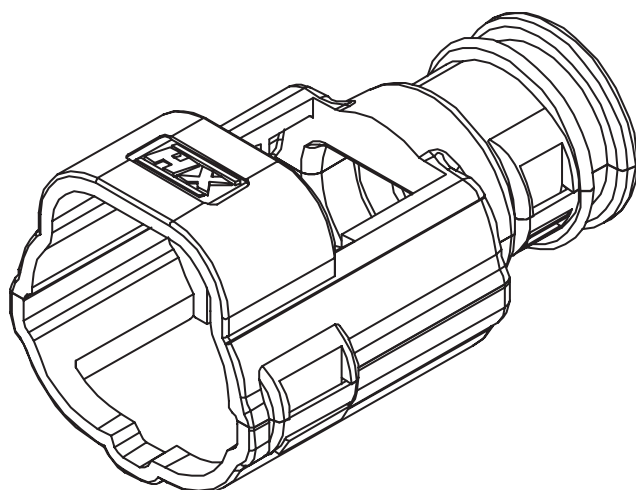


# Econoseal Series

## Backshell series for Econoseal J MK2 Connectors



Econoseal J MK2 plug and receptacle backshell interface for 2, 3 and 4 way connectors

### Features & Benefits:

- Provides a continuous connection between harness and connector.
- Mechanical protection and a degree of ingress protection against dust.
- Strain relief
- Abrasion and vibration protection
- protects from full force of jet washing

### Applications:

- Provides means to securely connect harness conduits to the harness connector
  - Suitable for plug type
  - Suitable for receptacle type

### Material:

- Polyamide 66 (Nylon)
  - UV Resistant
  - Heat Stabilised

### Temperature range:

- Normal use -40 to +120°C (-40 to +248)°F

### Ingress protection:

- IP40

### Chemical resistance guide:

- Please refer to TDS000081

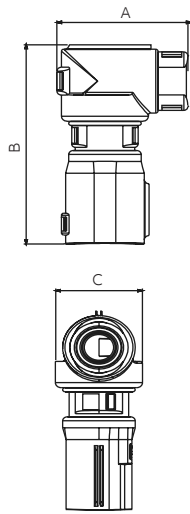
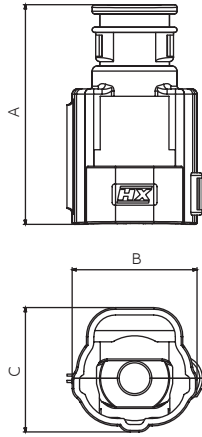
### Compatible with conduit types:

- All Harnessflex conduits

### Compatible with connector type

- TE Econoseal J Mk2
 

- 2 way plug -	174352-2
- 2 way receptacle -	174354-2
- 3 way plug -	174357-2
- 3 way receptacle -	174359-2
- 4 way plug -	174257-2
- 4 way receptacle -	174259-2



Product selection					
Part no:	Dimensions			Weight	Conduit Size (NC)
	A	B	C		
<b>Straight Interface Series</b>					
<b>Plug</b>					
CI08-ES2P	35.1	17.4	14.7	2.9 g	08
CI08-ES3P	34.9	22.9	14.7	2.9 g	08
CI10-ES4P	33.8	17.4	21.9	3.5 g	10
<b>Receptacle</b>					
CI08-ES2R	41.5	23.6	23.4	3.6 g	08
CI08-ES3R	47.2	27.4	24.0	5.1 g	08
CI10-ES4R	42.3	23.6	30.0	4.3 g	10

90° Elbow Interface Series					
<b>Plug</b>					
CI08-90-ES2P	28.7	50.2	19.3	5.4 g	08
CI10-90-ES2P	38.5	50.3	19.3	5.7 g	10
CI12-90-ES2P	29.3	56.5	19.3	5.5 g	12
CI08-90-ES3P	28.7	50.0	19.3	5.7 g	08
CI10-90-ES3P	38.5	50.0	19.3	5.8 g	10
CI12-90-ES3P	29.3	50.0	19.3	5.8 g	12
CI10-90-ES4P	38.5	49.3	21.9	2.8 g	10
CI12-90-ES4P	29.3	49.2	21.9	2.6 g	12
CI16-90-ES4P	33.6	50.2	21.9	6.0 g	16
<b>Receptacle</b>					
CI08-90-ES2R	28.7	56.5	23.4	4.1 g	08
CI10-90-ES2R	38.5	56.5	23.4	4.4 g	10
CI12-90-ES2R	29.3	56.5	23.4	4.1 g	12
CI08-90-ES3R	28.7	61.0	24.0	7.7 g	08
CI10-90-ES3R	38.5	61.0	24.0	8.0 g	10
CI12-90-ES3R	29.3	61.0	24.0	7.7 g	12
CI10-90-ES4R	38.5	56.4	30.0	5.2 g	10
CI12-90-ES4R	29.3	56.3	30.0	5.0 g	12
CI16-90-ES4R	33.6	58.3	30.0	6.0 g	16

Colour: Black as standard