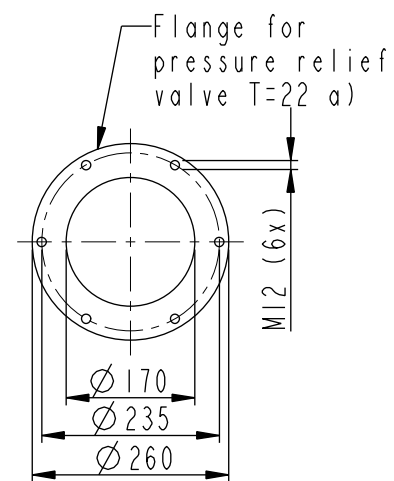
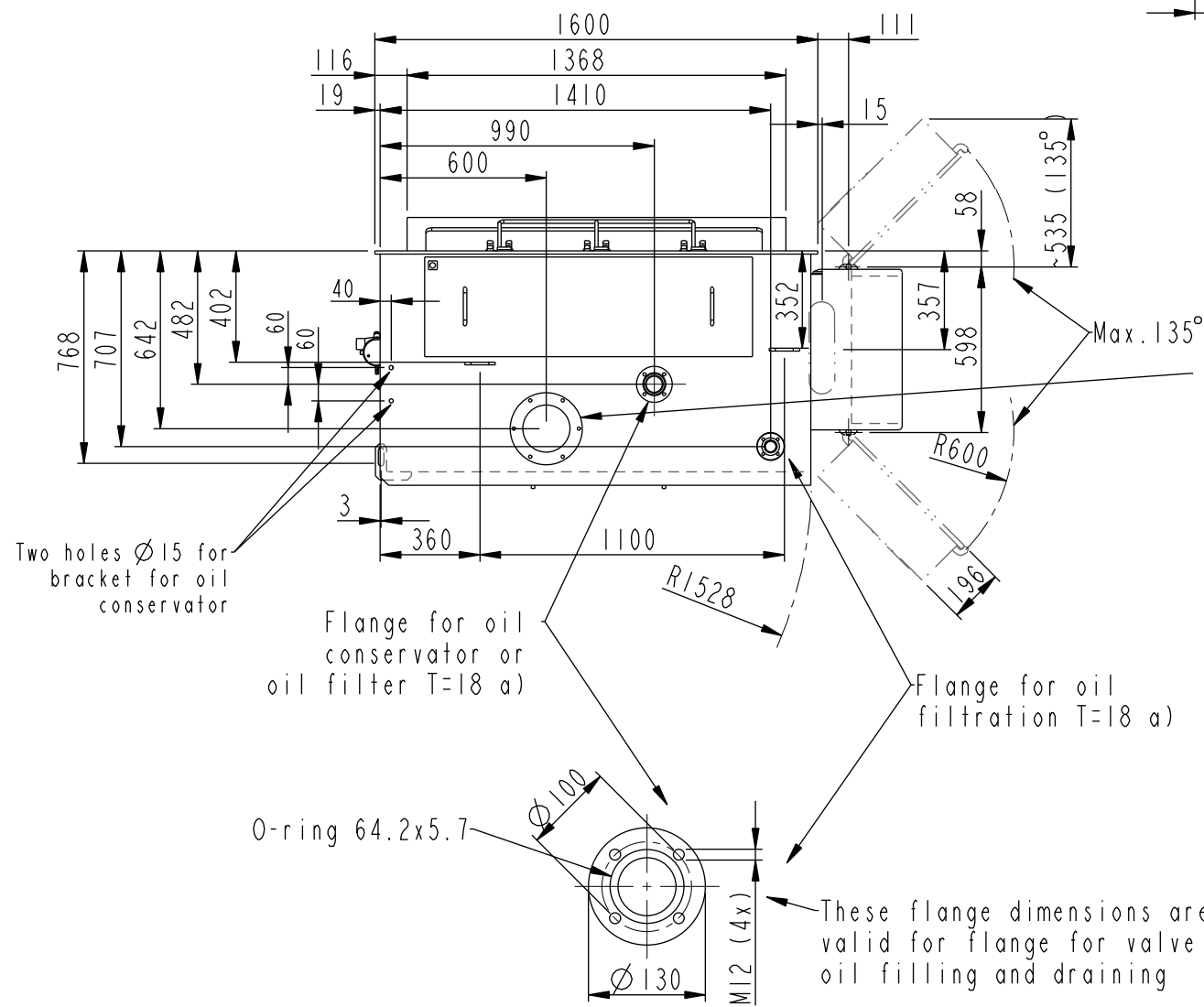
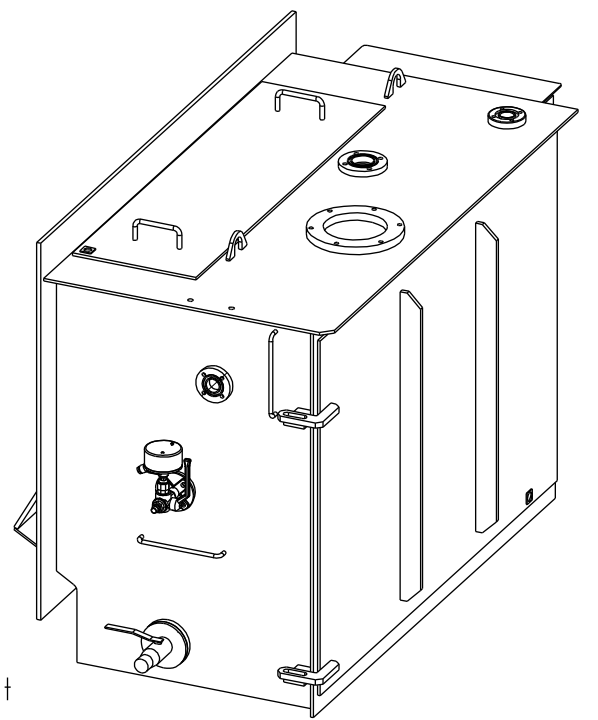
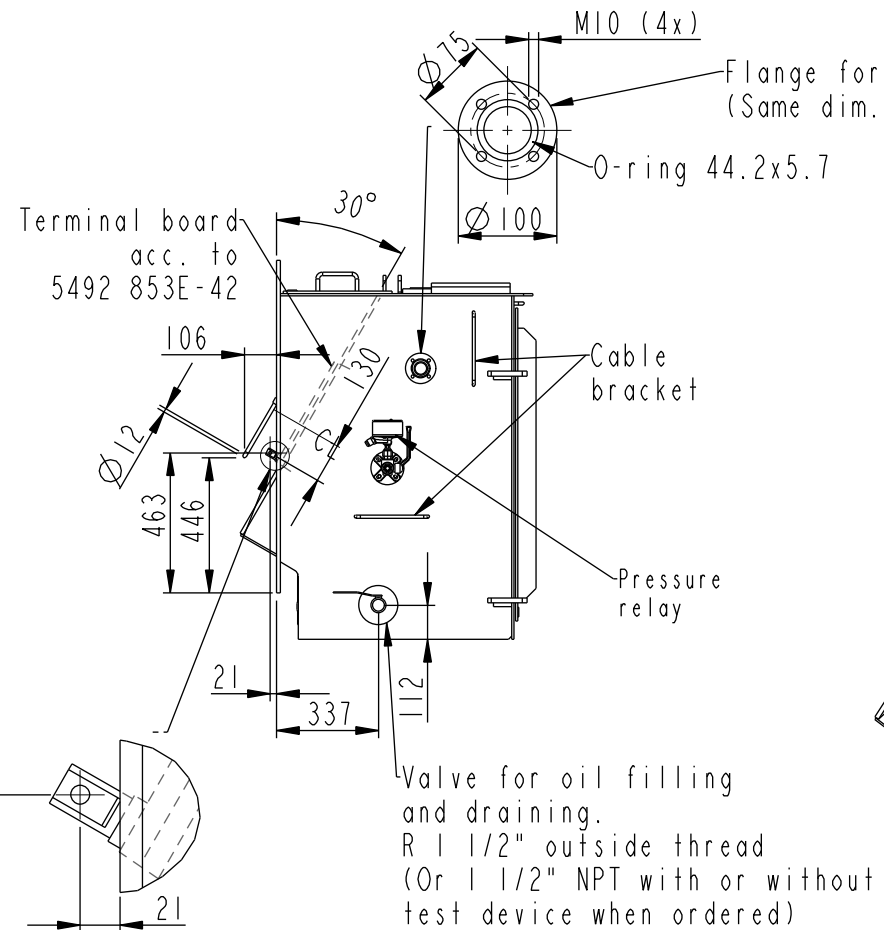
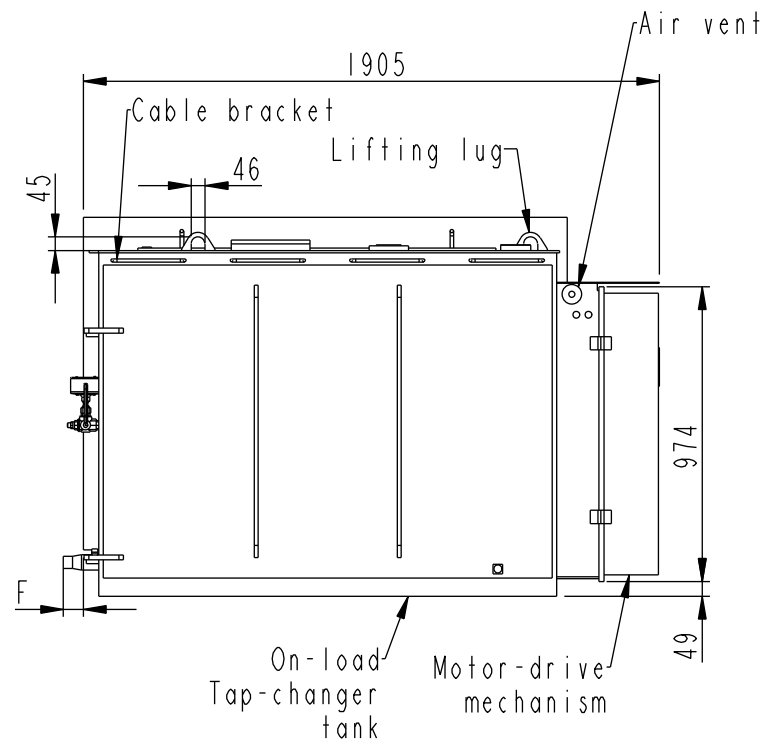


We reserve all rights in this document and in the information contained therein. Reproduction, use or disclosure to third parties without express authority is strictly forbidden. ©ABB

Valve	F
R 1 1/2"	69
I 1/2" NPT	59
I 1/2" NPT with test device	104

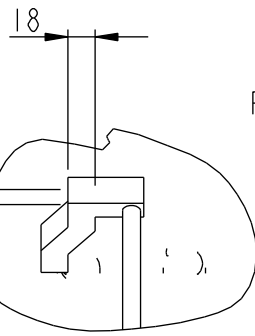
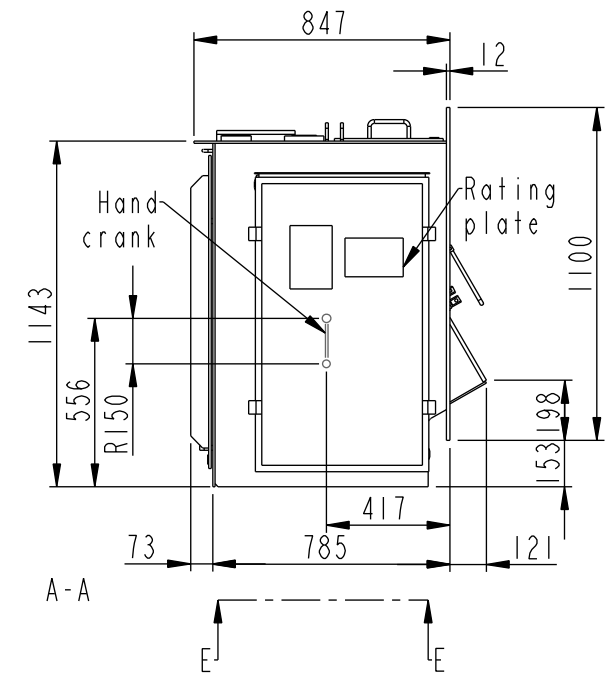
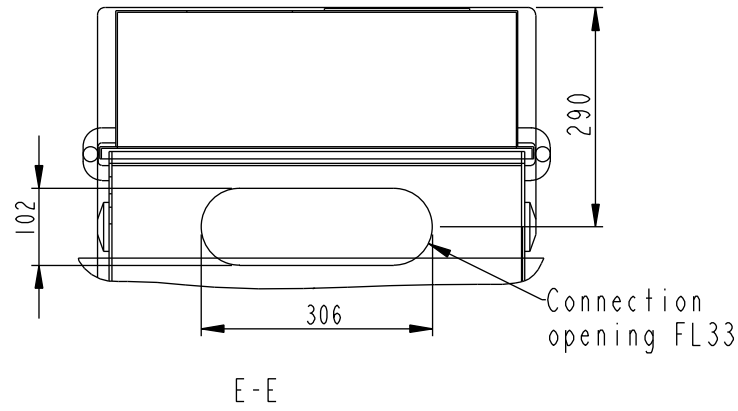
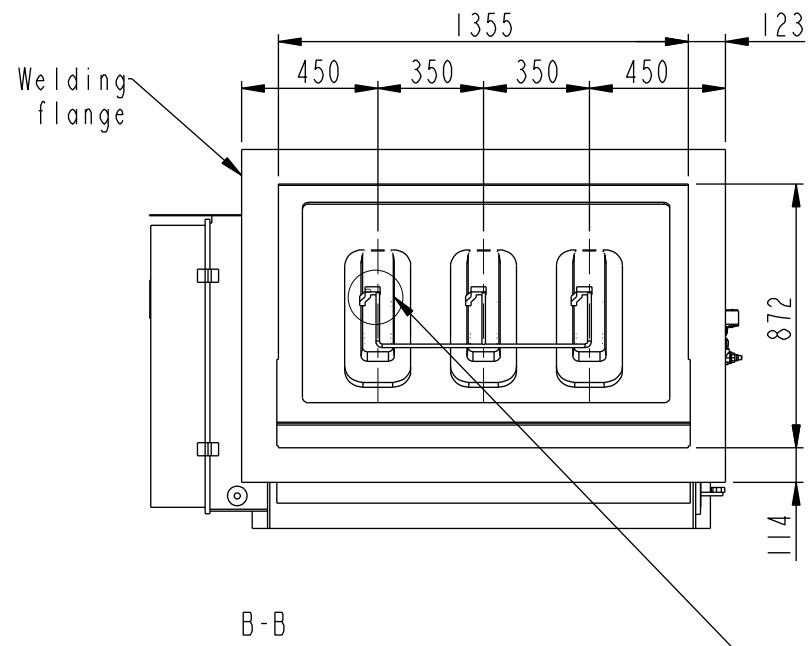


a) All flanges without accessories delivered with cover plates

Mass: 900 kg without oil  
 Required oil: 750 kg (860 litres)  
 Total mass: 1650 kg

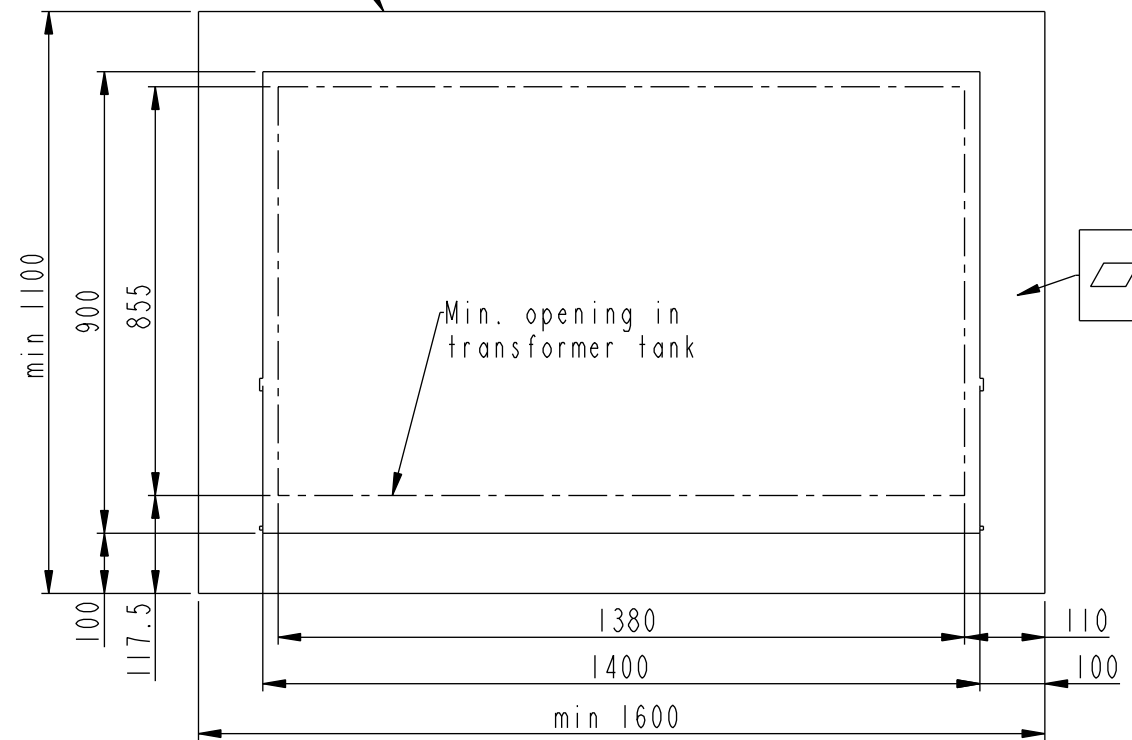
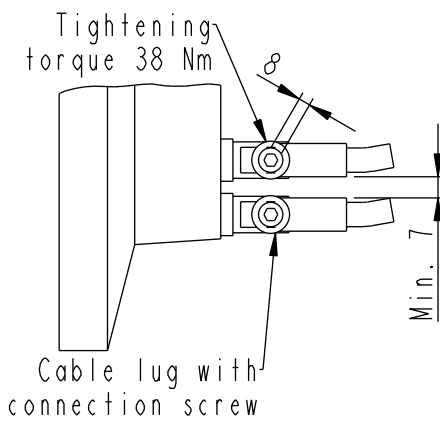
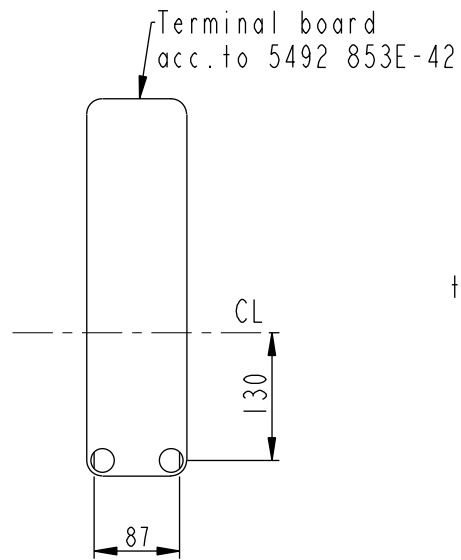
Based on	Reg. No.	Title	
Prepared T Sapila 96-10-03	Responsible department COM/TK	TAP-CHANGER UZF	Language en
Approved M Eriksson	Take over department	UZF.N, UZF.T 380KV	
Revision Rev.2 06-10-10	Database DIMENSION_DWGS	Standard tank. Welding flange	Page 1(2)
<b>ABB Components</b>		Document No. 54920090-7	

We reserve all rights in this document and in the information contained therein. Reproduction, use or disclosure to third parties without express authority is strictly forbidden. ©ABB



Flange and opening in transformer tank

Neutral end bar only for star point type



**ADDITIONAL DRAWINGS:**  
 Connection Diagrams: See Technical Guide UZ  
 Accessories: 54920090-9  
 Pressure Relay: 54920083-2  
 Oil Conservator: 54920090-11

Based on	Reg. No.	Title	
Prepared T Sapila 96-10-03	Responsible department COM/TK	TAP-CHANGER UZF UZF.N, UZF.T 380KV	 Language 82
Approved M Eriksson	Take over department		
Revision Rev. 2 06-10-10	Database DIMENSION_DWGS		Page 2(2)
<b>ABB</b> ABB Components		Document No.	54920090-7