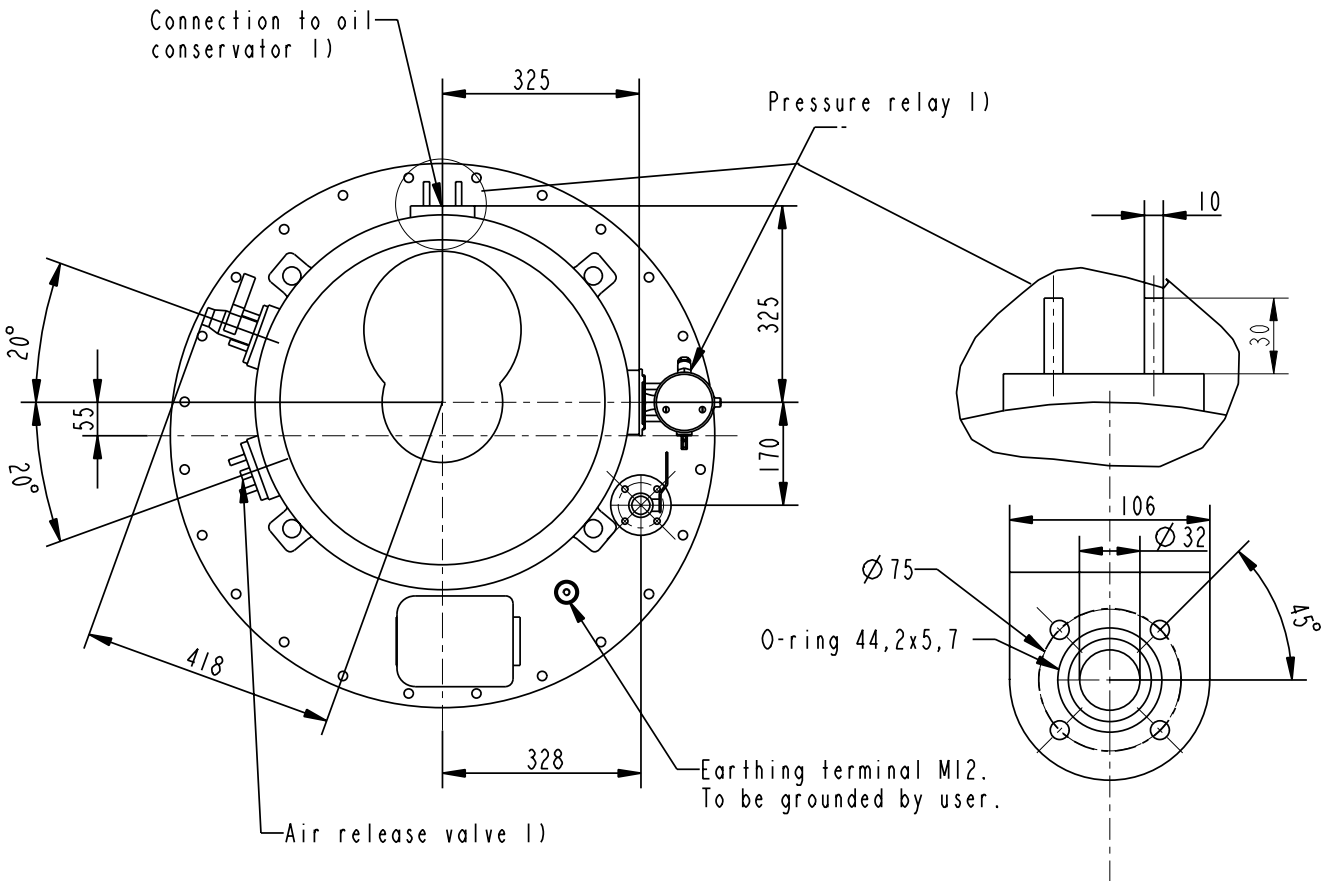
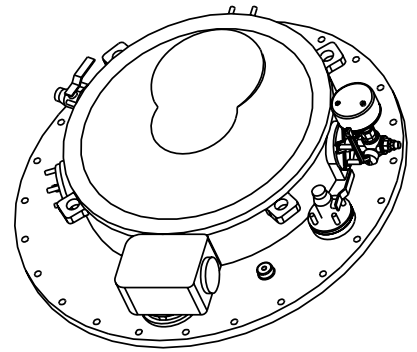
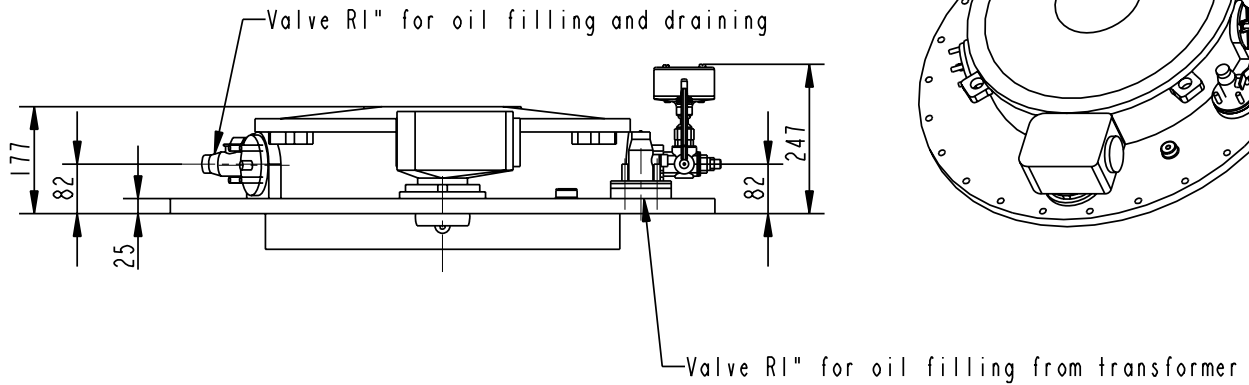


We reserve all rights in this document and in the information contained therein. Reproduction, use or disclosure to third parties without express authority is strictly forbidden. ©ABB

Production engineering review

Design engineering review

Inspection engineering review



Sheet 2 Fig 1-3 for pressure relief valve  
Sheet 2 Fig 4 for tempensor TEC + pressure relay

1) These are interchangeable

Based on	Reg. No.	Title	
Prepared B Hultgren 96-08-13	Responsible department COM/TK	TOP SECTION ACCESSORIES	
Approved M Eriksson	Take over department	UCL WITH TWO VALVES RI	
Revision Rev.6 2008-02-01	Database DIMENSION_DWGS	Cover and Active part mounting	
<b>ABB</b> ABB Components		Document No. 54920086-4	
		Language en	
		Page 1(2)	

PRESSURE RELIEF VALVE (Flow dia 133mm)

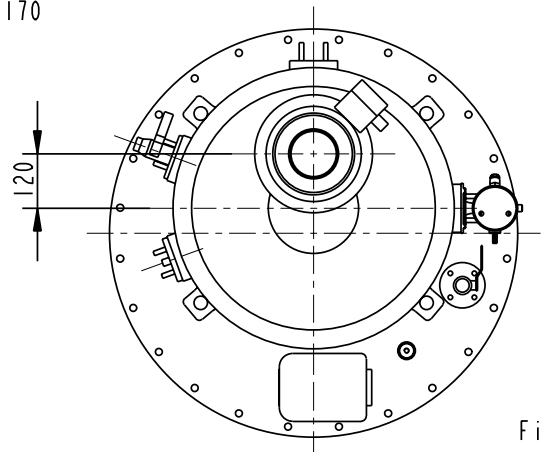
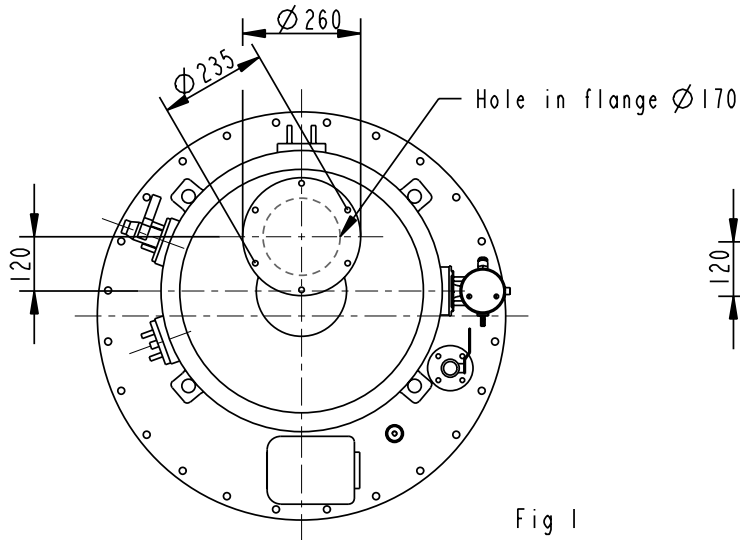
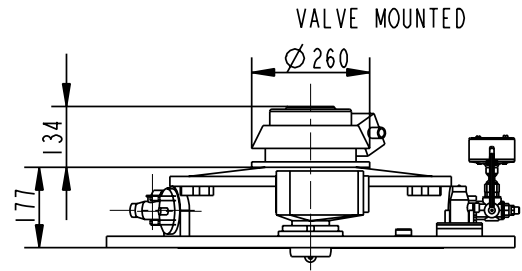
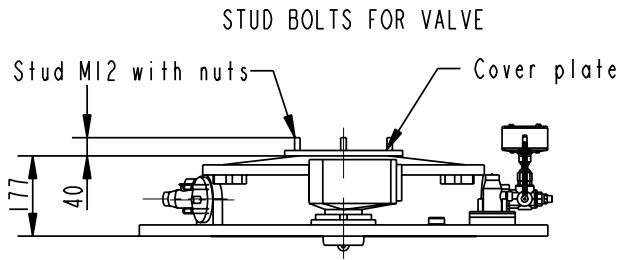


Fig 1

Fig 2

PRESSURE RELIEF VALVE (Flow dia 50mm)  
WITH COVER AND SIGNALLING SWITCH

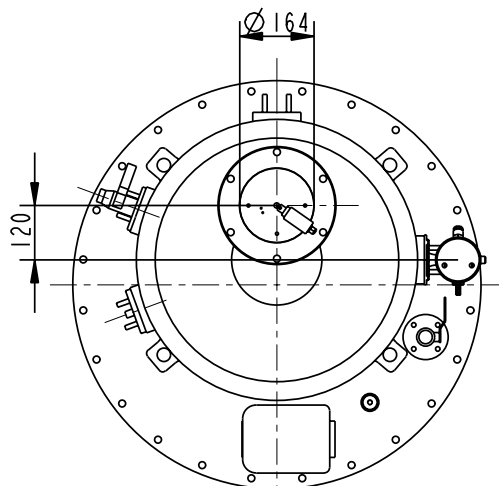
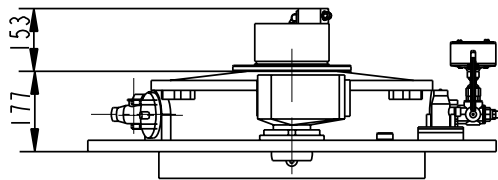


Fig 3

TEMPSENSOR  
WITH PRESSURE RELAY MOUNTED AT TEMPESENSOR HOUSING

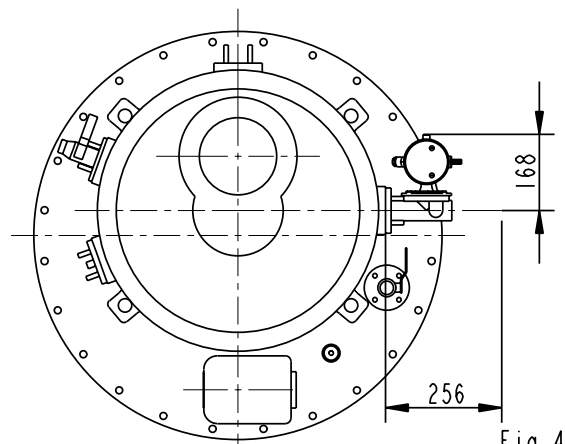
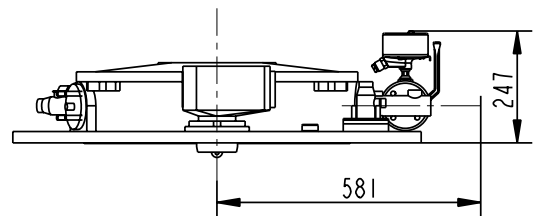


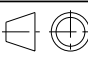
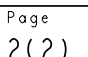

Fig 4

We reserve all rights in this document and in the information contained therein. Reproduction, use or disclosure to third parties without express authority is strictly forbidden. ©ABB

Production engineering review

Design engineering review

Inspection engineering review

Based on	Reg. No.	Title TOP SECTION ACCESSORIES UCL WITH TWO VALVES RI Cover and active part mounting	 Language en	
Prepared B Hultgren 96-08-13	Responsible department COM/TK			 Page 2(2)
Approved M Eriksson	Take over department			
Revision Rev.6 2008-02-01	Database DIMENSION_DWGS			Document No. 54920086-4
 <b>ABB Components</b>				