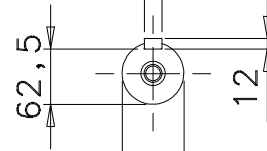
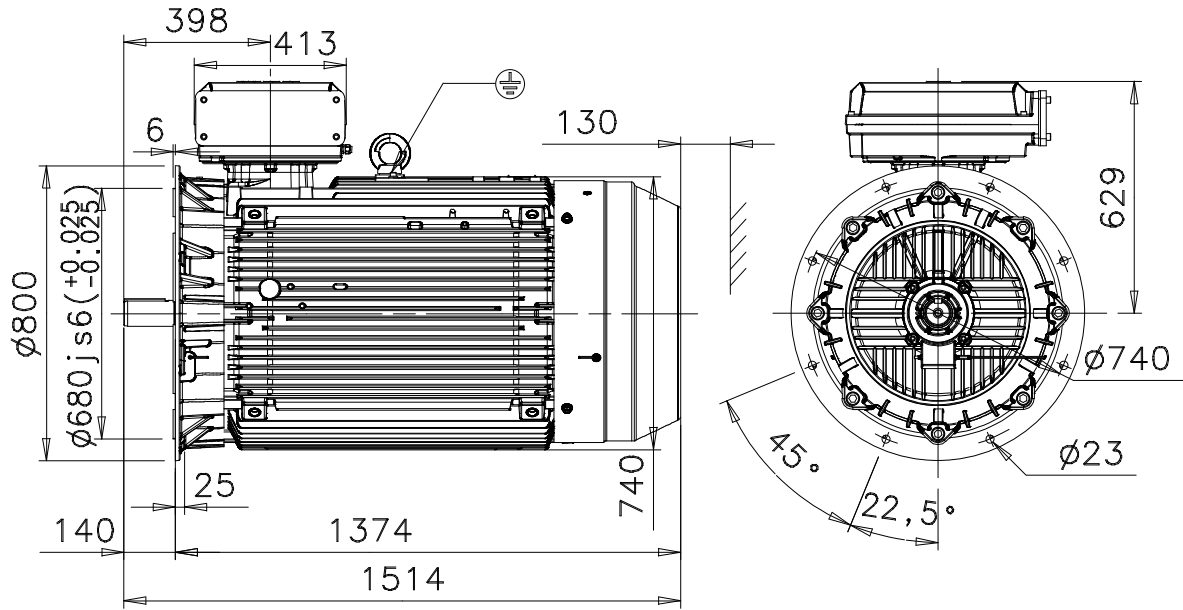


20h9(-0.052)



∅70m6(+0.030/+0.011)



Additional information:

<b>Dimension Print</b>	Motor Type: M3KP 355ML_2 B5, V3	Document No: 3GZF500135-32 B 13 KP 355 A
	Description: STANDARD SQUIRREL CAGE MOTOR, TERMINAL BOX 750	
Unit: Date:	Electrical Machines, LV Motors 03.04.2003	Issued by: Approved by:
		M.Ulvila M.Sevola
		Replaces: Replaced by:
<b>ABB Oy</b>	Customer Reference:	<b>ABB</b>