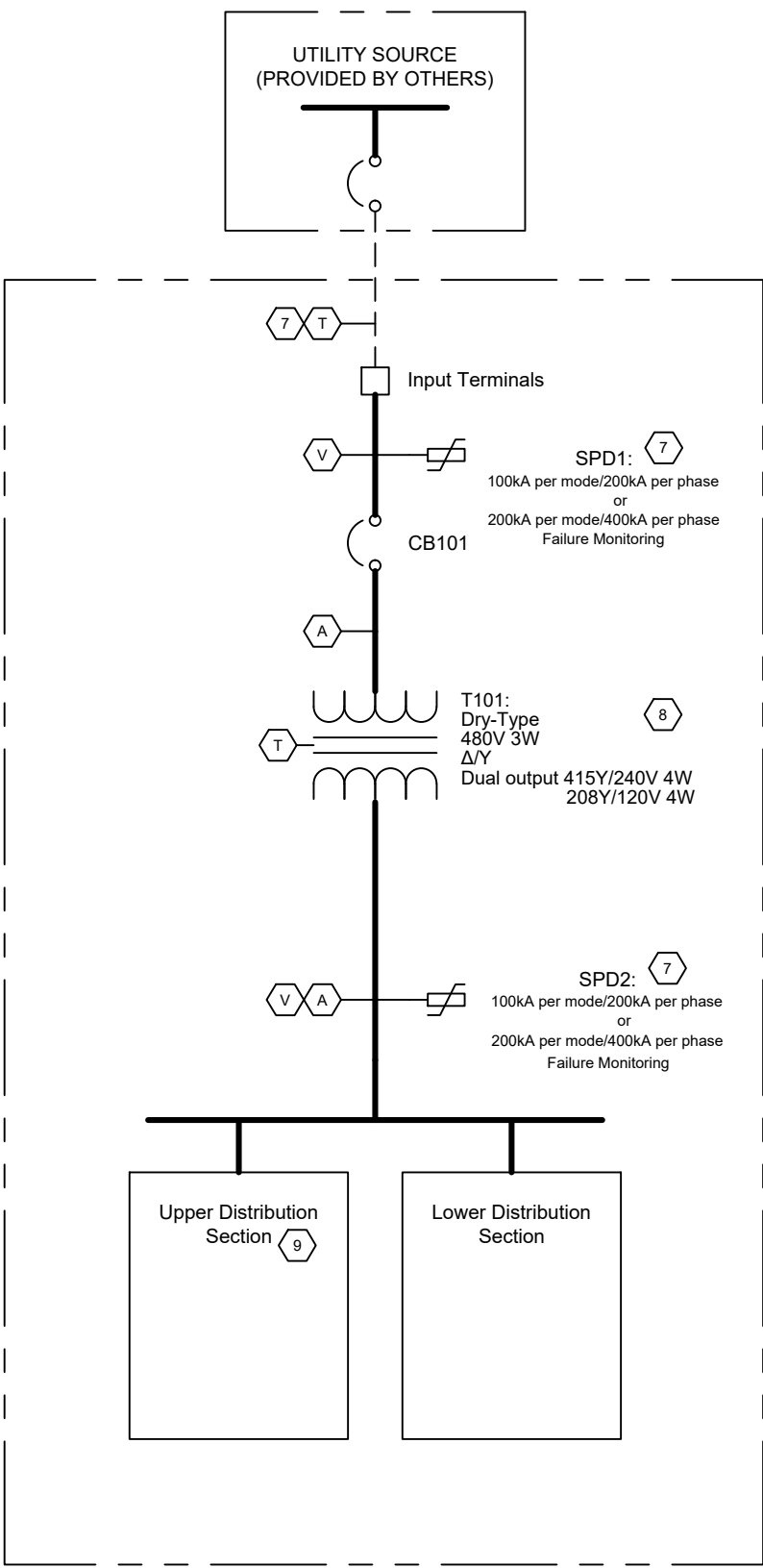


We reserve all rights in this document and in the information contained therein. Reproduction, use or disclosure to third parties without express authority is strictly forbidden. © Copyright 2022 ABB.

TABLE 1.1: OCPD RECOMMENDATIONS					
PDU RATING (kVA)	MAXIMUM AVAILABLE FAULT CURRENT (RMS SYMMETRICAL)	MAKE	MODEL	RATING	TYPE
400	65kA @ 480VAC 100kA @ 480VAC	ABB	Tmax XT XT5H Tmax XT XT5L	600AF / 600AT, 600V	3P MCCB
500	65kA @ 480VAC 100kA @ 480VAC	ABB	Tmax XT XT7H Tmax XT XT7L	800AF / 750AT, 600V	3P MCCB
600	65kA @ 480VAC 100kA @ 480VAC	ABB	Tmax XT XT7H Tmax XT XT7L	1200AF / 900AT, 600V	3P MCCB
750	65kA @ 480VAC 100kA @ 480VAC	ABB	Tmax XT XT7H Tmax XT XT7L	1200AF / 1150AT, 600V	3P MCCB
800	65kA @ 480VAC 100kA @ 480VAC	ABB	Tmax XT XT7H Tmax XT XT7L	1200AF / 1200AT, 600V	3P MCCB



**NOTES:**

- INSTALLATION SHALL COMPLY WITH ALL APPLICABLE NATIONAL, STATE, AND LOCAL CODES.
- REFER TO PRODUCT DOCUMENTATION FOR ADDITIONAL DETAILS PRIOR TO INSTALLATION AND SITE PREPARATION WORK.
- THE ONLINE DIAGRAM PROVIDES AN OVERVIEW OF THE POWER STAGE OF THE TYPICAL PDU AND IS NOT REPRESENTATIVE OF ITS PHYSICAL LAYOUT. REFER TO THE OUTLINE DIAGRAM FOR DETAILS.
- THE PDU IS DESIGNED FOR CONNECTION TO 480VAC 3φ SOLIDLY GROUND OR HIGH RESISTANCE GROUND SOURCES ONLY. CONTACT ABB IF OTHER.
- IF MAIN CIRCUIT BREAKER IS NOT PROVIDED ON THE PDU, THEN UPSTREAM OVERCURRENT PROTECTION IS REQUIRED. REFER TO TABLE 1.1 FOR RECOMMENDATIONS.
- MAXIMUM RATED SHORT CIRCUIT CURRENT IS 65kA OR 100kA, BASED ON SELECTED OPTION.
- OPTIONAL COMPONENT OR FEATURE THAT IS NOT INCLUDED IN BASE PDU CONFIGURATION, AND IS AVAILABLE UPON REQUEST.
- TRANSFORMER IS AVAILABLE IN BOTH COPPER AND ALUMINUM K-SERIES. FOR DUAL OUTPUT, ONLY ONE SECONDARY VOLTAGE CAN BE USED AT A TIME; BOTH OUTPUTS CANNOT BE USED TOGETHER SIMULTANEOUSLY. OUTPUT VOLTAGE CAN BE RETAPPED IN THE FIELD.
- UPPER DISTRIBUTION SECTION IS DEFAULT, AND WILL BE POPULATED BEFORE LOWER SECTION.

**Legend:**

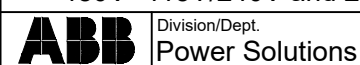
- Power Cable
- Power Cable (by others)
- Interlock
- Control
- Customer Terminal
- SPD (MOV)
- Circuit Breaker
- Transformer
- Current Sensing
- Voltage Sensing
- Temp. Sensing
- Keyed Note

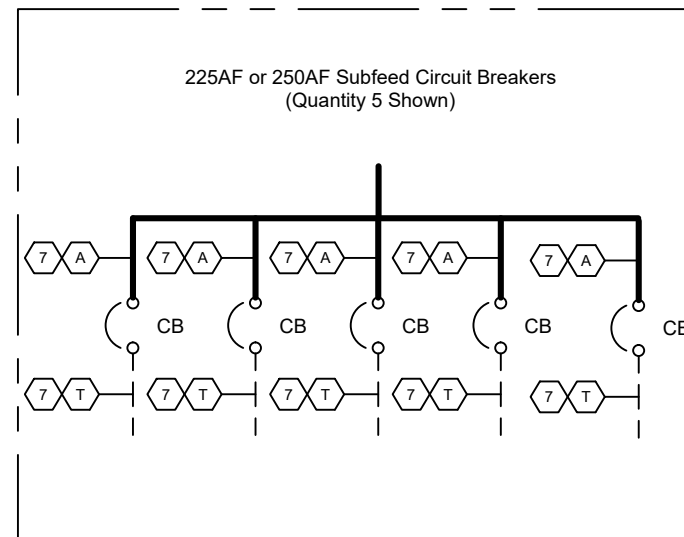
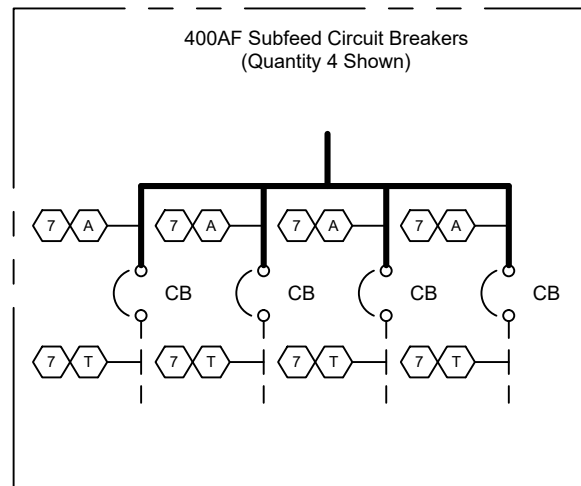
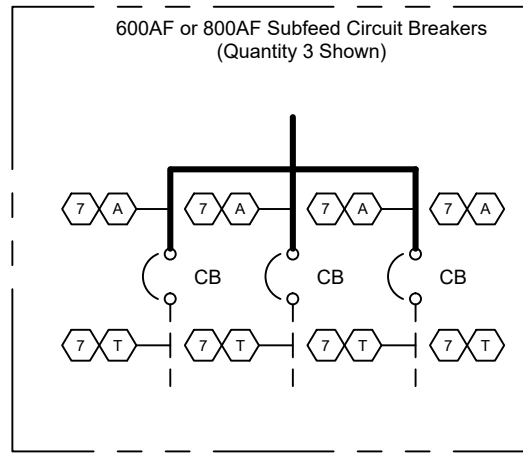
Loading Options for each Distribution Section:

- (1 to 3) 600A/800A Subfeeds  
or
- (1 to 4) 400A Subfeeds  
or
- (1 to 5) 225A/250A Subfeeds  
or
- Empty

Prepared <b>A. Cowan</b>	Title <b>ONLINE DIAGRAM: TruFit PDU, 400-800kVA, 480V- 415Y/240V and 208Y/120V</b>	Item ID <b>94-7300-00000444</b>	Item Rev. <b>A0</b>	Date Drawn <b>7/18/2022</b>
Reviewed <b>T. Kendzia</b>		Document ID <b>ONE-00089741</b>	Doc. Rev. <b>A0</b>	Sheet Size <b>B</b>
Approved		Document Kind <b>CircuitDiagram</b>	Page <b>1 / 2</b>	

Rev.	ECN#	Resp.	Description	Date
A0	--	FAC	Initial Release	10/20/2022





**NOTES:**

1. INSTALLATION SHALL COMPLY WITH ALL APPLICABLE NATIONAL, STATE, AND LOCAL CODES.
  2. REFER TO PRODUCT DOCUMENTATION FOR ADDITIONAL DETAILS PRIOR TO INSTALLATION AND SITE PREPARATION WORK.
  3. THE ONELINE DIAGRAM PROVIDES AN OVERVIEW OF THE POWER STAGE OF THE TYPICAL PDU AND IS NOT REPRESENTATIVE OF ITS PHYSICAL LAYOUT. REFER TO THE OUTLINE DIAGRAM FOR DETAILS.
  4. THE PDU IS DESIGNED FOR CONNECTION TO 480VAC 3 $\phi$  SOLIDLY GROUNDED OR HIGH RESISTANCE GROUNDED SOURCES ONLY. CONTACT ABB IF OTHER.
  5. UPSTREAM OVERCURRENT PROTECTION IS REQUIRED, REFER TO TABLE 1.1 FOR RECOMMENDATIONS.
  6. MAXIMUM RATED SHORT CIRCUIT CURRENT IS 65kA OR 100kA, BASED ON SELECTED OPTION.
- ⑦ OPTIONAL COMPONENT OR FEATURE THAT IS NOT INCLUDED IN BASE PDU CONFIGURATION, AND IS AVAILABLE UPON REQUEST.

Prepared <b>A. Cowan</b>	Title <b>ONELINE DIAGRAM: TruFit PDU, 400-800kVA, 480V- 415Y/240V and 208Y/120V</b>	Item ID <b>94-7300-00000444</b>	Item Rev. <b>A0</b>	Date Drawn <b>7/18/2022</b>
Reviewed <b>T. Kendzia</b>		Document ID <b>ONE-00089741</b>	Doc. Rev. <b>A0</b>	Sheet Size <b>B</b>
Approved	<b>ABB</b> Division/Dept. <b>Power Solutions</b>	Document Kind <b>CircuitDiagram</b>	Page <b>2 / 2</b>	