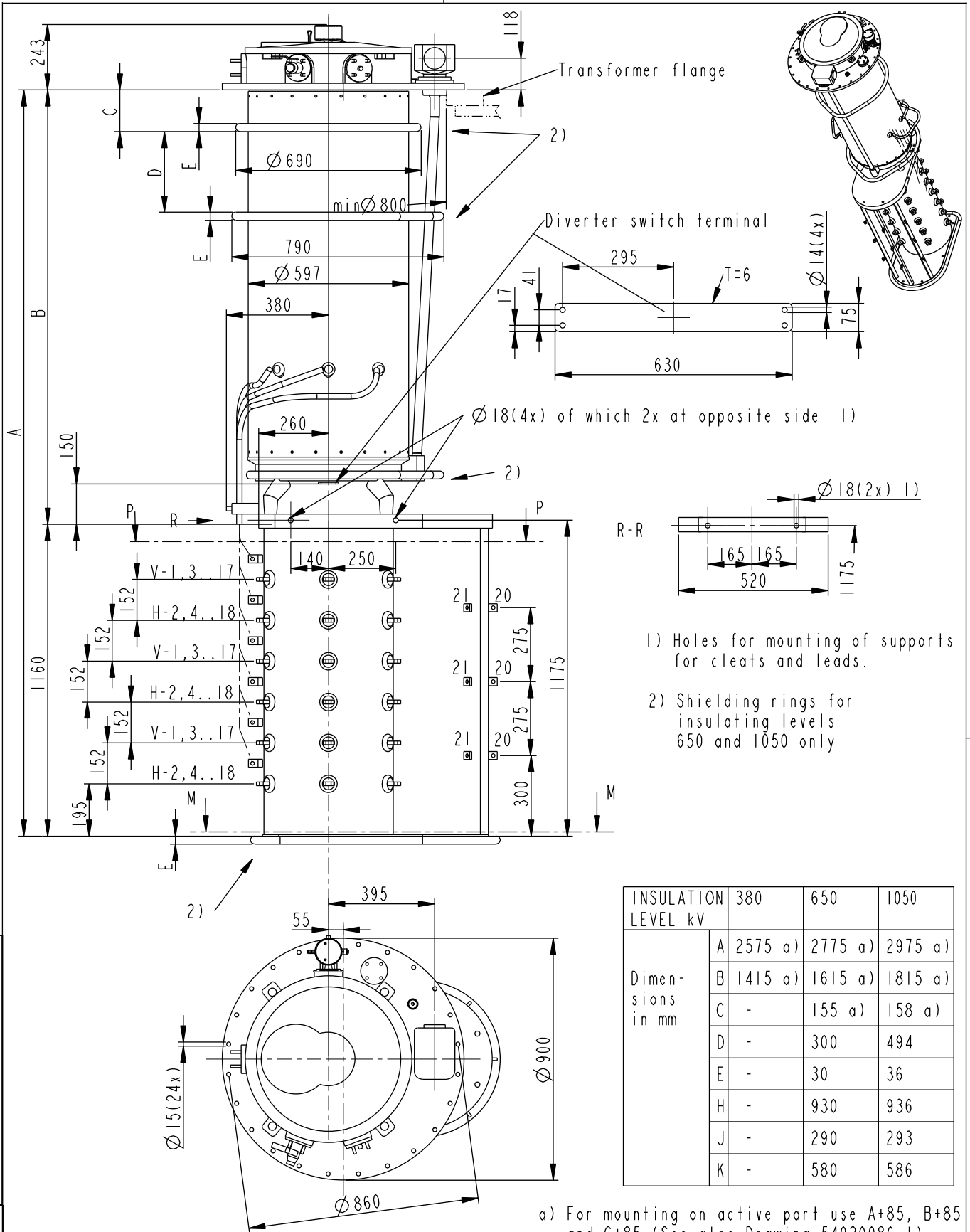


We reserve all rights in this document and in the information contained therein. Reproduction, use or disclosure to third parties without express authority is strictly forbidden. ©ABB



a) For mounting on active part use A+85, B+85 and C+85 (See also Drawing 54920086-1)

Based on	Reg. No.	Title TAP-CHANGER UCLR AND UCLD UCL.N XXXX/600/III	Language en	
Prepared B Hultgren 96-09-12	Responsible department COM/TK			11, 15, 16-19, 21-23, 25-27, 29-31, 33-35 POS
Approved M Eriksson	Take over department			
Revision Rev 4 06-10-06	Database DIMENSION_DWGS			
		Document No.	54920085-10	

Inspection engineering review

Production engineering review

Design engineering review

ABB Components

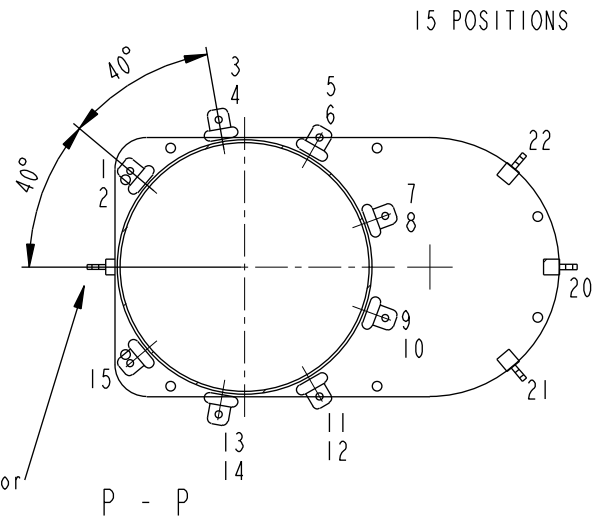
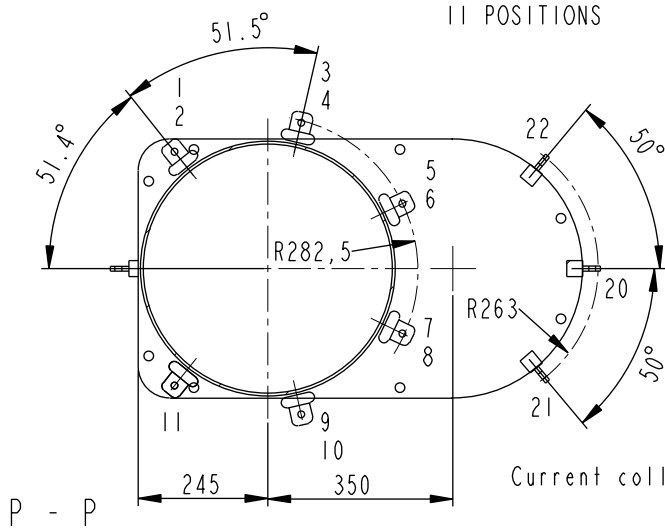
54920085-10

Page
1(3)

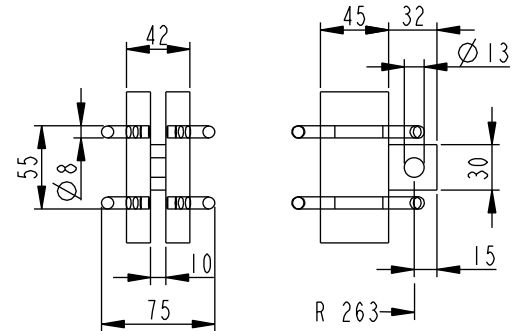
We reserve all rights in this document and in the information contained therein. Reproduction, use or disclosure to third parties without express authority is strictly forbidden. ©ABB

Production engineering review

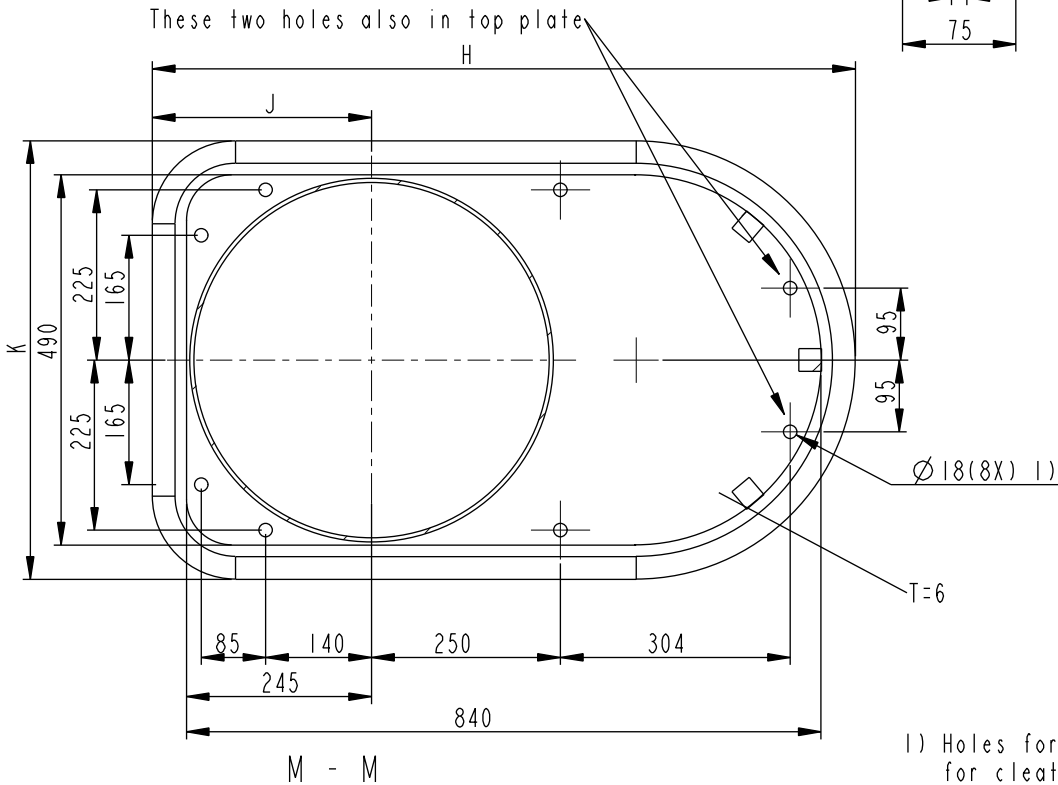
Design engineering review



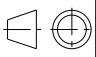

Tap selector contact 20,21,22 with shields



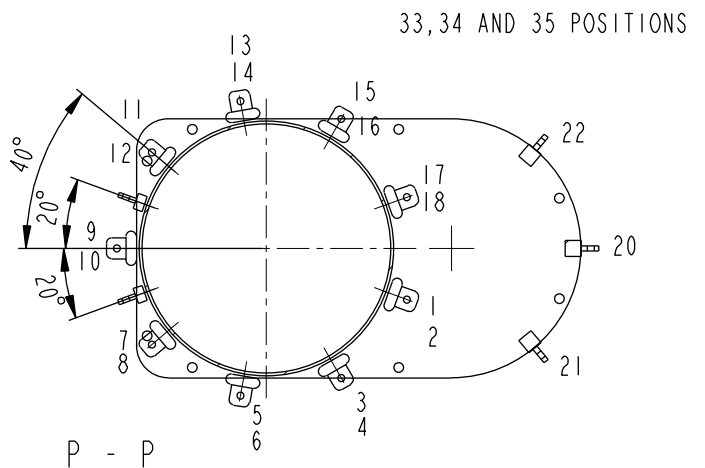
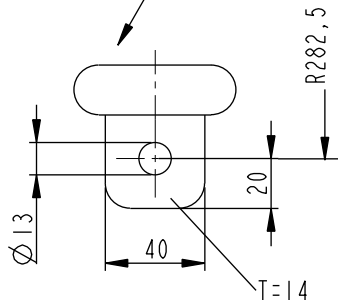
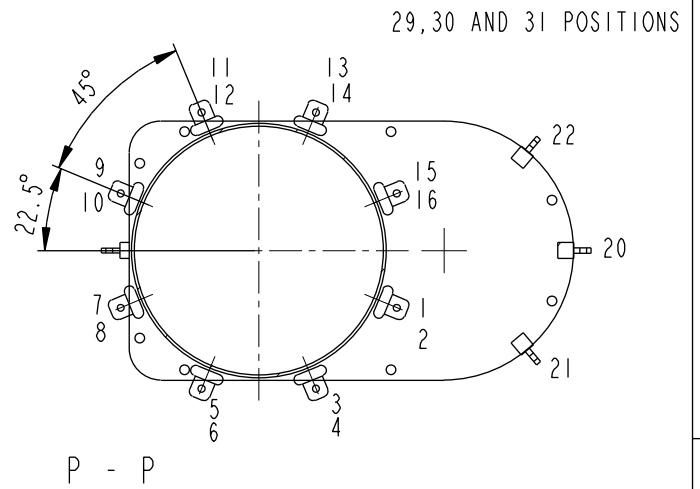
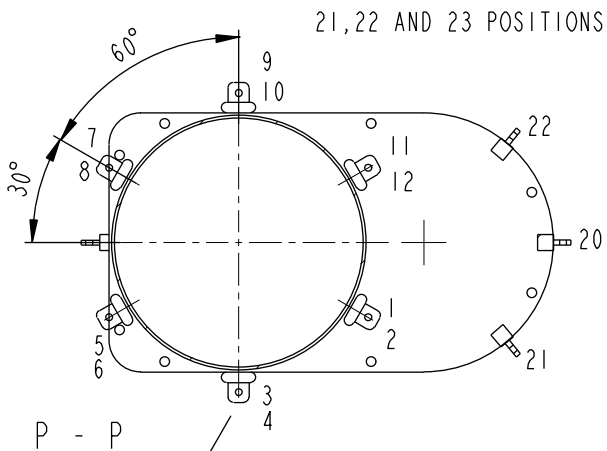
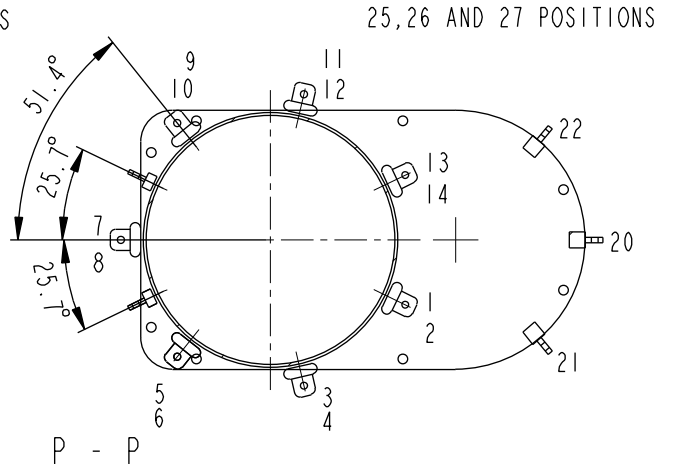
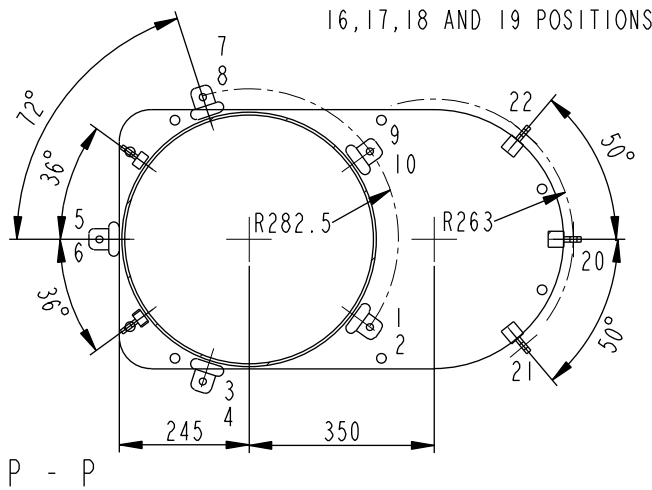
Values for dim. H, J and K in table on page 1



1) Holes for mounting of supports for cleats and leads

Based on	Reg. No.	Title	
Prepared B Hultgren 96-09-12	Responsible department COM/TK		
Approved M Eriksson	Take over department	Language en	
Revision Rev.4 06-10-16	Database DIMENSION_DWGS	Page 2(3)	
 ABB Components		Document No.	54920085-10

We reserve all rights in this document and in the information contained therein. Reproduction, use or disclosure to third parties without express authority is strictly forbidden. ©ABB



ADDITIONAL DRAWINGS:
 Connection Diagrams: See Technical Guide UC
 Mounting on active part: 54920086-1
 Accessories: 54920086-2
 Motor Drive BUL: 54830001-1
 Motor Drive BUE: 54830001-2 or -3
 External Drive Shaft: 54920083-4
 Pressure Relay: 54920083-2
 Bevel Gear: 54920083-1

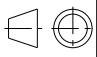
Inspection engineering review	Production engineering review	Based on	Reg. No.	Title TAP-CHANGER UCLR AND UCLD UCL.N XXXX/600/III	 Language en
Design engineering review	Prepared B Hultgren 96-09-12	Responsible department COM/TK	Take over department		
	Approved M Eriksson	Database DIMENSION_DWGS		Document No. 54920085-10	
	Revision Rev.4 06-10-16				



ABB Components