



Contact us

ABB Oy

Muuttitie 2A 65320

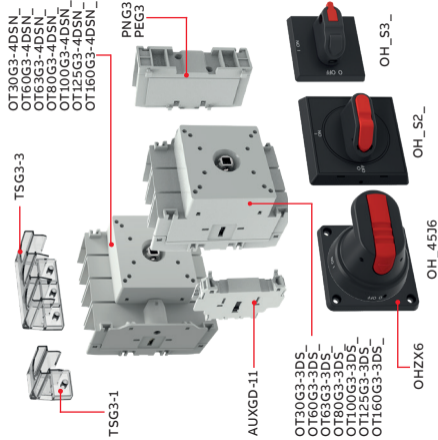
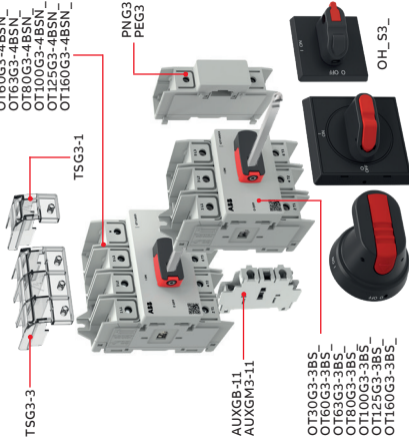
Vaasa, Finland

abb.com/lowvoltage

© Copyright 2025 ABB. All rights reserved.
Specifications subject to change without notice.

34OT_G3-34 rev. C / 15CC301127M0201 # 28.02.2025

OT Plus OT30...160G3-



Mounting

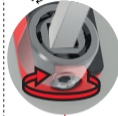
1 Nm
9 lb.in
M4

Ø 4.5mm
0.18 in

IEC60715

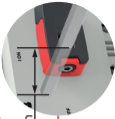
35 mm
1.37 in

Hex
4 mm
6 Nm
53 lb.in



1.2 Nm
10.6 lb.in

Hex
2.5 mm



15...27 mm
0.59...1.06 in

Padlock

Ø5...6 mm
0.20...0.23 in



OFF

Adjustable neutral pole timing



ON



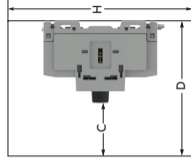
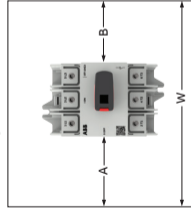
2 Simultaneous (default)

1

2 Early-make
Late-break

1

Clearances per UL98



Minimum enclosure size or equivalent volume

	H	W	D	A	B	C
OT30G3-	203 mm	152 mm	102 mm	0	0	13 mm
OT60G3-	8 in	6 in	4 in	4 in	4 in	0.5 in
OT100G3-	300 mm	200 mm	135 mm	0	0	13 mm
	11.8 in	7.9 in	5.3 in	5.3 in	5.3 in	0.5 in

Wire type 1 Wire 2 Wire Stripping Tightening torque

Wire type	1 Wire	2 Wire	Stripping length	Tightening torque
Class 5-Flexible	4-70	4-25		
Class 2-Stranded	4-70	4-25		
Class 6-Very flexible with ferrule	2.5-4	2.5-4		
Class 1-Solid	2.5-6	2.5-6		
UL - CU wire size (AWG)	12-2/0			



Warning! Hazardous voltage! Installation by person with electrotechnical expertise only.

