
OPTIONS FOR ABB DRIVES

Prevention of unexpected start-up (option +Q950) for ACS880-07, -07LC, -17, -17LC, -37, and -37LC drives

User's manual



Prevention of unexpected start-up (option +Q950) for ACS880-07, -07LC, -17, -17LC, -37, and -37LC drives

User's manual

Table of contents



1. Safety instructions



4. Electrical installation



7. Start-up and validation test



3AUA0000145922 Rev J

EN

Original instructions

EFFECTIVE: 2024-12-02

Table of contents

1 Safety instructions

Contents of this chapter	7
Safety messages	7
Instructions for functional safety circuits	8
Electrical safety precautions	9

2 Introduction to the manual

Contents of this chapter	11
Applicability	11
Target audience	12
Exclusion of liability	12
Quick reference guide for taking a safety function into use	12
Related manuals	12
Terms and abbreviations	14

3 Option description

Contents of this chapter	15
Overview	15
Summary of wirings and settings	16
Operation principle	17
Time scheme	17
Operation principle diagram	18
Fault reaction function	19
FSO module	19
Resetting the FSO module	19
Drive STO function	19

4 Electrical installation

Contents of this chapter	21
Wiring	21

5 Parameter settings

Contents of this chapter	23
Competence	23
FSO module parameter settings	23
General parameters	24
Parameters for the STO function	25
Parameters for the SSE function	25
Parameters for the POUS function	26
Drive parameter settings	28

6 Use of the safety function

Contents of this chapter	29
Activating the safety function	29



Resetting the safety function 29

7 Start-up and validation test

Contents of this chapter 31
 Validation of the safety functions 31
 Competence 31
 Validation procedure 31
 Validation test reports 32
 Start-up and validation test 32

8 Fault tracing

Contents of this chapter 35
 Fault tracing 35
 STO circuit connections 35
 Other 35
 Reporting problems and failures related to safety functions 35

9 Maintenance

Contents of this chapter 37
 Safety circuit maintenance 37
 Proof test interval 37
 Functional safety components 38
 Competence 38
 Residual risk 38
 Intentional misuse 38
 Decommissioning 39

10 Technical data

Contents of this chapter 41
 Safety data 41
 Safety data values 41
 Safety component types 42
 Safety block diagrams 42
 Relevant failure modes 42
 Fault exclusions 43
 Operation delays 43
 Ambient conditions 43
 Related standards and directives 43
 Compliance with the European Machinery Directive 44
 Compliance with the Supply of Machinery (Safety) Regulations (UK) 44

Further information



1

Safety instructions

Contents of this chapter

This chapter contains the safety instructions which you must obey when you install, operate and do maintenance on the safety functions of a drive.

Safety messages

These safety messages help to prevent personal injury and damage to the equipment. The hazard levels comply with standard ANSI Z535.6.

The manual uses these warning symbols:



▲DANGER Indicates a hazardous situation which, if not avoided, will result in death or serious injury.



▲WARNING Indicates a hazardous situation which, if not avoided, could result in death or serious injury.



▲CAUTION Indicates a hazardous situation which, if not avoided, could result in minor or moderate injury.

NOTICE Is used to address practices not related to physical injury, but which can result in equipment damage.



Instructions for functional safety circuits

This manual does not contain the complete safety instructions of the drive. It only includes the instructions related to the scope of this manual.



▲WARNING Obey these instructions and the safety instructions of the drive. If you ignore them, injury or death, or damage to the equipment can occur.

- Only a qualified electrical professional who has sufficient knowledge about functional, machine, and process safety is permitted to install, start up and maintain the safety circuit. All user-made changes are on the user's responsibility.
- The safety function described in this manual does isolate the main or auxiliary circuits from the power supply. Before you do work on the drive, or its main or auxiliary circuits, do the steps in section [Electrical safety precautions \(page 9\)](#).
- (With permanent magnet or synchronous reluctance [SynRM] motors only)
In case of a multiple IGBT power semiconductor failure, the drive system can produce an alignment torque which maximally rotates the motor shaft by $180/p$ (with permanent magnet motors) or $180/2p$ (with synchronous reluctance [SynRM] motors) degrees regardless of the activation of the Safe torque off function. p denotes the number of pole pairs.
- Do the validation test of the safety function at the start-up and also after you make changes to the safety circuit.
- Make sure that the functional safety of the machine is maintained in situations where the safety option does not provide protection, for example, during commissioning, system maintenance, fault tracing, or decommissioning.



Electrical safety precautions

These electrical safety precautions are for all persons who do work on the drive, motor cable or motor.



⚠ WARNING Obey these instructions. If you ignore them, injury or death, or damage to the equipment can occur. If you are not a qualified electrical professional, do not do electrical installation or maintenance work. Do these steps before you do installation or maintenance work.

1. Prepare for the work.
 - Make sure that you have a work order.
 - Do an on-site risk assessment or job hazard analysis.
 - Make sure that you have the correct tools available.
 - Make sure that the workers are qualified.
 - Select the correct personal protective equipment (PPE).
 - Stop the drive and motor(s).
2. Clearly identify the work location and equipment.
3. Disconnect all possible voltage sources. Make sure that connection is not possible. Lock out and tag out.
 - Open the main disconnecting device of the drive.
 - Open the charging switch if it is present.
 - Open the disconnecter of the supply transformer. (The main disconnecting device in the drive cabinet does not disconnect the voltage from the AC input power busbars of the drive cabinet.)
 - Open the auxiliary voltage switch-disconnector (if it is present), and all other possible disconnecting devices that isolate the drive from dangerous voltage sources.
 - In the liquid cooling unit (if present), open the switch-disconnector of the cooling pumps.
 - If there is a permanent magnet motor connected to the drive, disconnect the motor from the drive with a safety switch or by other means.
 - Open the main isolating device of the drive.
 - Disconnect all dangerous external voltages from the control circuits.
 - After you disconnect power from the drive, wait 5 minutes to let the intermediate circuit capacitors discharge before you continue.
4. Protect other energized parts in the work location against contact and take special precautions when close to bare conductors.
5. Measure that the installation is de-energized. Use a high-quality voltage tester. If the measurement requires that you remove shrouding or other cabinet structures, obey the local laws and regulations applicable to live electrical work. This includes, but is not limited to, electric shock and arc protection.
 - Before and after you measure the installation, verify the operation of the voltage tester on a known voltage source.
 - Make sure that the voltage between the input power terminals of the drive (L1, L2, L3) and the grounding (PE) busbar is zero.
 - Make sure that the voltage between the output power terminals of the drive (U, V, W) and the grounding (PE) busbar is zero.

Important! Repeat the measurement with the DC voltage setting of the voltage tester. Measure between each phase and ground. There is a risk of dangerous DC voltage charging due to leakage capacitances of the motor circuit. This



10 Safety instructions

voltage can remain charged for a long time after the drive power-off. The measurement discharges the voltage.

- Make sure that the voltage between the drive DC busbars and the grounding (PE) busbar is zero.



▲WARNING The busbars inside the cabinet of liquid-cooled drives are partially coated. Measurements made through the coating are potentially unreliable, so only measure at uncoated portions. Note that the coating does not constitute a safe or touch-proof insulation.

6. Install temporary grounding as required by the local regulations.
7. Ask for a permit to work from the person that is responsible for the electrical installation work.





Introduction to the manual

Contents of this chapter

This chapter describes the manual in short and gives some general information for the reader. This chapter also contains a quick reference guide for implementing a safety system.

Applicability

This manual is applicable to ACS880-07, -07LC, -17, -17LC, -37, and -37LC drives which have the option: Prevention of unexpected start-up with STO, with FSO (option +Q950).

Required versions with the FSO-12 module:

- Drives with a UCU-22, -23, or -24 control unit: UCON-22 control board, revision K or later¹⁾
- ACS880 primary control program (AINLX) version 1.80 or later, or ACS880 primary control program (YINLX) version 1.30 or later
- FSO-12 safety functions module: revision C or later
- Drive Composer pro: 1.6 or later.

¹⁾ The control board revision is shown on a sticker on the control unit.

Required versions with the FSO-21 module:

- Drives with a UCU-22, -23, or -24 control unit: UCON-22 control board, revision K or later¹⁾
 - ACS880 primary control program (AINLX) version 2.2 or later, or ACS880 primary control program (YINLX) version 1.30 or later
 - FSO-21 safety functions module: revision D or later
-

- FSE-31 pulse encoder interface module: revision D or later (if used)
- Drive Composer pro: 1.8 or later.

1) The control board revision is shown on a sticker on the control unit.

This manual shows the default design of the safety circuit ordered with option code +Q950. The actual design can be different from the default design because of customer-defined modifications. Always refer to the documentation delivered with the drive.

Target audience

This manual is intended for people who install, commission, use and service the safety function. Read the manual before working on the unit. You are expected to know the fundamentals of electricity, wiring, electrical components, electrical schematic symbols, and functional safety.

Exclusion of liability

ABB is not responsible for the implementation, verification and validation of the overall safety system. It is the responsibility of the system integrator (or other party) who is responsible for the overall system and system safety.

The system integrator (or other responsible party) must make sure that the entire implementation complies with the instructions in this manual, all relevant standards, directives and local electrical code, and that the system is tested, verified and validated correctly.

Quick reference guide for taking a safety function into use

Task	<input checked="" type="checkbox"/>
Connect the customer-defined wiring (if any). Refer to the wiring instructions in this manual and the circuit diagrams delivered with the drive.	<input type="checkbox"/>
Check and/or set the safety function related parameters (as listed in this manual).	<input type="checkbox"/>
Do the validation test to make sure that the implemented system meets the safety requirements. You can find the instructions for the validation test in this manual and in the FSO module user's manual.	<input type="checkbox"/>
Document the validation test procedure. You can find the guidelines for the validation test report in this manual and in the FSO module user's manual.	<input type="checkbox"/>

Related manuals

Manual	Code
Drive hardware	
ACS880-07 drives (560 to 2800 kW) hardware manual	3AUA0000143261
ACS880-07 drives (45 to 710 kW, 50 to 700 hp) hardware manual	3AUA0000105718
ACS880-07LC drives hardware manual	3AXD50000569786
ACS880-17 drives (160 to 3200 kW) hardware manual	3AXD50000020436
ACS880-17 drives (45 to 400 kW) hardware manual	3AXD50000035158
ACS880-17LC drives hardware manual	3AXD50000250295

Manual	Code
ACS880-37 drives (160 to 3200 kW) hardware manual	3AXD50000020437
ACS880-37 drives (45 to 400 kW) hardware manual	3AXD50000035159
ACS880-37LC drives hardware manual	3AXD50000251407
Drive firmware	
ACS880 primary control program firmware manual (AINLX)	3AUA0000085967
ACS880 primary control program firmware manual (YINLX)	3AXD50001000998
ACS880 diode supply control program firmware manual	3AUA0000103295
ACS880 diode supply control program (YDILX) firmware manual	3AXD50001096489
ACS880 IGBT supply control program firmware manual	3AUA0000131562
ACS880 IGBT supply control program (YISLX and YLHLX) firmware manual	3AXD50001019464
PC tools	
Drive Composer start-up and maintenance PC tool user's manual	3AUA0000094606
Functional safety design tool user's manual	3AXD10000102417
Safety	
Functional safety; Technical guide No. 10	3AUA0000048753
ABB Safety information and solutions	www.abb.com/safety
Options	
ACS-AP-I, -S, -W and ACH-AP-H, -W Assistant control panels user's manual	3AUA0000085685
FSO-12 safety functions module user's manual	3AXD50000015612
FSO-21 safety functions module user's manual	3AXD50000015614
FSE-31 pulse encoder interface module user's manual	3AXD50000016597
Other documents	
Circuit diagrams	Delivered with the drive
Part lists	Delivered with the drive
Safety data report (if ordered with option code +P947)	

You can find manuals on the Internet. See below for the relevant code/link. For more documentation, go to www.abb.com/drives/documents.



[ACS880-07 \(45 to 710 kW\) manuals](#)



[ACS880-07 \(560 to 2800 kW\) manuals](#)



[ACS880-07LC manuals](#)



[ACS880-17 \(45 to 400 kW\) manuals](#)



[ACS880-17 \(160 to 3200 kW\) manuals](#)



[ACS880-17LC manuals](#)



ACS880-37 (45 to 400 kW) manuals



ACS880-37 (160 to 3200 kW) manuals



ACS880-37LC manuals

Terms and abbreviations

Term	Description
Cat.	Classification of the safety-related parts of a control system in respect of their resistance to faults and their subsequent behavior in the fault condition, and which is achieved by the structural arrangement of the parts, fault detection and/or by their reliability. The categories are: B, 1, 2, 3 and 4. (EN ISO 13849-1)
CCF	Common cause failure (EN ISO 13849-1)
DC	Diagnostic coverage (EN ISO 13849-1)
Frame, frame size	Physical size of the drive or power module
FSE-31	Optional pulse encoder interface module for safety encoder
FSO-21	Safety functions module which supports the FSE-31 module and the use of safety encoders
FSO-12	Safety functions module which does not support the use of encoders
HFT	Hardware fault tolerance (IEC 61508)
IGBT	Insulated gate bipolar transistor
Inverter unit	Inverter module(s) under control of one control unit, and related components. One inverter unit typically controls one motor.
PFD_{avg}	Average probability of dangerous failure on demand (IEC 61508)
PFH	Average frequency of dangerous failures per hour (IEC 61508)
PL	Performance level. Levels a...e correspond to SIL (EN ISO 13849-1)
POUS	Prevention of unexpected start-up
SC	Systematic capability (IEC 61508)
SIL	Safety integrity level (1...3) (IEC 61508, IEC 62061, IEC 61800-5-2)
SSE	Safe stop emergency
STO	Safe torque off (IEC/EN 61800-5-2)
T_1	Proof test interval. Defines the probabilistic failure rate (PFH or PFD_{avg}) for the safety function or subsystem. Performing a proof test at a maximum interval of T_1 is required to keep the SIL capability valid. The same interval must be followed to keep the PL capability (EN ISO 13849) valid. Note that any T_1 values given cannot be regarded as a guarantee or warranty.
T_M	Mission time: the period of time covering the intended use of the safety function/device. After the mission time elapses, the safety device must be replaced. Note that any T_M values given cannot be regarded as a guarantee or warranty. (EN ISO 13849-1)
TP	Test pulse

3

Option description

Contents of this chapter

This chapter describes the option +Q950, prevention of unexpected start-up, and its settings.

Overview

A drive with option +Q950 uses the FSO-12 safety functions module (option +Q973) or the FSO-21 safety functions module (option +Q972) for the Prevention of unexpected start-up (POUS) safety function. ABB installs the FSO module to the drive and sets default parameter values for the option at the factory.

The customer must install and connect an operating switch and an indication lamp (optional) on site. These are not included in the delivery. The customer can install the operating switch on, for example, a control desk. Refer to the machine-specific C-type standards on whether the indication lamp is required.

When the user sets the operating switch to the open position, the POUS function activates the Safe torque off (STO) function in the drive. The Safe torque off function disables the control voltage of the power semiconductors of the drive output stage. This prevents the drive from generating the torque required to rotate the motor. With the POUS function, the user can do short-time operations (like cleaning) or maintenance work on the non-electrical parts of the machinery without switching off and disconnecting the drive.

Note: The situations in which you can use the POUS function must always be based on a risk assessment. Refer to IEC 60204-1:2016.

Note: Drives with the Emergency stop, configurable stop category 0 or 1 function (options +Q978 and +Q979): If the safety option is configured to operate as stop category 1, and the user activates the POUS function during the emergency stop deceleration ramp, it overrides the emergency stop function. This activates the drive STO function and opens the main contactor/breaker (in option +Q978). The motor coasts to a stop. For more information on the emergency stop function, refer to the applicable emergency stop option user's manual.

Note: ACS880-07 and -07LC drives with frame size nxDxT + n×R8i with main contactor/breaker (option +F250/+F255), ACS880-17, -17LC, -37, and -37LC drives with frame size n×R8i + n×R8i, and ACS880-17 and -37 drives with frame size R8, R11, R6i + R6i, or R7i + R7i: When the inverter unit STO is activated, the main contactor/breaker is opened after a user-defined delay (defined with parameter 94.11, the default value is 600 s). Refer to the hardware and firmware manuals for more information.

For a detailed description of the STO function, refer to the hardware manual. For more information on the FSO module, refer to the applicable FSO module user's manual.

The design principles of the option +Q950 comply with EN ISO 13850. The STO function complies with IEC/EN 61800-5-2. For a complete list of related standards and European directives, refer to section [Related standards and directives \(page 43\)](#).

■ Summary of wirings and settings

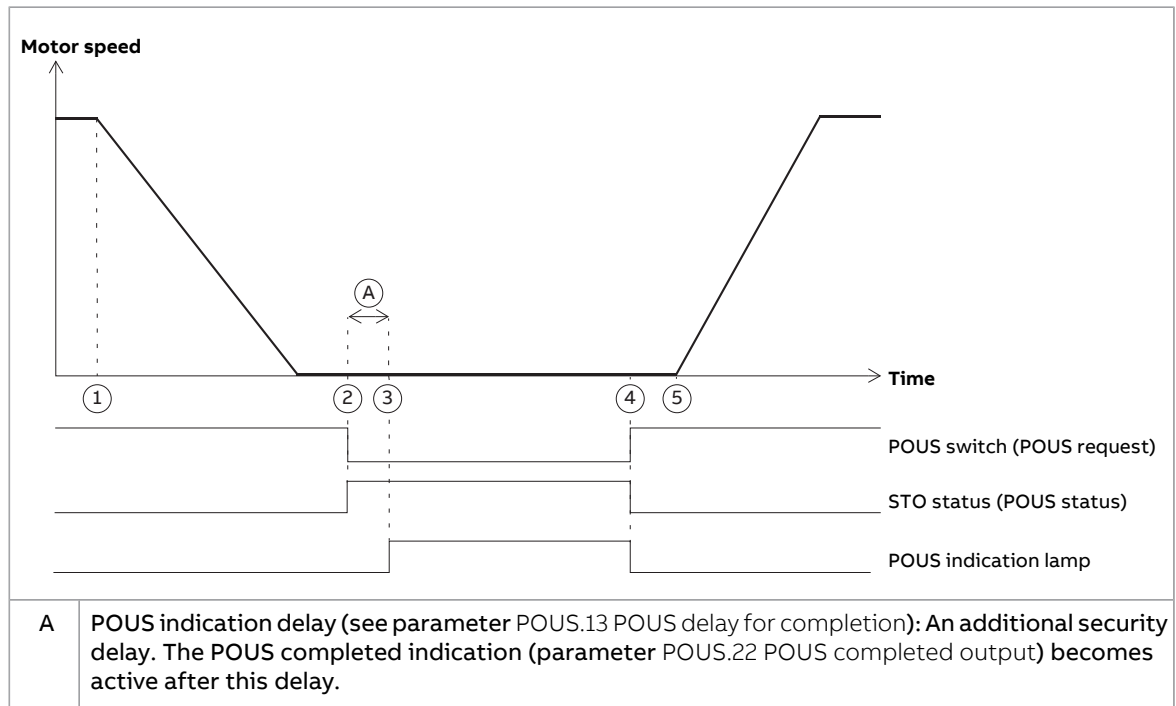
The wirings and settings of the POUS function are:

- The drive has an FSO safety functions module (option +Q973 or +Q972). ABB installs the module at the factory.
 - The customer must connect a dual-channel POUS switch to the FSO module. Refer to section [Wiring \(page 21\)](#).
 - The customer can connect a POUS indication lamp to the FSO module (optional).
 - The digital input of the FSO module to which the POUS switch is connected, is selected as the input for the POUS request. This is an FSO module parameter that ABB sets at the factory. The customer must check the setting at the start-up.
 - The digital output of the FSO module to which the POUS indication lamp is connected, is selected as the output for the POUS completed signal. This is an FSO module parameter that ABB sets at the factory. The customer must check the setting at the start-up.
-

Operation principle

■ Time scheme

This time scheme diagram illustrates the operation of the POUS function. This safety function uses the POUS function of the FSO module. For more information, refer to the FSO module user's manual.



1. The user stops the drive.
2. After the motor has stopped, the user sets the POUS switch to the open position. The FSO module activates the drive STO function.

Note: If the user activates the POUS function when the drive is modulating, the FSO module activates the drive STO function, the motor coasts to a stop and the FSO module generates a fault.

3. After time A has elapsed, the POUS indication lamp comes on (POUS completed indication).

Note: If the time specified by parameter POUS.13 is not sufficient, the motor can still be coasting when the POUS completed indication comes on.

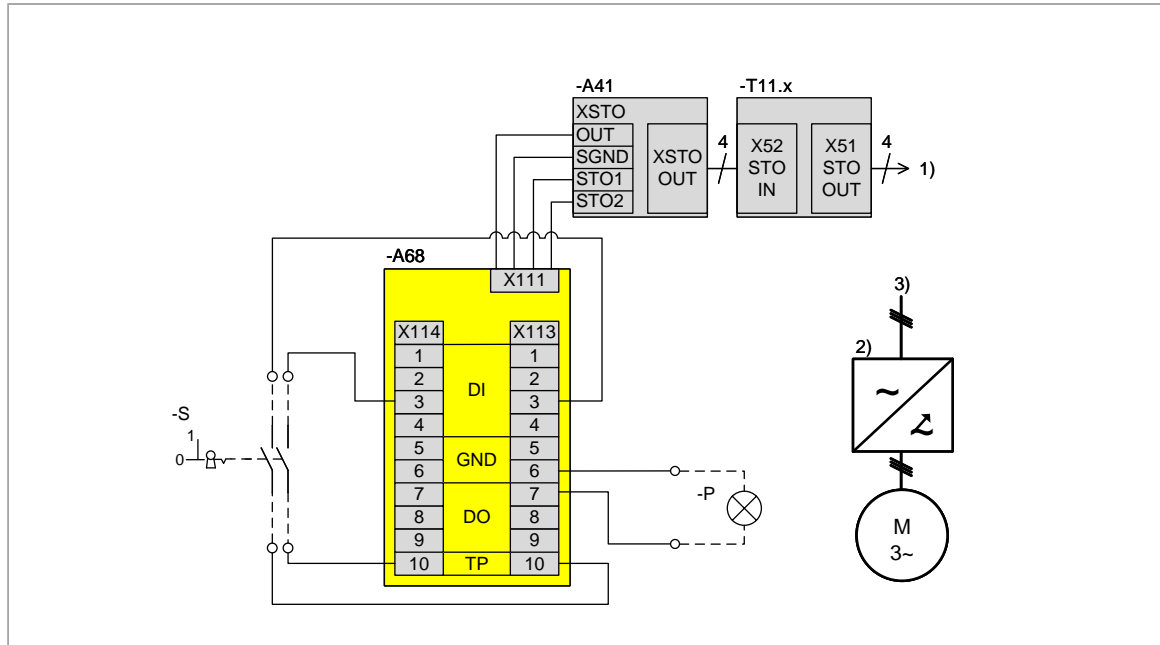
4. The user sets the POUS switch to the closed position. The FSO module deactivates the drive STO function. The POUS indication lamp goes off. The user can start the motor again.

Note: In this case, automatic acknowledgement of the POUS function is selected (parameter POUS.02 POUS acknowledgement).

5. The user restarts the drive.

■ Operation principle diagram

This diagram shows the connections of an FSO module (without the safety encoder interface). The figure shows a simplified operation principle. For a more detailed description, refer to the circuit diagrams delivered with the drive.



---	The dashed line in the figure shows a customer-defined installation.
A41	Inverter control unit
A68	FSO-12 or FSO-21 safety functions module
S	POUS switch (customer-defined)
P	POUS indicator lamp (customer-defined)
X113, X114	Terminal block in the FSO module
X111	STO connections to inverter control unit
T11.x	Inverter module(s) under inverter unit T11 (only for R8i)
TP	Test pulse(s) for digital input
1)	To parallel inverter modules (if any)
2)	Drive module
3)	Main circuit

Step	Operation
	Initial status: The drive is in operation, but the motor is not running.
1	The user sets the POUS switch [S] to the open position. This de-energizes the digital inputs of the FSO module and activates the POUS function.
2	The FSO module [A68] de-energizes the Safe torque off (STO) inputs on the inverter control unit [A41], which activates the drive STO function. The drive shows an indication.
3	The POUS indication lamp [P] comes on.

Step	Operation
4	The user cannot start the motor while the drive STO is active.
5	Normal operation resumes after the user: <ul style="list-style-type: none"> • sets the POUS switch [S] to the closed position • resets the drive (if necessary) • makes sure that the drive receives the start signal (depends on the configuration, refer to the firmware manual).

Fault reaction function

Definition: A safety function requires a “fault reaction function” that tries to initiate a safe state if it detects a failure in the safety system.

This section gives information on the fault reaction functions in the FSO module and the drive STO.

Examples of different failures:

- a short or open circuit or redundancy failure of the POUS switch wiring chain
- an internal failure in the FSO module
- an internal failure in the drive STO.

■ FSO module

The fault reaction function of the FSO module trips the drive if it detects a failure. The FSO module activates the STO function or the Safe stop emergency (SSE) function. This activates the drive STO function. The drive STO function is active until the fault is repaired.

The FSO module goes into Fail-safe mode. The STATUS/FAULT LED of the FSO module is red until the fault is repaired. To exit the Fail-safe mode, remove the cause of the fault and reset the FSO module.

For more information, refer to the firmware manual and the FSO module user’s manual.

Resetting the FSO module

To reset the FSO module:

- switch the power off and on, or
- click the **Reboot FSO** button on the Safety view of the Drive Composer pro PC tool, or
- use parameter 96.09 FSO reboot.

■ Drive STO function

The drive STO function has internal fault diagnostics and a fault reaction function, which causes a fault trip if it detects a redundancy fault of STO control signals or an internal failure. Refer to the hardware and firmware manuals of the drive.

4

Electrical installation

Contents of this chapter

This chapter gives information on the electrical installation of the safety option.

Wiring



▲WARNING Obey the safety instructions of the drive. If you ignore them, injury or death, or damage to the equipment can occur. If you are not a qualified electrical professional, do not do installation, commissioning or maintenance work.

The operating switch and the indication lamp for the POUS function are not factory-installed. The customer must install and connect them to the drive on site.

There is an extension terminal block [X68] inside the drive cabinet. The tables that follow show the connections between the extension terminal block [X68] and the FSO module connectors [X113] and [X114].

FSO X113	1	2	3	4	5	6	7	8	9	10
X68	3	4	5	6	7	8, 9	10	11	12	13, 14, 15, 16

FSO X114	1	2	3	4	5	6	7	8	9	10
X68	17	18	19	20	21	22, 23	24	25	26	27, 28, 29, 30

There is a separate terminal block [X957] inside the drive cabinet for customer connections. The terminal block [X957] is connected to the extension terminal block [X68].

ABB installs the FSO module and the wiring between the FSO module and the drive at the factory. The FSO module has double terminals for the connection of the POUS switch. Connect the POUS switch to the terminals according to the circuit diagrams of the delivery. Obey these general rules:

1. Use only double-contact switches. ABB recommends approved and lockable switches.
2. Connect the switch with two conductors (two-channel connection). Keep the channels separate.

Note: If you use only one channel in a two-channel implementation, or if the channels are connected together, the cross fault detection of the FSO module detects a redundancy fault and activates the fault reaction function.

Note: If you change the input and the parameter settings in the FSO module into a one-channel implementation, it has an effect on the safety integrity of the safety function. In this case, the safety data that ABB has calculated for the function is not valid.

Note: The safety circuit design can be different when modified according to the customer's safety requirements. Refer to the circuit diagrams delivered with the drive.

3. Use shielded, twisted pair cables. ABB recommends double-shielded cable and gold-plated contacts in the POUS switch.
4. The maximum permitted cable length between the drive and the POUS switch is 250 m (820 ft).
5. Obey the general control cable installation instructions given in the drive hardware manual.

If you use a POUS indication lamp, connect it to the applicable terminals. ABB recommends an LED indication lamp. The maximum permitted cable length between the drive and the indication lamp (for the whole loop) is 250 m (820 ft).





Parameter settings

Contents of this chapter

This chapter gives the parameters that you must set in the FSO module and the drive.

Competence

The person who configures the safety functions in the FSO module must be a competent person as required by IEC 61508-1 clause 6. In this context, the person must have expertise and knowledge of functional safety, the safety functions and the configuration of the FSO module. ABB has training courses on the FSO module.

FSO module parameter settings

The default parameter values shown below are example values for the safety functions described in this manual. Actual parameter values of the delivery can be different.

Always make sure that:

- the parameter settings agree with the circuit diagrams, and
- the design agrees with the safety requirements of the application.

You must use the Drive Composer pro PC tool to set the FSO module parameters. You also need a password to download the configuration to the FSO module from Drive Composer pro. For the default password of the FSO module, refer to the FSO module user's manual. For more information on Drive Composer pro, refer to [Drive Composer start-up and maintenance PC tool user's manual \(3AUA0000094606 \[English\]\)](#).

Note: When the motor is running, you cannot change the password, adjust parameter values, or upload or download the FSO configuration file.

Note: The FSO module has a factory reset button. The factory reset button clears the configuration and sets the parameters to the factory default values. These values are not the same as the preset values in an FSO module that was ordered as an option (with a plus code). You cannot restart the drive with the factory default values. If you do a factory reset of the FSO module, you must reconfigure the FSO module and set all applicable parameters. For more information on the factory reset, refer to the FSO module user's manual.

Follow the configuration steps described in the FSO module user's manual, chapter **Configuration**.

There are parameters that you must always set and parameters that are related to some safety functions only. These tables list all the parameters that you must check and set for option +Q950. The example values are applicable only to option +Q950.

■ General parameters

These parameters are common to all safety functions.

Index	Name	Example value	Description
FSOGEN.21	Motor nominal speed	1500 rpm	Sets the synchronous motor speed.
FSOGEN.22	Motor nominal frequency	50 Hz	Sets the nominal motor frequency. Must be equal to the value on the motor rating plate.
FSOGEN.41	Power-up acknowledgement	Automatic	<p>Sets the power-up acknowledgement method of the FSO module.</p> <p>Automatic: It is not necessary to push a reset button after energizing the FSO module. The FSO module generates the acknowledgement signal automatically after the power-up.</p> <p>Manual: The FSO module reads the external acknowledgement signal through the digital input defined by parameter FSOGEN.42 Acknowledgement button input. Make sure that the value is Automatic.</p>
FSOGEN.42	Acknowledgement button input	None	<p>Selects the digital input for the acknowledgement signal when parameter FSOGEN.41 Power-up acknowledgement or STO.02 STO acknowledgement is set to Manual.</p> <p>In the safety function described in this manual, parameters FSOGEN.41 Power-up acknowledgement and STO.02 STO acknowledgement are set to Automatic, and this digital input is not used. The safety function is configured not to require a reset/acknowledgement of the safety function after power-up or the removal of the safety function request.</p>

■ Parameters for the STO function

These parameters are related to the STO function of the FSO module. The FSO module can activate the STO function in internal fault situations.

Index	Name	Example value	Description
STO.02	STO acknowledgement	Automatic	Sets the acknowledgement method used in the STO, SSE and SS1 functions. Automatic: The FSO module generates the STO acknowledgement signal automatically, and the user does not have to press a reset button (see parameter FSOGEN.42 Acknowledgement button input).
STO.11	STO input A	None	Sets the digital input that is connected to the primary input of the STO function. The safety option described in this manual does not use this function and the value must be None.
STO.14	Time to zero speed with STO and mod-off	2000 ms	The time it takes for the motor to coast to a standstill from maximum process speed. This must be measured with the Drive Composer pro PC tool when an encoder is used for motor control (otherwise you have to make sure that the motor shaft has stopped rotating by other means, eg, visually.). When an encoder is used: This parameter is relevant only if there is an encoder failure and the FSO module activates the STO function.

■ Parameters for the SSE function

These parameters are related to the Safe stop emergency (SSE) function of the FSO module. The FSO module can activate the SSE function in internal fault situations.

Index	Name	Example value	Description
SSE.13	SSE function	Immediate STO or Emergency ramp	Sets the type of the SSE function. Immediate STO: The FSO module activates the drive STO function immediately after the SSE request. Emergency ramp: The FSO module decelerates the motor to zero speed, and then activates the drive STO function. SAR0 parameters define the deceleration ramp. For more information, refer to the FSO module user's manual. For option +Q950, ABB sets this parameter to value Immediate STO at the factory. Adjust the default value when necessary.

■ Parameters for the POUS function

These parameters are related to the POUS function.

Index	Name	Example value	Description
POUS.01	POUS activity and version	Version 1	Activates or deactivates the POUS function and shows the version of the POUS function. Version 1: Activates the POUS function.
POUS.02	POUS acknowledgement	Automatic	Sets the POUS acknowledgement method. Set this parameter according to the application requirements. Automatic: The FSO module generates the POUS acknowledgement signal automatically after the POUS request signal is removed. Manual: The FSO module reads the POUS acknowledgement signal through the digital input defined by parameter FSO-GEN.42 Acknowledgement button input. The FSO module accepts the acknowledgement after the POUS request is removed. If you set this parameter to Manual, you must implement a manual acknowledgement for the POUS function.
POUS.11	POUS input	DI X113:3 & X114:3	Sets the digital input that is connected to the POUS input. For option +Q950, ABB has configured the POUS request signal to these digital inputs at the factory. Make sure that this value corresponds to the actual wiring. Refer to the circuit diagrams of the delivery.
POUS.13	POUS delay for completion	0 ms	Sets the time after which the POUS completed indication (POUS.22 POUS completed output) is activated after the POUS request. Adjust the default value if necessary.
POUS.21	POUS output	None	Sets the digital output that indicates the activity of the POUS function. Active from the POUS request until the function is acknowledged. The safety function described in this manual does not use this digital output.

Index	Name	Example value	Description
POUS.22	POUS completed output	DO X113:7	<p>Sets the digital output that indicates the active state of the POUS function (that is, the motor is stopped and the drive STO is active). Active after the time defined by parameter POUS.13 POUS delay for completion has elapsed from the POUS request until the POUS request is removed and the POUS function is acknowledged (automatic acknowledgement is used by default, see parameter POUS.02 POUS acknowledgement).</p> <p>For option +Q950, ABB has configured the POUS indication signal to this digital output at the factory. Make sure that this value corresponds to the actual wiring. Refer to the circuit diagrams of the delivery.</p>
I/O parameters			
SAFEIO.35	DI X113:3 Diag pulse on/off	On ¹⁾	<p>Sets the diagnostic pulse of digital input X113:3 on or off.</p> <p>On: The input monitors that it receives test pulses.</p>
SAFEIO.39	DI X114:3 Diag pulse on/off	On ¹⁾	<p>Sets the diagnostic pulse of digital input X114:3 on or off.</p> <p>On: The input monitors that it receives test pulses.</p>
SAFEIO.53	DO X113:7 Diag pulse	On	<p>Sets the diagnostic pulse of digital output X113:7 on or off.</p> <p>On: The output monitors that it receives test pulses.</p>
SAFEIO.71	DO X113:7 logic state	Active high	<p>Sets the logic state of digital output X113:7.</p> <p>Active high: The digital output is on when the indicated signal is active.</p> <p>For option +Q950, ABB has configured the POUS indication signal to this digital output at the factory.</p>

¹⁾ The safety data is based on the assumption that this diagnostic measure for the POUS switch wiring is active (On). If pulsing is disabled, other measures should be considered to ensure sufficient diagnostic coverage of the POUS switch wiring.

Note: These indications are generated when POUS is activated: AA97 FSO POUS request warning and 7A97 FSO premature POUS fault. They are not user-configurable.

Drive parameter settings

The table that follows gives the parameters related to the safety function in the ACS880 primary control program. The parameters are set at the factory.

No.	Name	Default value ¹⁾	Description
31.22	STO indication run/stop	Warning/Warning	Selects which indications are given when the Safe torque off (STO) function is activated. Warning/Warning is the recommended setting. Note: ABB recommends that you do not set this parameter to Fault/Fault, Fault/Warning, or Fault/Event. These values will cause the drive to trip on a fault each time that the FSO module activates the drive STO function.

¹⁾ Value set by ABB at the factory for the default design.

6

Use of the safety function

Contents of this chapter

This chapter describes the use of the safety function with factory default settings.

Activating the safety function

Activate the POUS function only when the motor is stopped.

Activation procedure:

1. Set the POUS switch [S] to the open position.
When POUS is activated, these indications are shown:
 - AA97 FSO POUS request
 - the POUS indication lamp is on (if installed).

If configured with parameter 31.22 STO indication run/stop, an indication for Safe torque off is shown when the drive STO is activated.

Resetting the safety function



▲WARNING Make sure that the drive does not start accidentally. This can occur with the automatic acknowledgement method of the safety function, if a level-triggered start command and the start enable signal are on at the same time.

1. Set the POUS switch [S] to the closed position.
2. If necessary, reset faults from the drive.

A manual acknowledgement is not necessary after you deactivate the POUS function. ABB sets the acknowledgement method for the POUS function to automatic at the factory.

7

Start-up and validation test

Contents of this chapter

This chapter describes the start-up, validation test procedure, and validation of the safety function.

Validation of the safety functions

You must do a validation test to make sure that the safety function operates correctly and according to the safety requirements.

■ Competence

The person who does the validation test of the safety function must be a competent person with expertise and knowledge of the safety function and functional safety, as required by IEC 61508-1 clause 6. This person must document and sign the test procedures and report.

■ Validation procedure

You must validate the general settings of the FSO module and the safety encoder (if used) before you validate the safety function. Refer to the FSO module user's manual, chapter **Verification and validation**.

You must do the validation test using the checklist given in this manual and the validation test plan of the complete safety system:

- at the initial start-up of the safety function
 - after changes related to the safety function (wiring, components, safety function-related parameter settings, etc.)
 - after changes related to the power unit or its circuit boards
-



- at the proof test of the safety function
- after maintenance work related to the safety function.

The validation test must include at least the following steps:

- you must have a validation test plan
- you must test all commissioned functions for correct operation, from each operation location
- you must document all validation tests
- you must sign and store the validation test report for further reference.

■ Validation test reports

You must store the signed validation test reports in the logbook of the machine. The report must include, as required by the referred standards:


- a description of the safety application (including a figure)
- a description and revisions of safety components that are used in the safety application
- a list of all safety functions that are used in the safety application
- a list of all safety-related parameters and their values
- documentation of start-up activities, references to failure reports and resolution of failures
- the test results for each safety function, checksums, date of the tests, and confirmation by the test personnel.

You must store any new validation test reports done due to changes or maintenance in the logbook of the machine.



Start-up and validation test

You must use the Drive Composer pro PC tool to do the start-up and validation test.

Action	<input checked="" type="checkbox"/>
 ▲WARNING Obey the safety instructions of the drive. If you ignore them, injury or death, or damage to the equipment can occur.	<input type="checkbox"/>
Initial status	
<u>Safety encoder interface:</u> If you use a safety encoder in the safety application, validate the safety encoder interface as described in FSO-21 safety functions module user's manual (3AXD50000015614 [English]) , chapter Verification and validation .	<input type="checkbox"/>
Make sure that the drive is ready for use, that is, you have done the tasks of the drive start-up procedure. Refer to the hardware manual.	<input type="checkbox"/>
Make sure that the FSO STO function is configured and validated. Refer to the FSO module user's manual. Internal monitoring of the FSO module can trigger the STO function even if you have not defined an external request signal. The STO function must be validated before other safety functions. Note: If parameter S_ENCEN.11 is set to Est switch not active load, both STO function with speed estimate and STO function with encoder feedback must be tested - most importantly, the value of parameter STO.14 must be set according to the application requirements.	<input type="checkbox"/>

Action	<input checked="" type="checkbox"/>
Checks and settings with no voltage connected	
Stop the drive and do the steps in section Electrical safety precautions (page 9) before you start the work.	<input type="checkbox"/>
After you connect the POUS switch and indication lamp to the drive, do a check of the connections against the applicable circuit diagrams. Do the check also if you made other connections to the safety circuit on site (for example, connected shipping splits of large drives).	<input type="checkbox"/>
Make sure that the POUS request is not on (the POUS switch is in the closed position).	<input type="checkbox"/>
Inverter units with parallel R8i inverter modules: Make sure that the XSTO.OUT output on the inverter control unit [A41] is chained to the STO inputs of all inverter modules.	<input type="checkbox"/>
Settings with voltage connected	
Close the cabinet doors and power up the drive. Refer to the hardware manual.	<input type="checkbox"/>
Make sure that the parameter settings related to the safety functions are correct. Refer to chapter Parameter settings .	<input type="checkbox"/>
Save the FSO safety file (button Save safety file in the Drive Composer pro PC tool). Note: The FSO safety file is not included in the drive backup process.	<input type="checkbox"/>
Validation test	
ABB recommends that you monitor at least these signals with the Drive Composer PC tool: <ul style="list-style-type: none"> • 01.01 Motor speed used (rpm) • 01.02 Motor speed estimated (rpm) • 01.07 Motor current (A) • 01.10 Motor torque (%) • 06.18 Start inhibit status word • 23.01 Speed ref ramp input (rpm) • 23.02 Speed ref ramp output (rpm) • 90.01 Motor speed for control (rpm) • 90.10 Encoder 1 speed (rpm) • 200.01 FSO speed ch1 (rpm) • 200.02 FSO speed ch2 (rpm) • 200.03 FSO DI status • 200.04 FSO DO status • 200.05 FSO control word 1 • 200.06 FSO control word 2 • 200.07 FSO status word 1 • 200.08 FSO status word 2 • 200.09 Drive status word 1 • 200.10 Drive status word 2 	<input type="checkbox"/>
Make sure that it is safe to start, run and stop the motor during the test.	<input type="checkbox"/>
Start the drive and make sure that the motor is running. Then stop the motor.	<input type="checkbox"/>
Make sure that the motor is stopped.	<input type="checkbox"/>
Activate the POUS function: set the POUS switch to the open position.	<input type="checkbox"/>
Make sure that the correct warnings and indications are shown.	<input type="checkbox"/>
Make sure that the POUS indication is activated. For example, if you installed a POUS indication lamp, make sure that it comes on.	<input type="checkbox"/>
Make sure that the drive generates none of these faults: <ul style="list-style-type: none"> • STO hardware failure (5090) • Safe torque off 1 loss (FA81) • Safe torque off 2 loss (FA82) If the drive generates these faults, refer to the fault tracing instructions in this manual. If the FSO module generates a fault, refer to the FSO module user's manual, chapter Fault tracing .	<input type="checkbox"/>



34 Start-up and validation test

Action	<input checked="" type="checkbox"/>
Make sure that you cannot start the drive or motor from any control location. Make sure that the drive or motor does not start when you switch the start signal off and on, or push the start key of the panel when the panel is in local control mode.	<input type="checkbox"/>
Deactivate the POUS function: set the POUS switch to the closed position. Note: If the POUS function is in the automatic reset mode, the drive can restart automatically when you deactivate the POUS function.	<input type="checkbox"/>
Make sure that the POUS indication lamp goes off and the related warning is no longer shown.	<input type="checkbox"/>
Restart the drive and motor. Make sure that they operate normally.	<input type="checkbox"/>
Create a backup file of the drive parameters with the Drive Composer pro PC tool.	<input type="checkbox"/>
Save the FSO safety file with the button Save safety file in the Drive Composer pro PC tool.	<input type="checkbox"/>
Fill in and sign the validation test report. Store the report in the logbook of the machine.	<input type="checkbox"/>





Fault tracing

Contents of this chapter

This chapter provides general diagnostics and troubleshooting tips.

Fault tracing

■ STO circuit connections

Use a voltage tester or multimeter to measure the continuity of the STO circuit connections, if the drive generates one or more of these faults:

- STO hardware failure (5090)
- Safe torque off 1 loss (FA81)
- Safe torque off 2 loss (FA82)

Refer to the circuit diagrams delivered with the drive.

Stop the drive and do the steps in section [Electrical safety precautions \(page 9\)](#) before you start the work.

■ Other

For more fault tracing possibilities, refer to the hardware and firmware manuals of the drive.

Reporting problems and failures related to safety functions

Contact ABB.

9

Maintenance

Contents of this chapter

This chapter contains information for the maintenance and decommissioning of the safety function.

Safety circuit maintenance

After the safety function is validated, it must be maintained by periodic proof testing.

If you change the wiring or a component after the start-up, replace a power unit or its circuit boards, replace the FSO or FSE-31 module, modify FSO module parameters, or restore parameters to their factory default values:

- Use only ABB-approved spare parts.
- Register the change to the change log for the safety circuit.
- If parameters were restored to the factory default values: Set the parameters related to the safety function.
- Do the validation test of the safety function.
- Document the tests and store the report into the logbook of the machine.

Proof test interval

Proof tests are used to detect failures in the safety function. To do a proof test, use the validation test procedure given in this manual.

Periodic proof testing of the safety function is necessary to maintain the required SIL/PL-level. In high demand mode of operation, the maximum proof test interval is 20 years. In low demand mode of operation, the maximum proof test interval is 2 or 5 years (high or low demand as defined in IEC 61508, IEC/EN 62061 and EN ISO 13849-1). Regardless of the mode of operation, it is a good practice to do the proof test for the

safety function at least once a year. It is also a good practice to include the proof test for the safety function in the routine maintenance program of the machinery.

The person responsible for the design of the complete safety system should also note the Recommendation of Use CNB/M/11.050 published by the European co-ordination of Notified Bodies for Machinery concerning dual-channel safety-related systems with electromechanical outputs:

- When the safety integrity requirement for the safety function is SIL 3 or PL e (cat. 3 or 4), the proof test for the function must be done at least every month.
- When the safety integrity requirement for the safety function is SIL 2 (HFT = 1) or PL d (cat. 3), the proof test for the function must be done at least every 12 months.

This is a recommendation and depends on the required (not achieved) SIL/PL. For example, contactors, breakers, safety relays, contactor relays, emergency stop buttons, switches, etc. are typically safety devices which have electromechanical outputs. The STO circuit of the drive does not have electromechanical outputs. Also, the FSO and FSE-31 modules do not have electromechanical outputs.

Functional safety components

The mission time of functional safety components is 20 years which equals the time during which failure rates of electronic components remain constant. This applies to the components of the standard Safe torque off circuit as well as any modules, relays and, typically, any other components that are part of functional safety circuits.

The expiry of mission time terminates the certification and SIL/PL classification of the safety function. The following options exist:

- Renewal of the whole drive and all optional functional safety module(s) and components.
- Renewal of the components in the safety function circuit. In practice, this is economical only with larger drives that have replaceable circuit boards and other components such as relays.

Note that some of the components may already have been renewed earlier, restarting their mission time. The remaining mission time of the whole circuit is however determined by its oldest component.

Contact your local ABB service representative for more information.

Competence

The person who does the maintenance and proof test activities of the safety function must be a competent person with expertise and knowledge of the safety function and functional safety, as required by IEC 61508-1 clause 6.

Residual risk

The safety functions are used to reduce the recognized hazardous conditions. In spite of this, it is not always possible to eliminate all potential hazards. Thus, the warnings for the residual risks must be given to the operators.

Intentional misuse

The safety circuit is not designed to protect a machine against intentional misuse.

Decommissioning

When you decommission a POUS group or a drive, make sure that the functional safety of the machine is maintained by other means until the decommissioning is completed.

10

Technical data

Contents of this chapter

This chapter gives the safety data, ambient conditions, and list of standards related to the product.

Safety data

■ Safety data values

The safety data is valid for the default design of the safety circuit shown in this manual. If the final design is different from the default design, and the customer has ordered safety data calculations (option +P947), ABB calculates the new safety data and delivers it separately to the customer.

The POUS switch is not included in the calculations, because it is not included in the delivery.

Note: The POUS indication is SIL/PL-rated. For more information, refer to the FSO module user's manual.

Frame size	SIL	SC	PL	PFH ¹⁾ [1/h]	PFD _{avg} (T ₁ =2a)	PFD _{avg} (T ₁ =5a)	DC ²⁾ [%]	Cat.	HFT	CCF	T _M [a]	T ₁ ^{3) 4)} [a]
R6...R8	3	3	e	3.3E-09	2.7E-05	6.8E-05	≥90	3	1	80	20	20/5/2
R9	3	3	e	3.3E-09	2.7E-05	6.7E-05	≥90	3	1	80	20	20/5/2
R10...R11	3	3	e	3.7E-09	3.2E-05	8.1E-05	≥90	3	1	80	20	20/5/2
R6i...R7i	3	3	e	3.9E-09	3.4E-05	8.5E-05	≥90	3	1	80	20	20/5/2
1×R8i	3	3	e	6.2E-10	5.3E-06	1.3E-05	≥90	3	1	80	20	20/5/2
2×R8i	3	3	e	6.3E-10	5.4E-06	1.4E-05	≥90	3	1	80	20	20/5/2
3×R8i	3	3	e	6.4E-10	5.5E-06	1.4E-05	≥90	3	1	80	20	20/5/2

42 Technical data

Frame size	SIL	SC	PL	PFH ¹⁾ [1/h]	PFD _{avg} (T ₁ =2a)	PFD _{avg} (T ₁ =5a)	DC ²⁾ [%]	Cat.	HFT	CCF	T _M [a]	T ₁ ^{3) 4)} [a]
4×R8i	3	3	e	6.5E-10	5.6E-06	1.4E-05	≥90	3	1	80	20	20/5/2
5×R8i	3	3	e	6.6E-10	5.7E-06	1.4E-05	≥90	3	1	80	20	20/5/2
6×R8i	3	3	e	6.7E-10	5.7E-06	1.4E-05	≥90	3	1	80	20	20/5/2
7×R8i	3	3	e	6.8E-10	5.8E-06	1.5E-05	≥90	3	1	80	20	20/5/2
8×R8i	3	3	e	6.8E-10	5.9E-06	1.5E-05	≥90	3	1	80	20	20/5/2
3AXD10000097591 M												

1) PFH values are according to EN ISO 13849.

2) DC applies for both high and low demand mode of operation.

3) See the Recommendation of Use CNB/M/11.050 published by the European coordination of notified bodies for lower T₁ requirement.

4) T₁ = 20a is used with high demand mode of operation. T₁ = 2a/5a is used with low demand mode of operation.

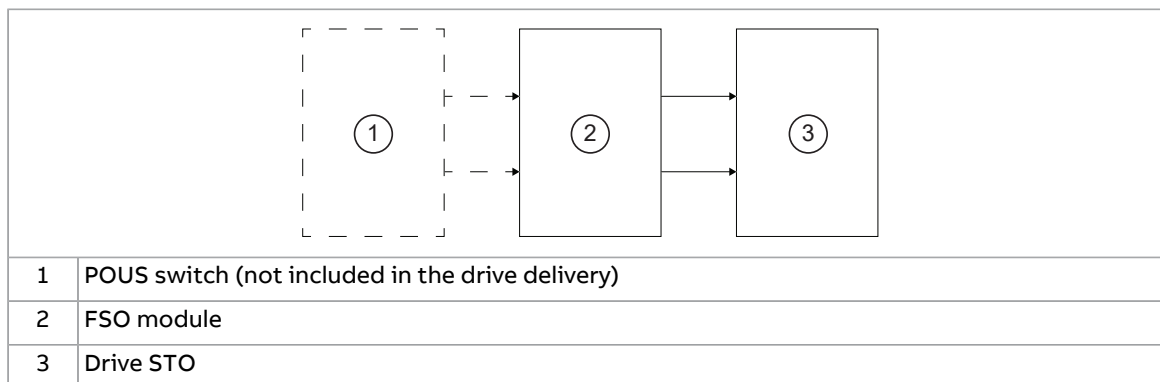
■ Safety component types

Safety component types as defined in IEC 61508-2:

- FSO module: type B
- FSE module: type B
- drive STO circuit:
 - frame sizes R1...R9 and drives with R6i...R7i inverter modules: type A
 - drives with R6i...R7i inverter modules and UCU-22, -23 or -24 control unit: type B
 - frame sizes R10 and R11 and drives with R8i inverter modules: type B.

■ Safety block diagrams

The components that are included in the safety data calculations are shown in the safety block diagram(s). The components not included in the drive delivery are not included in the safety data calculations.



■ Relevant failure modes

Relevant failure modes are:

- internal failures of the FSO module, and the drive STO.

These failures are included in the failure rate value of the function.

The FSO module detects open circuits, short circuits, and redundancy failures of the POUS input signal wirings. Similarly, it detects redundancy failures of the POUS switch when the POUS request is on.

■ **Fault exclusions**

Fault exclusions (not considered in the calculations):

- short and open circuits in the cables of the safety circuit
- short and open circuits in the cabinet terminal blocks of the safety circuits.

■ **Operation delays**

Total delay for the POUS function: (less than) 500 ms

Ambient conditions

For the environmental limits for the safety functions and the drive, refer to the drive hardware manual.

Related standards and directives

Standard	Name
IEC 61800-5-2:2016 EN 61800-5-2:2007	Adjustable speed electrical power drive systems - Part 5-2: Safety requirements – Functional
IEC 62061:2021 + AMD1:2024 EN IEC 62061:2021	Safety of machinery – Functional safety of safety-related control systems
EN ISO 13849-1:2023	Safety of machinery - Safety-related parts of control systems - Part 1: General principles for design
EN ISO 13849-2:2012	Safety of machinery - Safety-related parts of control systems - Part 2: Validation
IEC 61508-1:2010	Functional safety of electrical/electronic/programmable electronics safety related systems – Part 1: General requirements
IEC 61508-2:2010	Functional safety of electrical/electronic/programmable electronics safety related systems – Part 2: Requirements for electrical/electronic/programmable electronic safety-related systems
IEC 61511-1:2016 + AMD1:2017	Functional safety – Safety instrumented systems for the process industry sector – Part 1: Framework, definitions, system, hardware and application programming requirements
IEC 61000-6-7:2014	Electromagnetic compatibility (EMC) – Part 6-7: Generic standards – Immunity requirements for equipment intended to perform functions in a safety-related system (functional safety) in industrial locations
IEC 61326-3-1:2017	Electrical equipment for measurement, control and laboratory use – EMC requirements – Part 3-1: Immunity requirements for safety-related systems and for equipment intended to perform safety-related functions (functional safety) – General industrial applications
EN ISO 14118:2018	Safety of machinery – Prevention of unexpected start-up (ISO 14118:2017)
2006/42/EC	European Machinery Directive
	Supply of Machinery (Safety) Regulations 2008 (UK)
Other	Machine-specific C-type standards

Compliance with the European Machinery Directive

The drive is an electronic product which is covered by the European Low Voltage Directive. However, the drive internal safety function of this manual is in the scope of the Machinery Directive as a safety component. This function complies with European harmonized standards such as IEC/EN 61800-5-2.



Declaration of conformity according to EU Machinery Directive 2006/42/EU (3AXD10000105027)

Compliance with the Supply of Machinery (Safety) Regulations (UK)

The drive is an electronic product which is covered by the Electrical Equipment (Safety) Regulations. However, the drive internal safety function of this manual is in the scope of the Supply of Machinery (Safety) Regulations as a safety component. This function complies with designated standards such as EN 61800-5-2.



Declaration of conformity according to UK Supply of Machinery (Safety) Regulations 2008 (3AXD10001326695)

Further information

Product and service inquiries

Address any inquiries about the product to your local ABB representative, quoting the type designation and serial number of the unit in question. A listing of ABB sales, support and service contacts can be found by navigating to www.abb.com/contact-centers.

Product training

For information on ABB product training, navigate to new.abb.com/service/training.

Providing feedback on ABB manuals

Your comments on our manuals are welcome. Navigate to forms.abb.com/form-26567.

Document library on the Internet

You can find manuals and other product documents in PDF format on the Internet at www.abb.com/drives/documents.



www.abb.com/drives



3AUA0000145922J