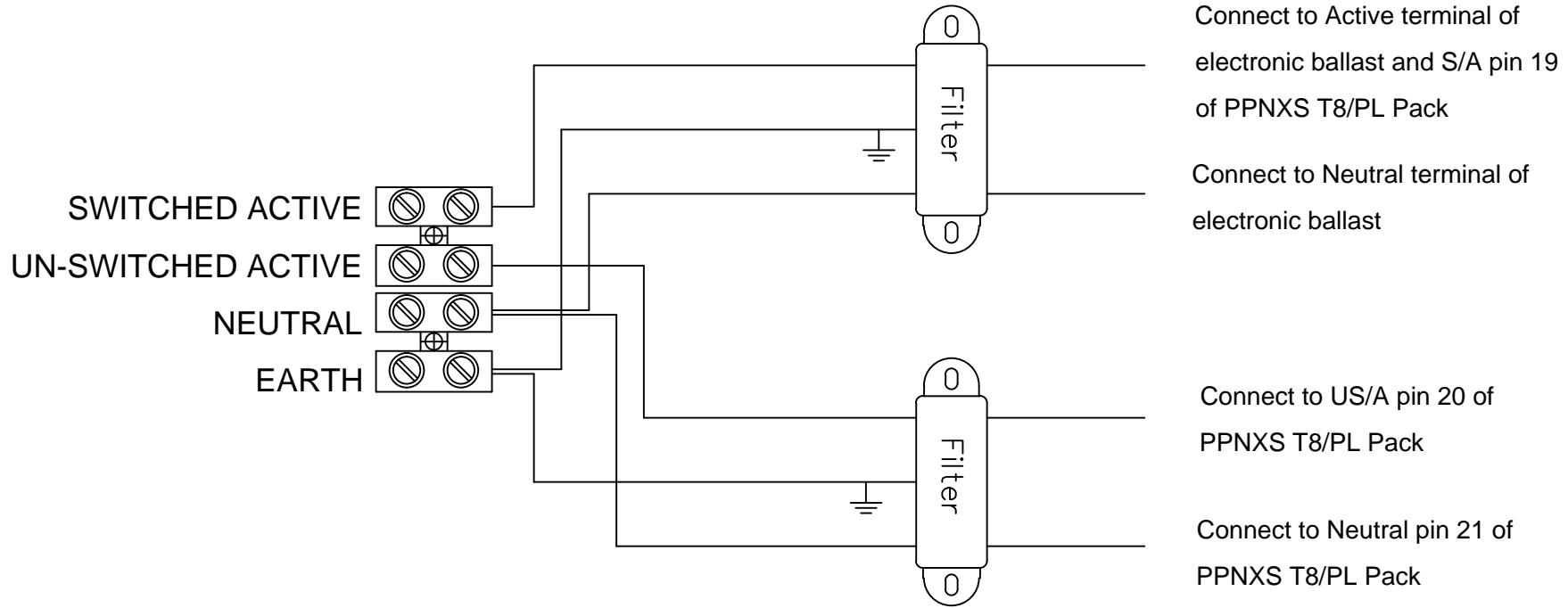


DRAWING NUMBER
NPWD145A

DO NOT SCALE



| ISS | | DATE | CHANGE | APPROVAL | ZONE |
|-----|--|------------|----------------|----------|------|
| A | | 23/11/2015 | ORIGINAL ISSUE | | |



Connect to Active terminal of
electronic ballast and S/A pin 19
of PPNXS T8/PL Pack

Connect to Neutral terminal of
electronic ballast

Connect to US/A pin 20 of
PPNXS T8/PL Pack

Connect to Neutral pin 21 of
PPNXS T8/PL Pack

The above showing EMC Filter connection for Nexus T8/PL Lamp Power Pack if require to be use.
In general 1 filter to the the Un-switched active is sufficient to gain EMC compliance.
If only 1 filter (e.g. bottom filter) is use for EMC compliance than the 2nd Filter (i.e. top filter)
wiring shown above can be ignored.

NOTES:

1. Wiring status: Draft - Not tested. The ballast / power pack combination has not been wired up and tested to confirm functional compatibility.
2. This wiring diagram is provided in good faith and the best of our knowledge at the time of publication. Thomas and Betts does not give any warranty or representation as to the accuracy, reliability or completeness of the information. Thomas and Betts shall not be liable for any loss or damage arising in any way from or in connection with any information provided or omitted, or from anyone acting or refraining to act in reliance on this information.
3. Changes to ballast specification by the manufacturer are beyond our control and may cause adverse effect on the performance, EMC issue and compatibility issue. Consult Thomas and Betts for further advise.

| | | | | | |
|---------------------|------------|---|----------------|------------|--|
| DRAWN | G.K.Grover | Thomas & Betts <small>A Member of the ABB Group</small> | | | |
| CHECKED | ----- | <small>ABN 62074810898 23A NYRANG ST, LIDCOMBE NSW 2141 AUSTRALIA</small> | | | |
| APPROVED | G.K.Grover | TITLE Wiring diagram EMC Filter connection for Nexus T8/PL Lamp Power Pack. | | | |
| DATE: | 23/11/15 | ALSO USED ON | DRAWING NUMBER | SHEET SIZE | |
| | | | NPWD145A | A3 | |
| DRAWING STD AS 1100 | | SCALE N.T.S. | SHEET 1 OF 1 | | |