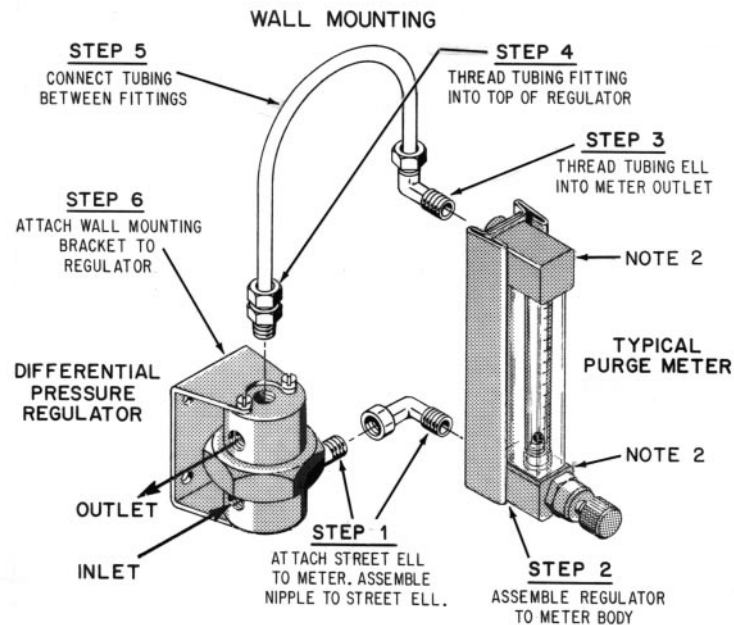


# INSTRUCTION BULLETIN

for

## PIPING PARTS KIT NO. 614B738U01-U12

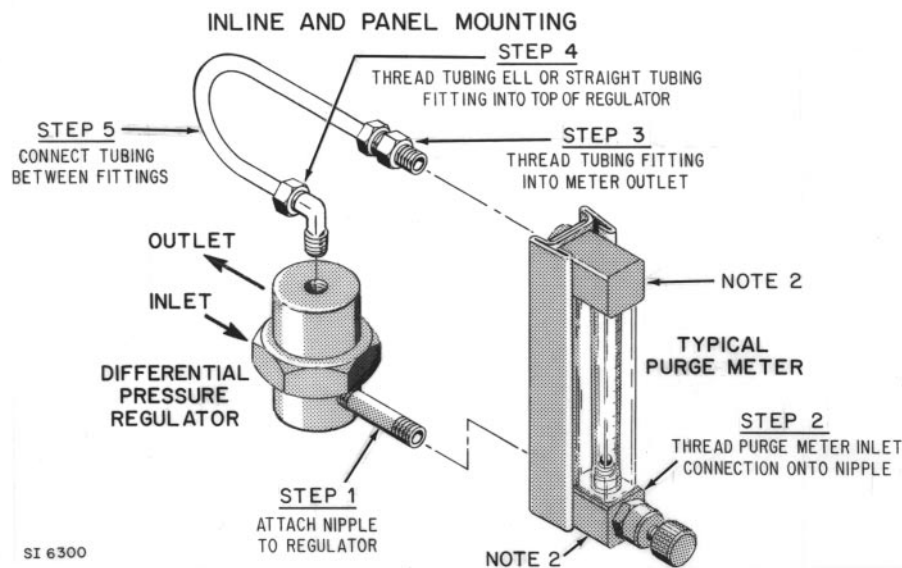
### ASSEMBLY OF SERIES 53R-2110 REGULATOR TO "PURGEMASTER" METER



**NOTES:**

1. ALL CONNECTIONS ARE 1/4 INCH NPT; TUBING IS 1/4 INCH OD.
2. REMOVE TUBE AND HOLD METER END FITTINGS WITH 7/8 INCH WRENCH WHILE ASSEMBLING FITTINGS TO METER.

SI 6299



SI 6300

## Replacement Parts List

<b>BASIC REGULATORS</b>		
<b>PART NUMBER</b>	<b>MATERIALS</b>	<b>DESCRIPTION</b>
802C029U01	Brass/Buna	Brass Regulator
802C031U01	SS/Viton	Stainless Steel Regulator

<b>BRACKETS &amp; SCREWS FOR WALL-MOUNTING</b>		
<b>PART NUMBER</b>	<b>MATERIALS</b>	<b>DESCRIPTION</b>
353B112S11	Steel, painted	Wall Bracket
004L004T10	SS	Screw (10-32 x 1/4) - 4 required per bracket

<b>PIPING KITS FOR IN-LINE OR PANEL-MOUNTED METER UNITS</b>		
<b>PART NUMBER</b>	<b>MATERIALS</b>	<b>DESCRIPTION</b>
614B738U01	Brass/Copper	Piping Kit for 3" Meter
614B738U05	Brass/Copper	Piping Kit for 5" Meter
614B738U09	Brass/Copper	Piping Kit for 10" Meter
614B738U03	SS	Piping Kit for 3" Meter
614B738U07	SS	Piping Kit for 5" Meter
614B738U11	SS	Piping Kit for 10" Meter

<b>PIPING KITS FOR WALL-MOUNTED REGULATOR UNITS</b>		
<b>PART NUMBER</b>	<b>MATERIALS</b>	<b>DESCRIPTION</b>
614B738U02	Brass/Copper	Piping Kit for 3" Meter
614B738U06	Brass/Copper	Piping Kit for 5" Meter
614B738U10	Brass/Copper	Piping Kit for 10" Meter
614B738U04	SS	Piping Kit for 3" Meter
614B738U08	SS	Piping Kit for 5" Meter
614B738U12	SS	Piping Kit for 10" Meter