



GEH3471

Semi dust-tight Door Gasket Kits

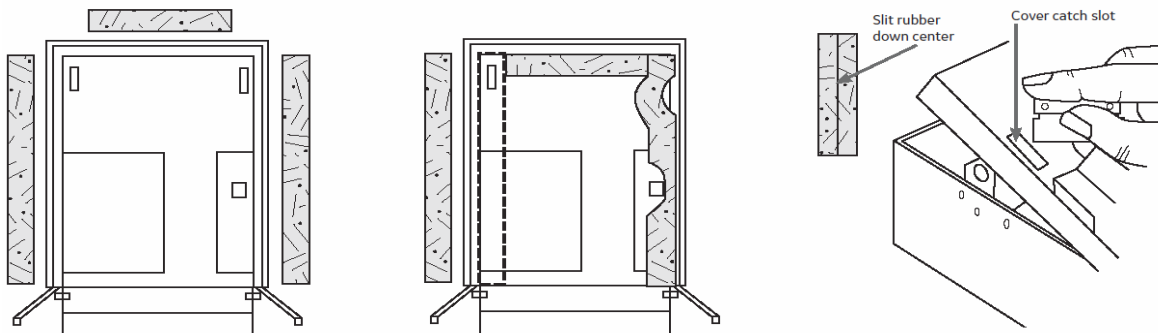
Door Gaskets



Hazards of electrical shock or burn! Turn off power before working inside this equipment.

Used with:

All NEMA 1&3R Switches/Can replace existing Gasket on all NEMA 5, 12, 4/4X



Step 1

- Cut rubber into three lengths.

Step 2

- Peel tape from length of rubber.
- Press adhesive side firmly against cover.
- Repeat for each length.

Step 3

- From outside of cover, carefully spilt rubber in the center of all slots. (Use sharp knife or razor blade).

Note: On 200A, 400A and 600A Heavy Duty devices, bend rubber to cover slot in cover. Press rubber between latch and edge of box. If you have 200A, 400A and 600A Outdoor Switches (Side Swing) use the remaining length of rubber for the fourth side of your cover.

