

ITE 7850 direct replacement circuit breaker

Vacuum upgrade for existing air-break contactor



The new ITE 7850 direct replacement circuit breaker is ABB's first retrofit for a third-party medium voltage motor starter application, upgrading the obsolete ITE 7850 air-break contactor.

01

01 Limitamp contactor customized to retrofit an ITE 7850 contactor

This new unit has been qualified by ABB and serves as a direct replacement for the original ITE 7850 unit, which may be up to 50 years of age. It extends the life of the existing installed base and helps reduce the risk of failure.

The ITE 7850 direct replacement circuit breaker targets customers in the heavy industrial and utility industries with medium voltage ITE 7850 motor controls and the ANSI/NEMA installed base in the U.S. and Canada.

Features

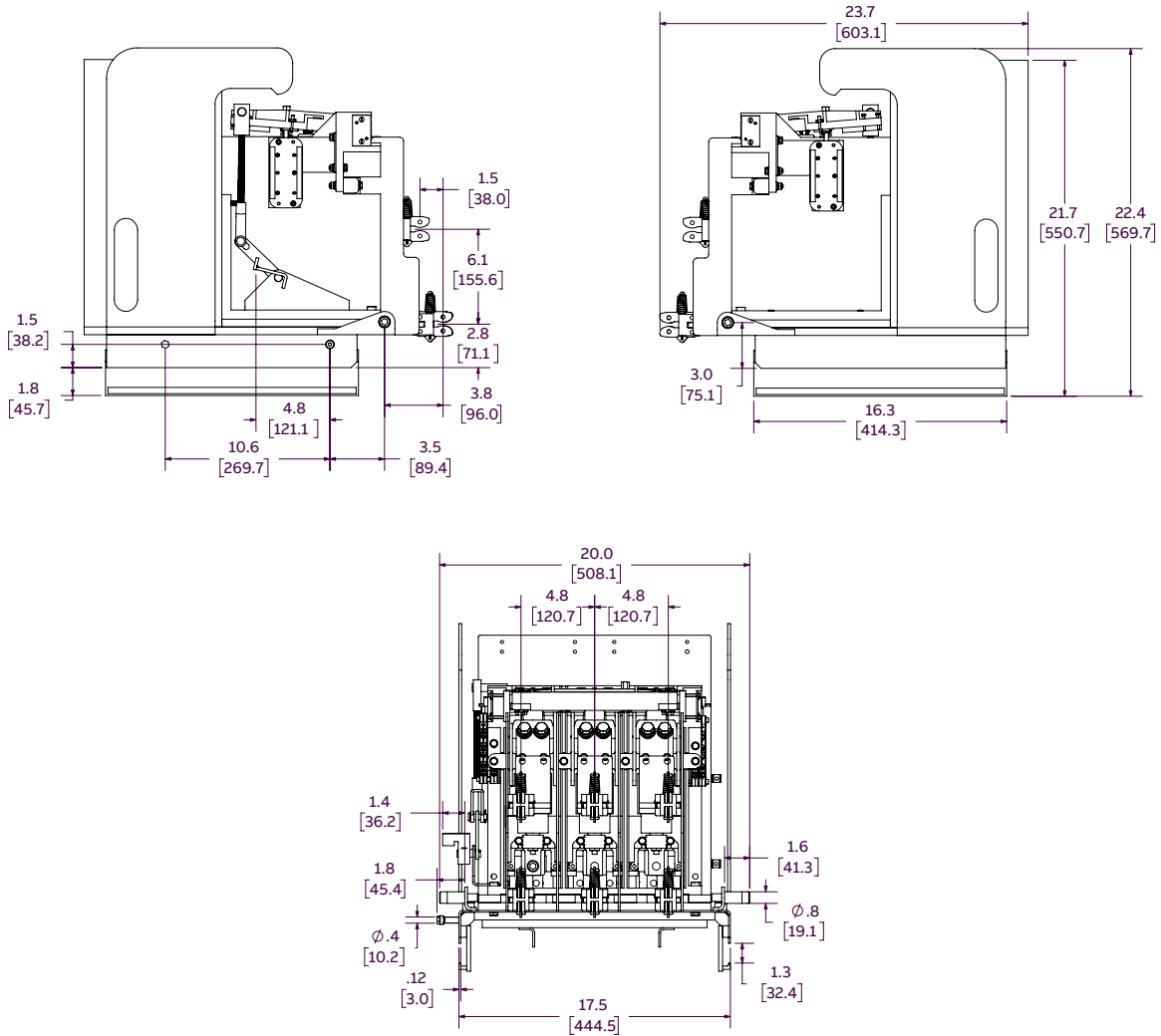
- Direct replacement circuit breaker
- Air-break to vacuum contactor upgrade
- Fast installation — no wiring required
- Compatible with ITE 7850 sections
- 50% faster delivery vs. new lineup
- 50% lower cost vs. new lineup

Direct replacement quotations

To obtain a quote for a direct replacement, drawings of the existing ITE 7850 equipment must be provided. With a photo of the equipment nameplate, the ABB factory in Florence, SC, can usually locate the original drawing package.

Benefits	Values	Cost drivers	Environmental
<ul style="list-style-type: none"> • Reduced risk of failure • Fast installation — no wiring required • Spare parts availability 	<ul style="list-style-type: none"> • Revenue drivers • Uptime • Reliability • Brand value 	<ul style="list-style-type: none"> • Lifespan extension • Spare parts availability • Improved uptime 	<ul style="list-style-type: none"> • Sustainability • Life extension • Reliability

Limitamp direct replacement contactor unit dimensions



When possible, dimensions for the existing ITE 7850 contactor should be validated prior to requesting a direct replacement quotation. Note that the door should not be open, and the contactor should not be removed for inspection unless the equipment is locked out and de-energized.

ABB Inc.
Electrification Service
305 Gregson Dr.
Cary, NC 27511

electrification.us.abb.com/service

We reserve the right to make technical changes or modify the contents of this document without prior notice. With regard to purchase orders, the agreed particulars shall prevail. ABB Inc. does not accept any responsibility whatsoever for potential errors or possible lack of information in this document.

We reserve all rights in this document and in the subject matter and illustrations contained therein. Any reproduction, disclosure to third parties or utilization of its contents – in whole or in parts – is forbidden without prior written consent of ABB Inc. Copyright© 2024 ABB All rights reserved