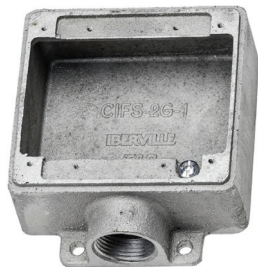

 TECHNICAL DATA SHEET

Device box, FS 2-gang

Weatherproof

Iberville®


Rugged outlet box to accept wiring devices, switches, electronic components, and terminal blocks.

Certifications / Standards:


Features:

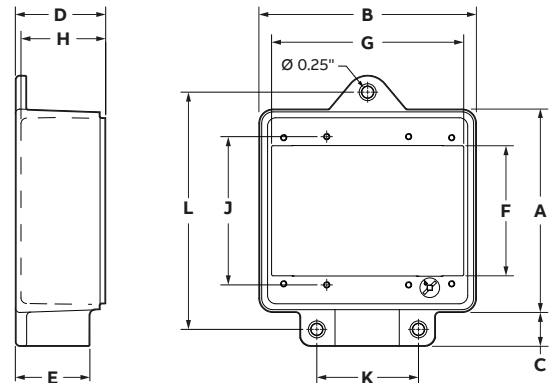
- Two gang design.
- 1 7/8 in. internal depth.
- 26 Cu. In. internal volume.
- Suitable for wet locations, when used with appropriate cover.
- External hub design that provides maximum wiring capacity.
- Precision NPT threaded hubs allow trouble free installation.

Applications:

- FS Boxes are installed to accept wiring devices, switches, electronic components and terminal blocks.
- FS Boxes provide spacious accessible wiring chambers.

Material:

- Sand cast, aluminum alloy A356.2



Product selection (inches)

Part no:	Hub size	A	B	C	D	E	F	G	H	J	K	L
CIFS-2G-1/2	1 x 1/2	4.50	4.81	0.75	2.00	1.25	2.88	4.25	1.88	3.28	2.25	5.25
CIFS-2G-3/4	1 x 3/4	4.50	4.81	0.75	2.00	1.53	2.88	4.25	1.88	3.28	2.25	5.25
CIFS-2G-1	1 x 1	4.50	4.81	0.75	2.00	1.65	2.88	4.25	1.88	3.28	2.25	5.25

Note: Product must be installed in accordance with applicable national and local electrical codes.