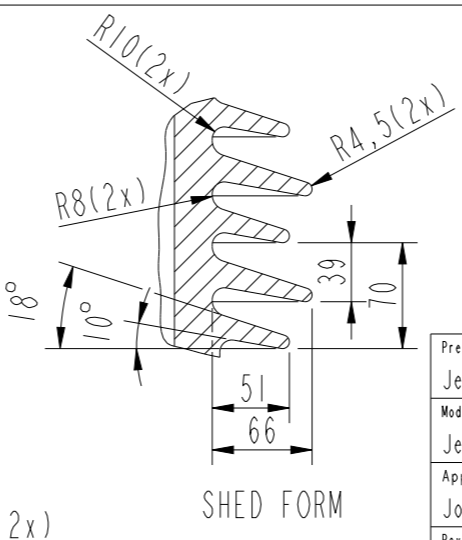
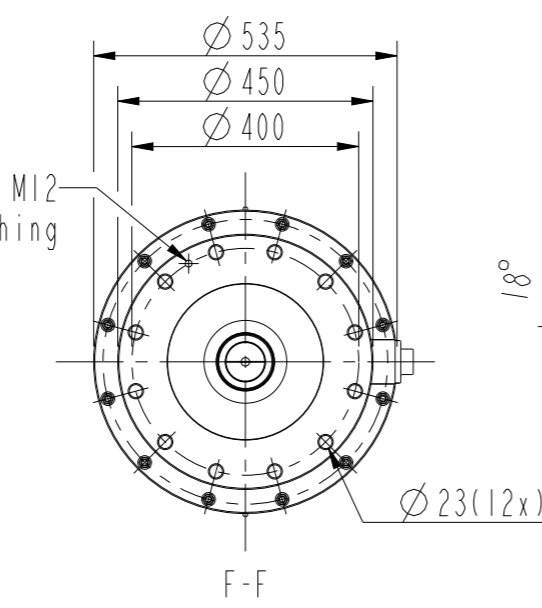
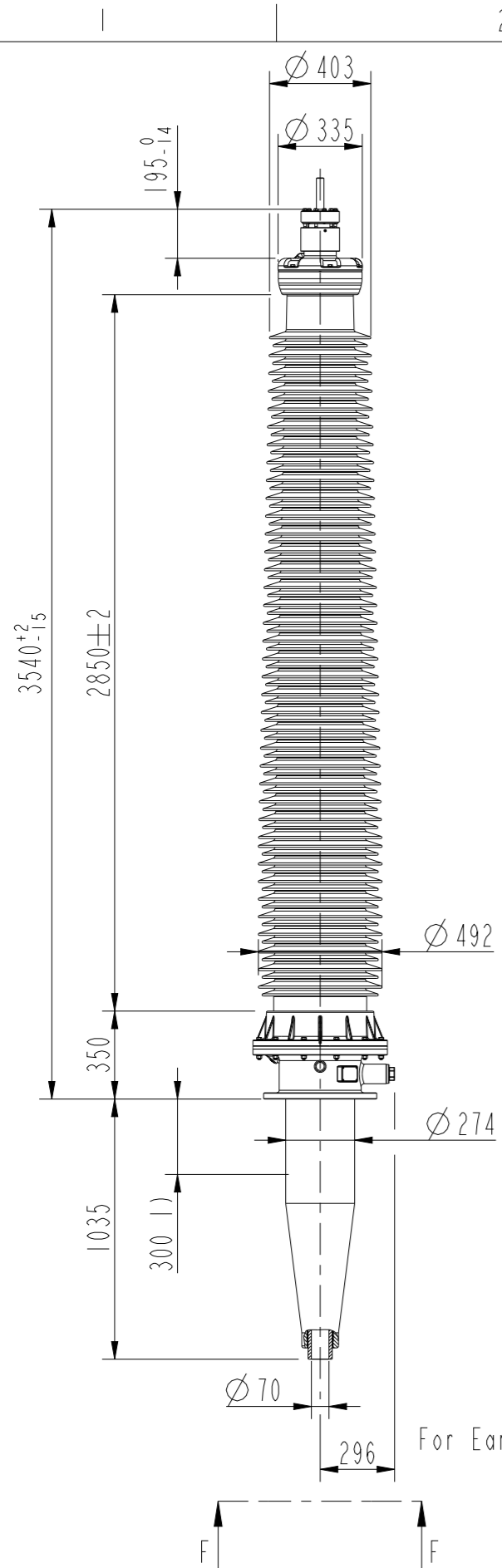


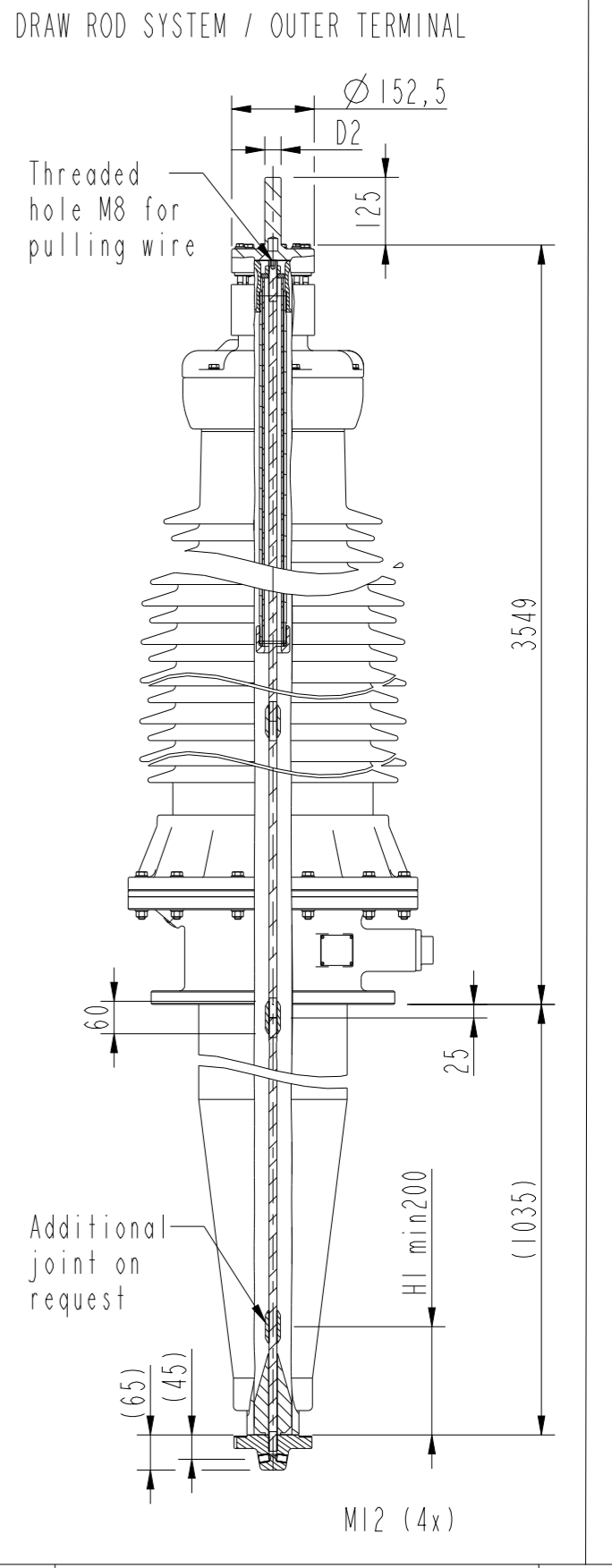
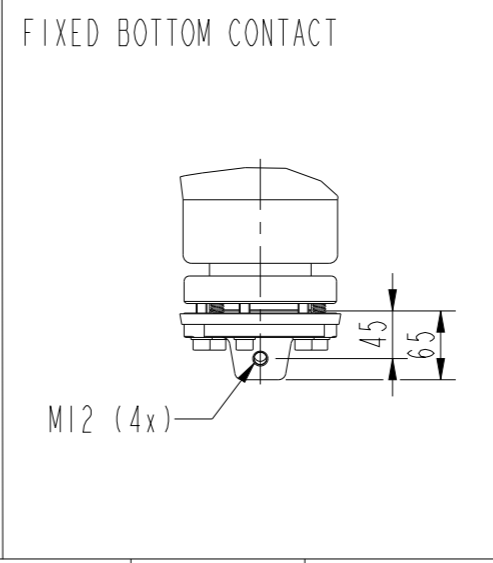
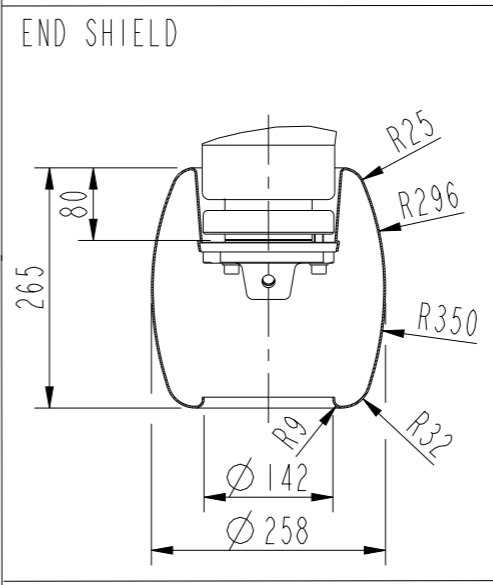
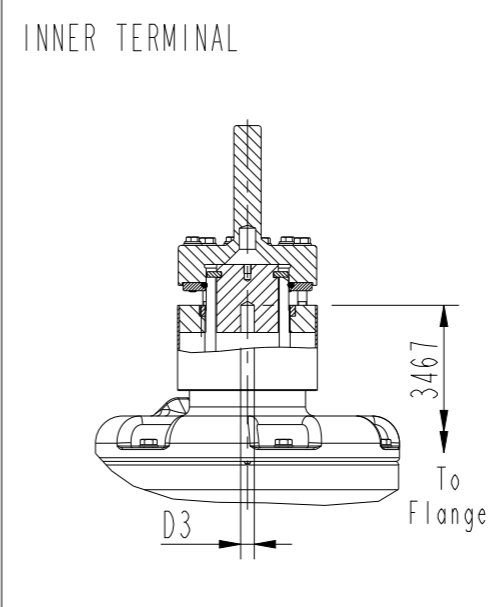
This document is issued by means of a computerized system. The digitally stored original is electronically approved. The approved document has a date entered in the 'Approved'-field. A manual signature is not required.

The information contained in this document has to be kept strictly confidential. Any unauthorized use, reproduction, distribution or disclosure to third parties are strictly forbidden. ABB reserves all rights regarding Intellectual Property Rights. © Copyright 2013 ABB. All rights reserved.



Bushings Data:		
Rated Voltage	362	kV
Phase-to-earth Voltage	220	kV
Dry Lightning Impulse 1,2/50µs	1175	kV
Wet Switching Impulse	950	kV
Wet Power Frequency AC	n.a.	kV
Routine test Imin dry 50Hz	561	kV
Rated Current	3150	A
Creepage Distance, nominal	10371	mm
Creepage Distance, minimum	9955	mm
Mass, Bushing	784	kg
Mass, incl. protective hood	816	kg

Ordering Data:		
<b>BUSHING</b>		AIR INSULATOR COLOUR/TYPE
IZSC901362 -ACA	Test tap	Brown / Porcelain
IZSC901362 -ADA	Voltage tap 6kV	Brown / Porcelain
IZSC901362 -BCA	Test tap	Light grey / Porcelain
IZSC901362 -BDA	Voltage tap 6kV	Light grey / Porcelain
<b>OUTER TERMINAL</b>		MATERIAL D2 (mm)
IZSC999001-AAA		Al 30
IZSC999001-AAB		Al 60
IZSC999001-AAC		Cu 30
IZSC999001-AAD		Cu 40
<b>DRAW ROD SYSTEM</b>		
IZSC999006	Lower draw rod	
IZSC999007	Upper draw rod	
<b>INNER TERMINAL</b>		D3 (mm)
IZSC999005-AAA		15
IZSC999005-AAB		30
IZSC999005-AAC		40
IZSC999005-AAD		42
<b>FIXED BOTTOM CONTACT</b>		
IZSC999002-AAE		
<b>END SHIELD</b>		Epoxy insulated
IZSC999003-AEA		



Prepared	Jesper Jansson	2017-05-15	Responsible department	PGCO/BK	Title	Bushing GSB 362/3150/0.3 Cu.	Language	82
Modified by	Jesper Jansson	2017-05-17	Take over department					
Approved by	Johan X Eriksson	2017-05-17	Used in product		Order	Genomföring GSB 362/3150/0.3 Cu.	Sheet no.	1
Revision	C	Rated current changed.						
Document no.						2751377-38	No. Shits.	(1)



1) Maximum length of CT.