

Installation Instructions

A-Series™ II Power Panelboard

ANKN160 Neutrals

Installation

If a bonding strap is required for service, begin with step 1. If a bonding strap is not required, begin the installation with step 2.

1. Insert the short leg of the bonding strap through the large hole in the mounting plate. Position the hole in the strap over the threaded hole in the bottom of the neutral. Secure with the 1/4-20 x 1/2" screw and conical washer provided. Snug the screw down but do not tighten it yet. To position the bonding strap, place the neutral assembly onto the mounting holes provided inside the enclosure and line up the long leg of the bonding strap with the appropriate hole in the box back. While maintaining the strap orientation, remove the neutral assembly and tighten the bonding strap to 45–50 in.-lbs.

NOTE: If the box is painted, scratch through the paint in the area where the bonding strap contacts the enclosure.

2. Mount the neutral at either location in the corner of the panelboard enclosure as shown in Figure 1. Place the neutral over the mounting holes provided inside the enclosure and tighten the neutral assembly using 4 no's of #10-32 screws as shown in Figure.1 using torque of 27-32 in.-lbs.
3. Secure the bond strap to the enclosure with the #10-32 X 3/8" SEMS screw provided. Tighten to 27–32 in.-lbs.
4. Install the wire barrier into the neutral base, with the flange side facing the neutral bus, as shown in Figure 2. The label is located on the side of the wire barrier opposite the flange.
5. Press the wire barrier down firmly until the neutral base restraining clip locks the wire barrier into place.

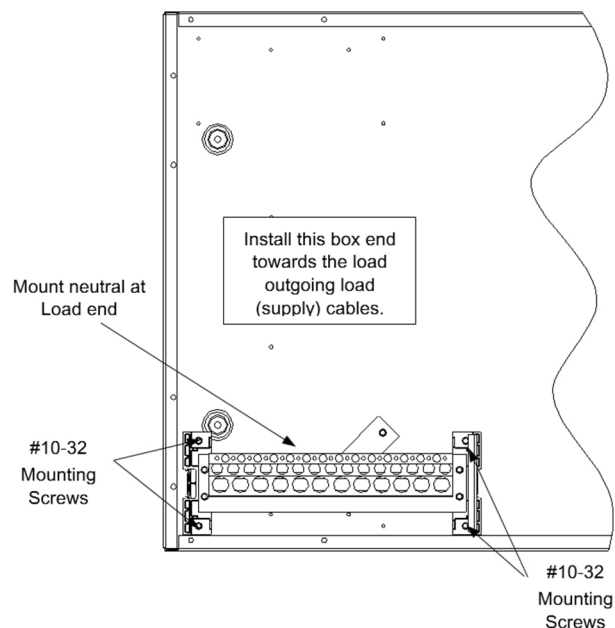


Figure 1. Neutral mounted in the enclosure.

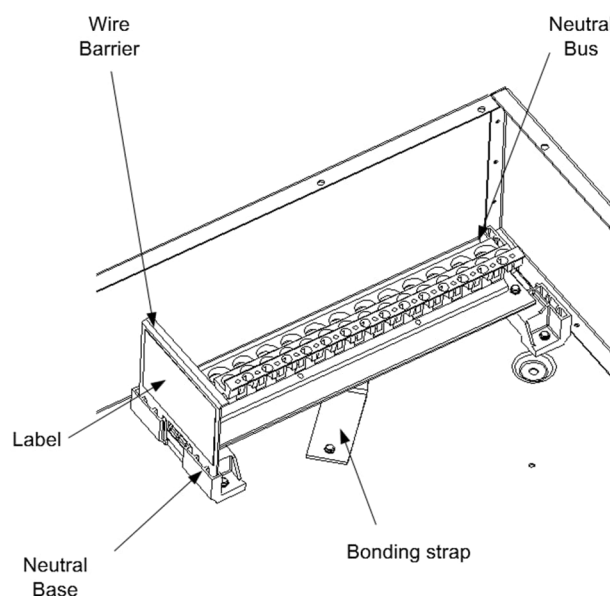


Figure 2. Wire barrier installed in the neutral

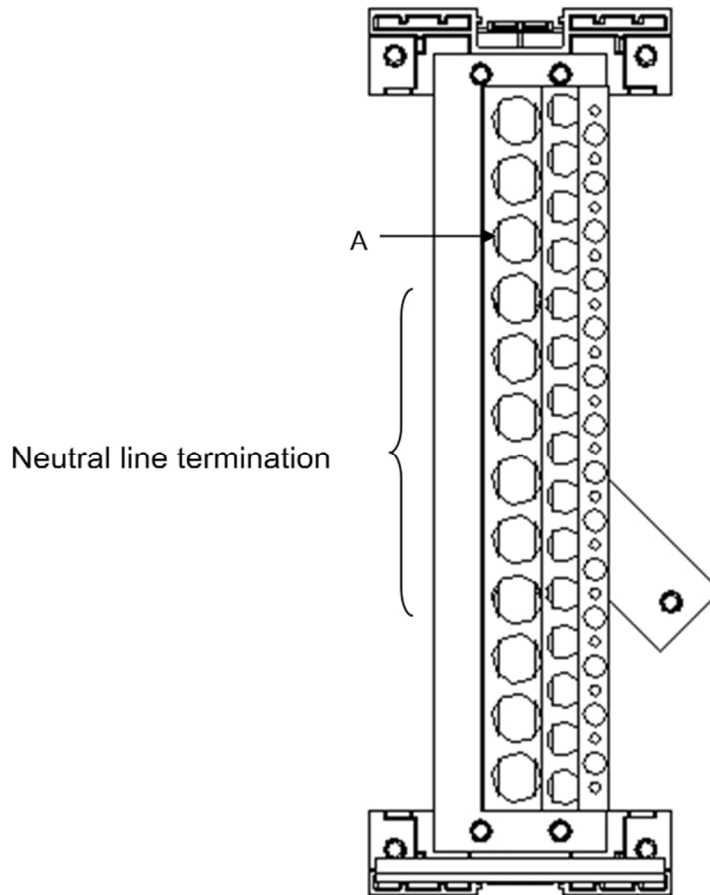


Figure 3. Neutral line terminations

6. Central 6 holes ("A") can be used for incoming neutral line terminations as shown in Figure 3. Load terminations can be done at rest of the remaining holes.

These instructions do not cover all details or variations in equipment, nor do they provide for every possible contingency that may be met in connection with installation, operation, or maintenance. Should further information be desired, or should problems arise that are not covered sufficiently for the purchaser's purposes, the matter should be referred to the ABB Company.