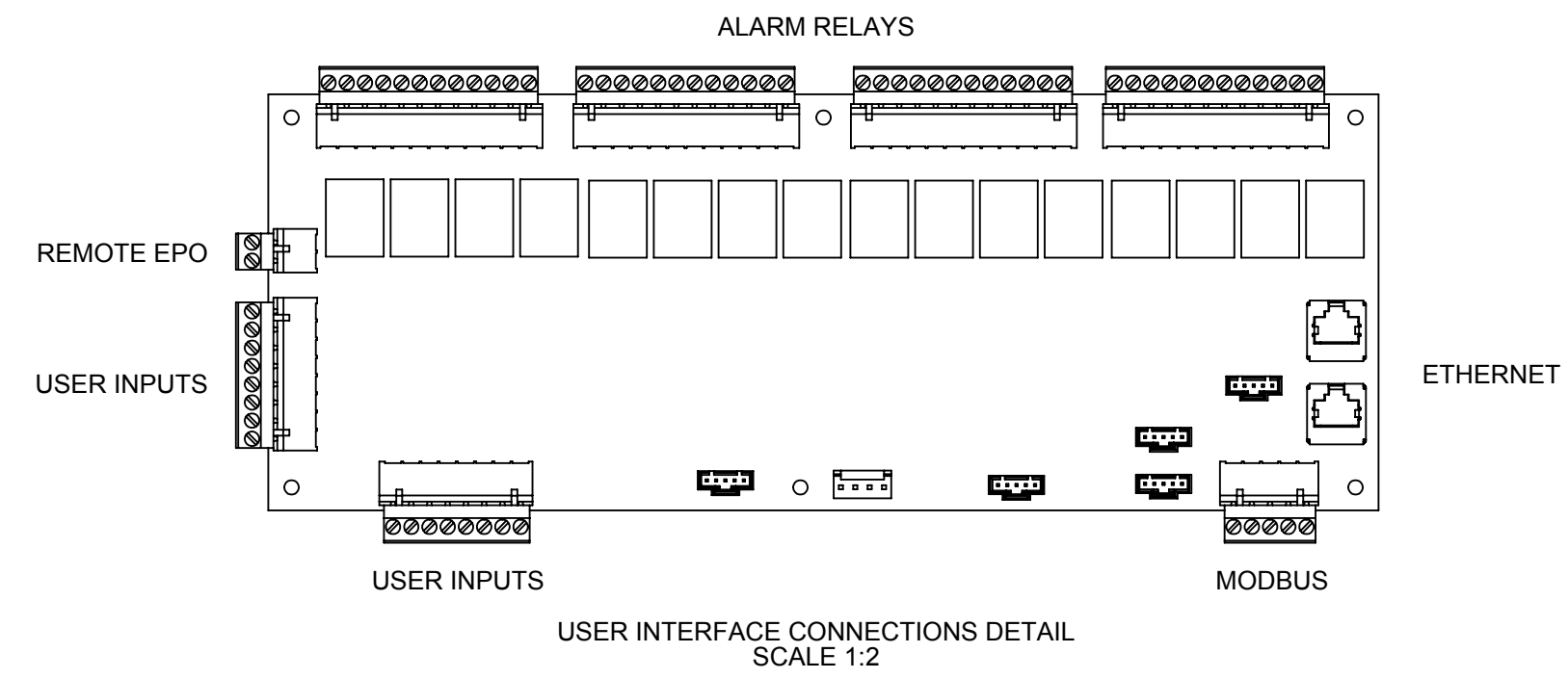
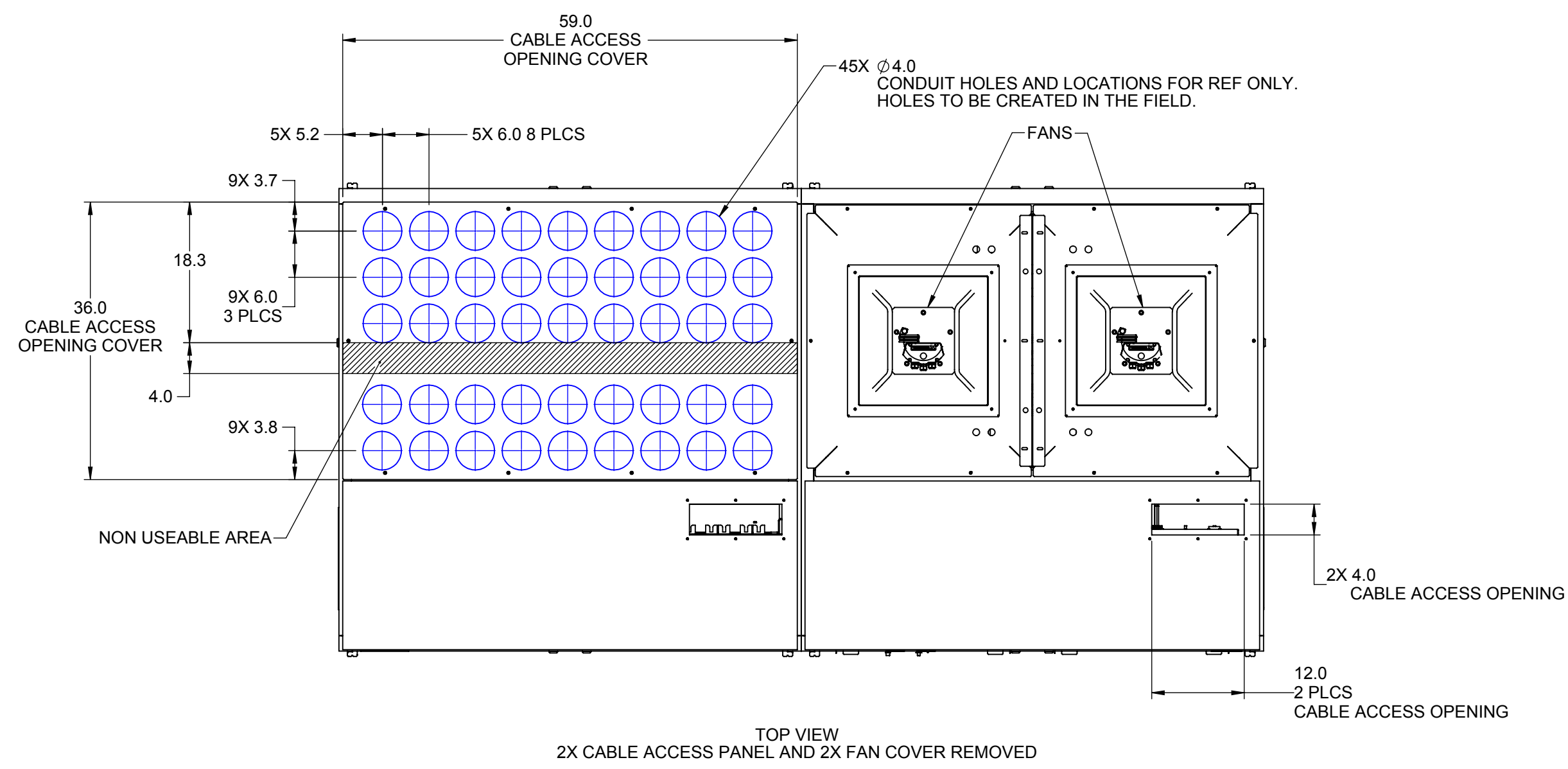
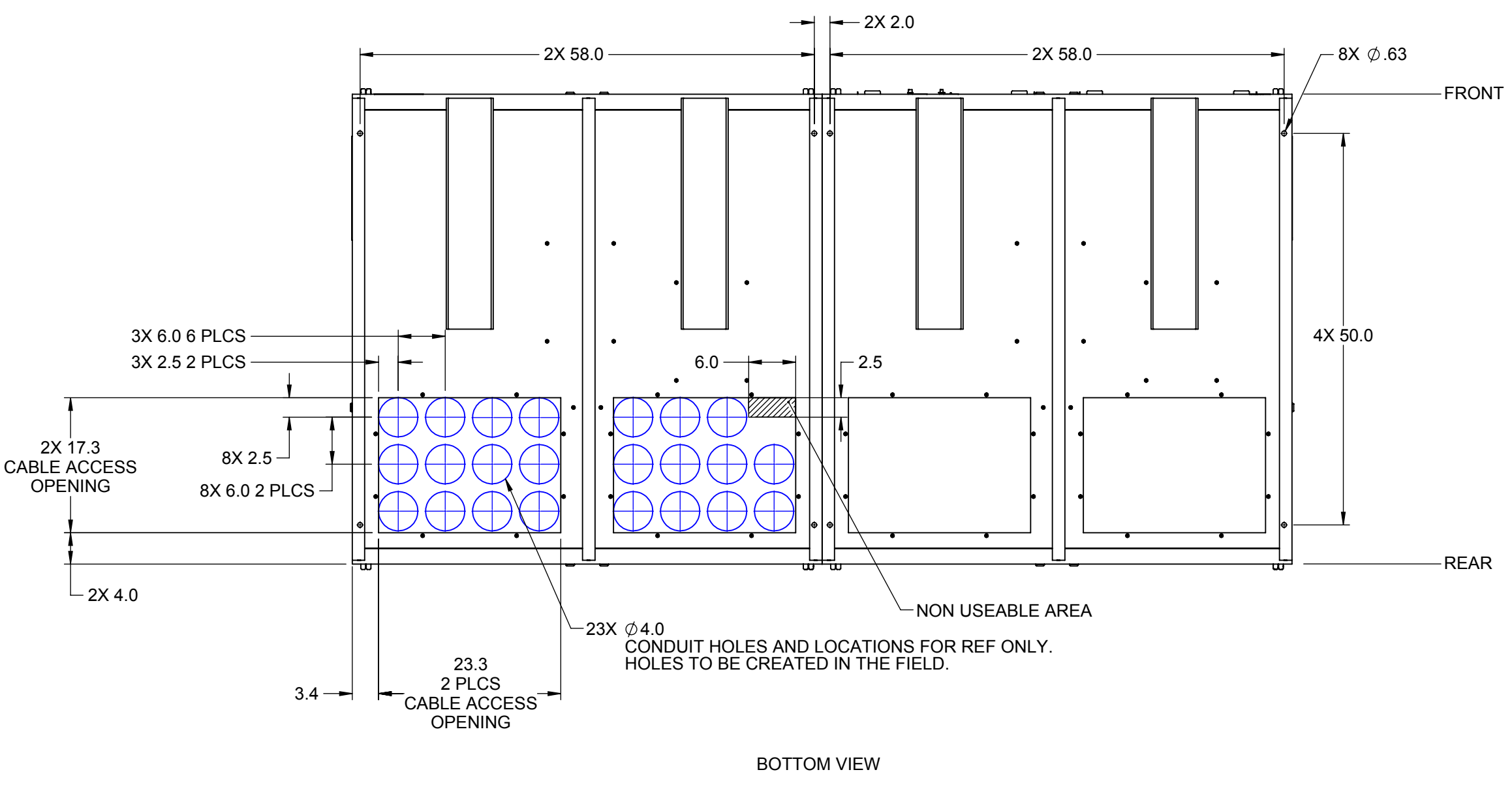
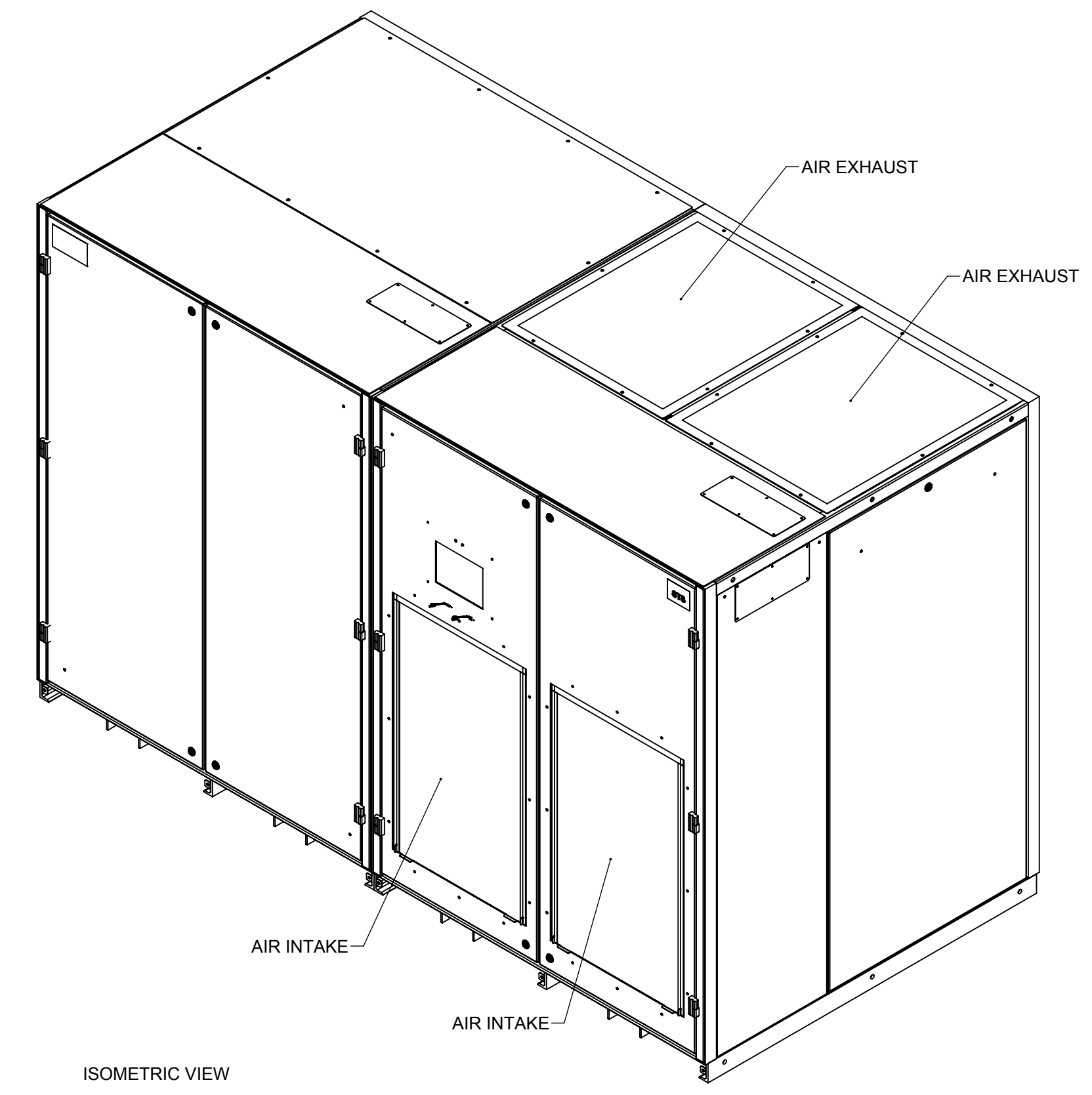
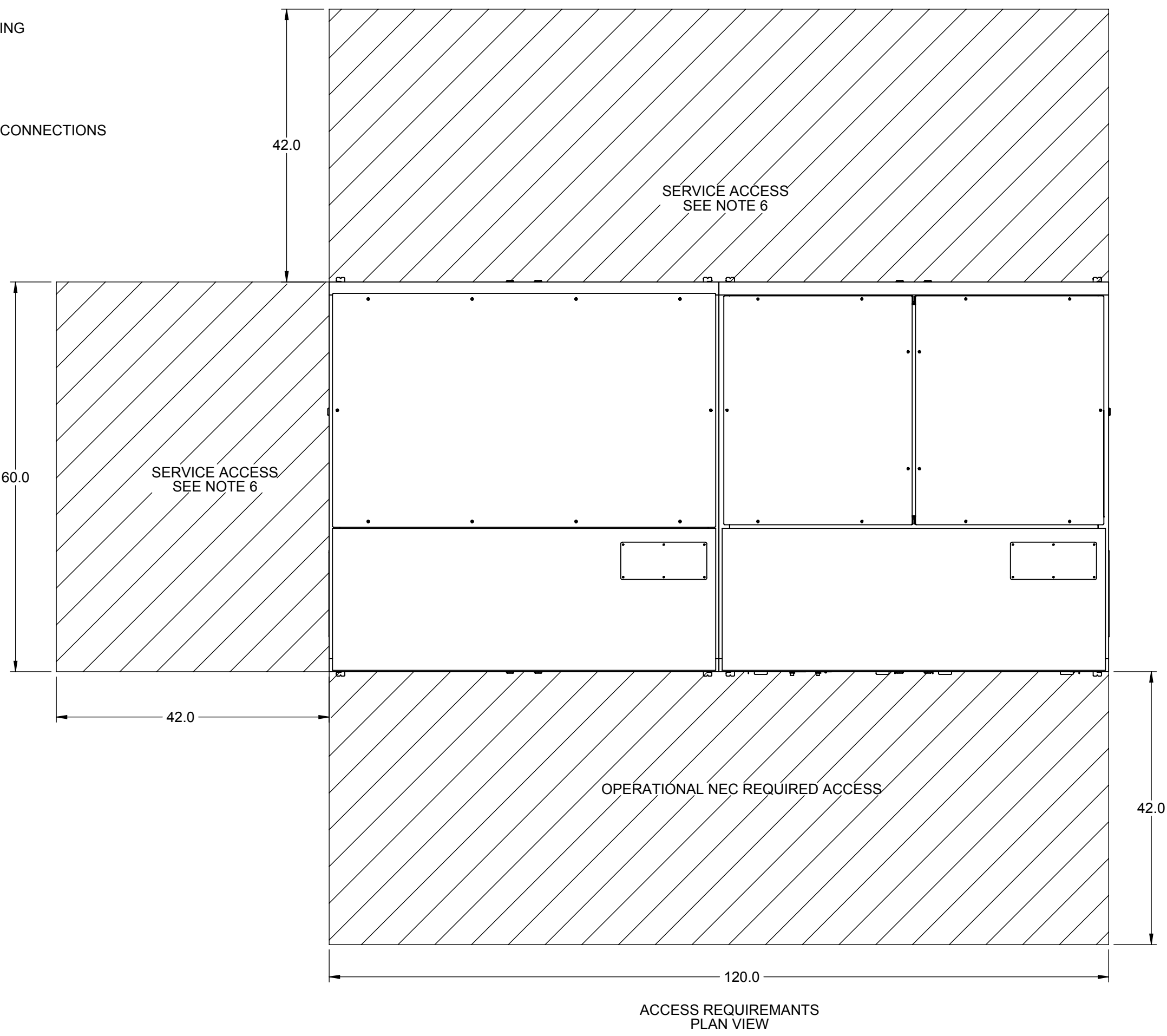
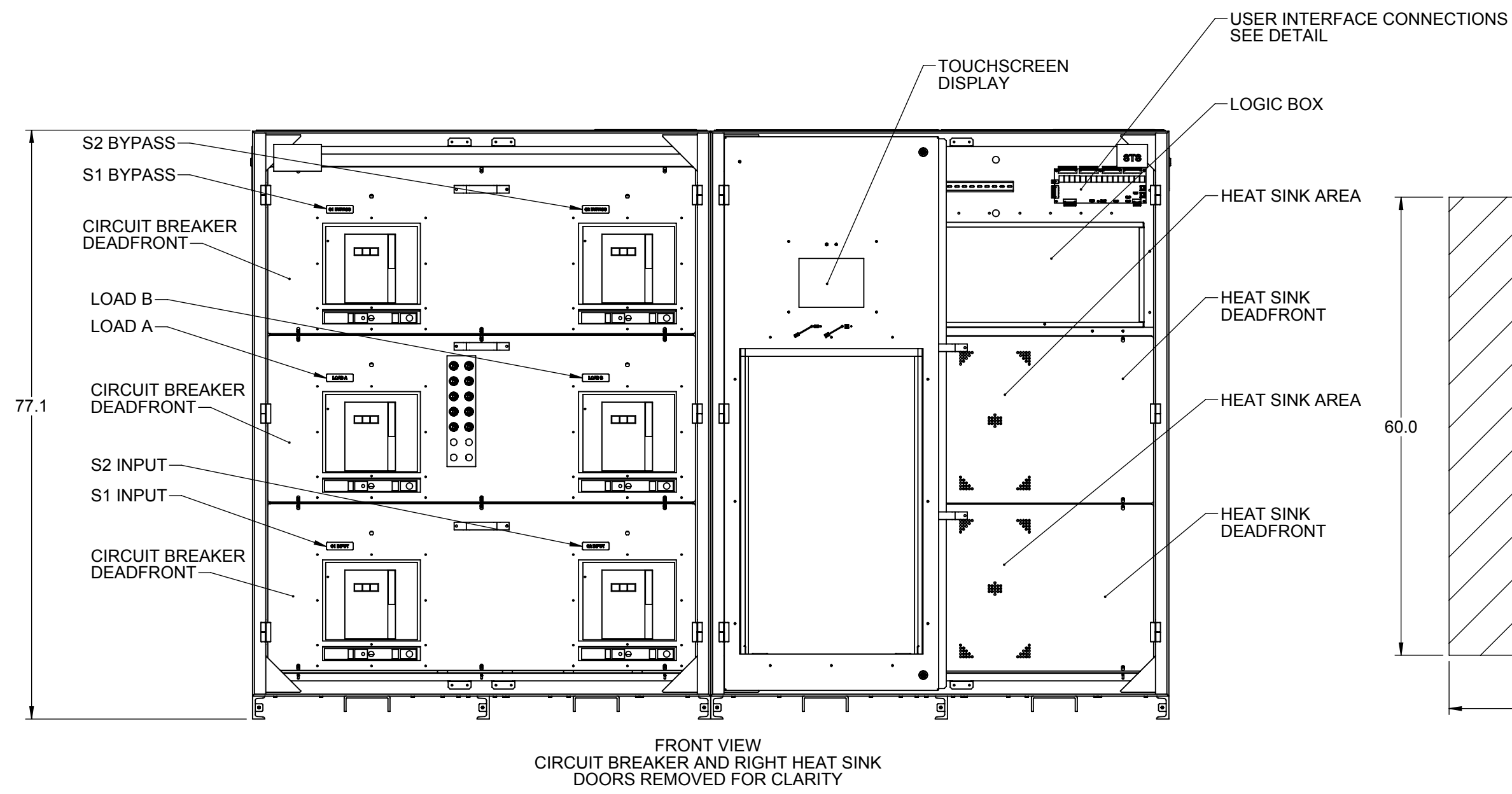


We reserve all rights in this document and in the information contained therein. Reproduction, use or disclosure to third parties without express authority is strictly forbidden. © Copyright 2014 ABB.



- NOTES:
1. INSTALLATION SHALL COMPLY WITH ALL APPLICABLE NATIONAL, STATE, AND LOCAL CODES.
 2. REFER TO PRODUCT DOCUMENTATION FOR ADDITIONAL DETAILS PRIOR TO SITE PREPARATION OR INSTALLATION.
 3. OPERATING TEMPERATURE RANGE: 0° TO 40° C.
 4. SYSTEM COOLING REQUIREMENTS: EXHAUST AIR COOLED.
 5. SYSTEM WEIGHT: = 6560 LBS (2982 kg)
 6. OPERATIONAL ACCESS VIA FRONT DOORS. MAINTENANCE AND CONNECTION ACCESS VIA FRONT DOORS AND REMOVEABLE SIDE PANEL OR REAR DOORS (DEPENDING ON ACCESS - SEE NOTE 7).
 7. RECOMMENDED MINIMUM CLEARANCES:
 - FRONT = 42"
 - REAR = 42"
 - LEFT = 42"
 - RIGHT = 0"
 - TOP = 60"
 8. SYSTEM MUST HAVE ALL PANELS AND DOORS INSTALLED FOR PROPER OPERATION.
 9. FINISH: FRAME AND OUTER PANELS, POWDER COAT INTERIOR, GALVANIZED ZINC ELECTROPLATE.
 10. CABLE ENTRY:
 - TOP ENTRY - TOP EXIT
 - BOTTOM ENTRY - BOTTOM EXIT
 - TOP ENTRY - BOTTOM EXIT
 - BOTTOM ENTRY - TOP EXIT, CONSULT FACTORY
 11. BUSBAR TERMINALS FURNISHED WITH NEMA 2-HOLE LANDINGS. SEE SHEET 2 DETAILS A, B, AND C.
 12. 2000A DESIGNED FOR CABLE SIZES UP TO 6X 750 MCM PER PHASE.



Part must comply with company doc. 94-10-000001. Interpret drawing in accordance with ASME Y14.5-2009.		Document Kind Outline	Title DWG: OUTLINE, 2000A SS4	Units Inch	Sheet Size D
Tolerance X.XX = None X.XXX = ±.030	Prepared PLH	Reference N/A	Revision Table	Scale 1:16	Item Rev. A00
	Approved GTM		Item No. 94-9200-00000189	Date Drawn 11/20/2017	Date 11/20/2017
	Division/Dept. DMPC/Power Protection	ABB	Document ID 94-9200-00000189	Doc. Rev. A00	Page 1 / 2

We reserve all rights in this document and in the information contained therein. Reproduction, use or disclosure to third parties without express authority is strictly forbidden. © Copyright 2014 ABB.

