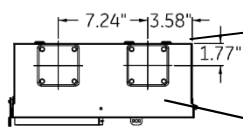
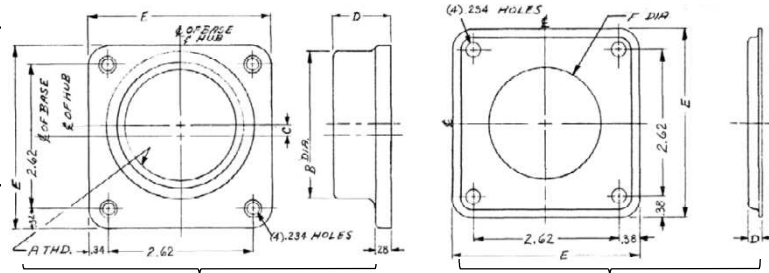


Top View



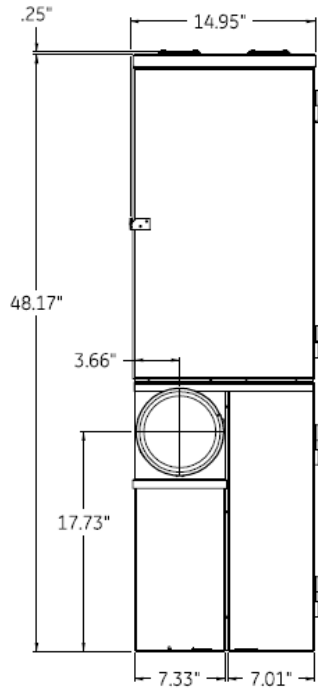
Hub Dimensions



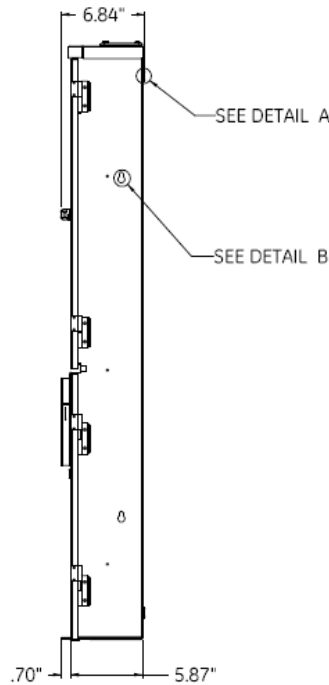
Available Hubs

Cat#	Mod#	A-THD	B-DIA	C	D	E
TC75	2	"1/4-14"	1.31	0.81	1.03	3.31
TC100	2	"1 - 11 1/2"	1.53	0.69	1.03	3.31
TC125	2	"1 1/4 - 11 1/2"	1.88	0.53	1.03	3.31
TC150	2	"1 1/2 - 11 1/2"	2.12	0.42	1.03	3.31
TC200	2	"2 - 11 1/2"	2.62	0.2	1.03	3.31
TC250	2	"2 1/2 - 8"	3.19	NONE	1.22	3.31
TCCP Closing Cap	1	NONE	NONE	NONE	0.25	3.38

Front View



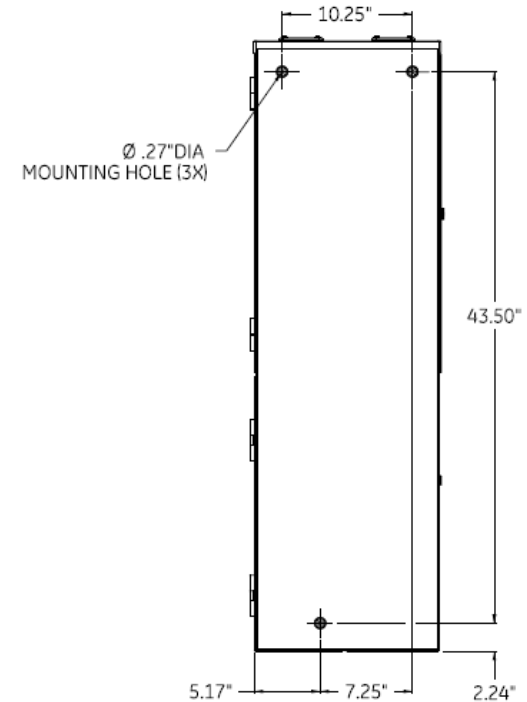
Side View



Hub

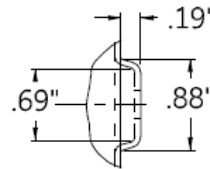
Closing Cap

Back View

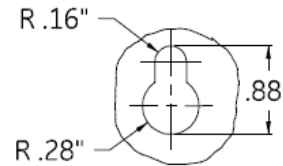


Main Wire Size

1 - 250MCM (AL/CU)



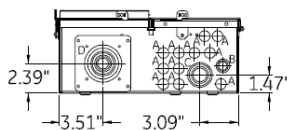
Detail A



Detail B

SIDE MOUNTING HOLE (4X)

Bottom View



All DIMENSIONS HAVE +/- .125 TOLERANCE

SYMBOL	SIZE	QTY.
A	1/2 KO	11
B	3/8 X 1/2 X 3/4 KO	1
C	3/4 X 1 X 1 1/4 X 1 1/2 KO	1
D	1/2 X 3/4 X 1 X 1 1/4 X 1 1/2 X 2 X 2 1/2 KO	1



imagination at work

Main Breaker THQMV- Ring - 200 22K - 32/40 Circuits
N3R Encl Surface Front - UG Incoming Feed -EUSERC Listed

CAT NO

DWG DATE

REV #

TSM3220USCU

6/4/2015

01